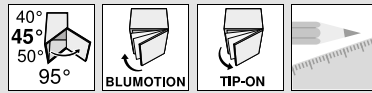




► **CLIP top BLUMOTION / CLIP top – hinges**
 ►► **Angled application – standard**



+45° III – angled hinge full overlay



- **CLIP top BLUMOTION** with integrated **BLUMOTION** (with deactivation option)
- **CLIP top** without closing mechanism (spring)
- All metal hinge, nickel plated
- +45° III angled hinge
- 95° opening angle
- 3-dimensional front adjustment
- Convenient spiral-tech depth adjustment
- Tool-free door to cabinet assembly and removal
- With **INSERTA** tool-free hinge to door assembly

Webcode
DQDSNY

Page instructions			
Angled application	Angle		
	40°	45°	50°
	N° 23 151	N° 24 153	N° 25 151
	N° 108 154	N° 53 151	N° 54 151
	N° 8 154	N° 9 153	N° 10 153
	N° 43 154	N° 44 155	N° 45 155
	N° 109 155	N° 60 151	N° 61 151
Overview – angled applications			148

Order information

Boss Hinge	INSERTA Spring	Part no.
CLIP top BLUMOTION	●	79B9498
● With spring	○ Unsprung	

Boss Hinge	Screw-on Spring	Part no.
CLIP top BLUMOTION	●	79B9458
CLIP top	○	78A9458.T

a Accessories		
Hinge arm cover cap		
Print/Stamp	Logo	Part no.
Plain	–	70.1553
Screen print	Blum	70.1553.BL

Hinge boss cover cap	
Hinge	Part no.
CLIP top BLUMOTION	70T3504
CLIP top	70T1504

TIP-ON for doors		
Version	Spring	Part no.
Short version	○	956.1004
Extended version	○	956A1004
Extended version	●	956A1006
● With spring	○ Unsprung	

Chipboard screws		
Ø (mm)	Length (mm)	Part no.
3.5	15	609.1500
3.5	17	609.1700

Note

CLIP top BLUMOTION and CLIP top hinges cannot be combined with each other on a front.

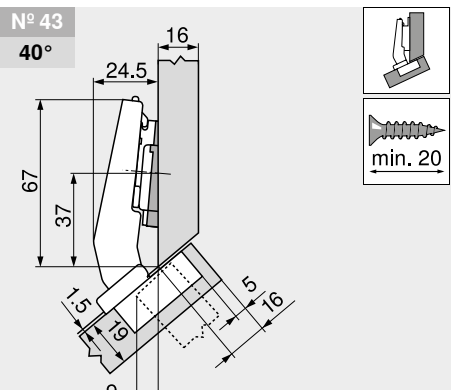
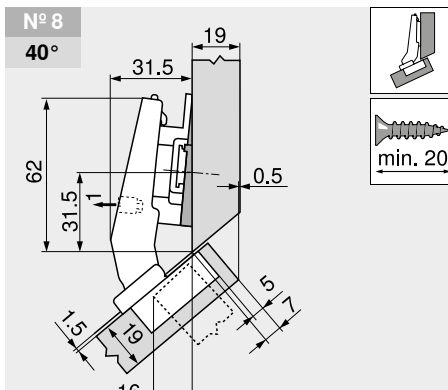
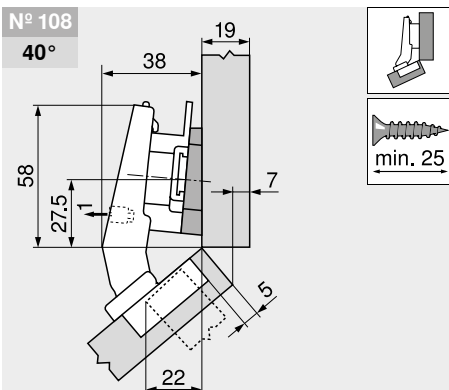
Page instructions

Overview – CLIP top BLUMOTION / CLIP top – hinges	107	Accessories – general	194	More technical details	774
Mounting plates	186	Overview – TIP-ON for doors	653		
Accessories – hinge arm cover cap	193	Assembly, removal and adjustment	196		
		Overview – assembly devices	683		

Planning

Note

These dimensions are based on a 19 mm thick door and cabinet. The application changes in cases of deviation. In these cases a trial is recommended. Some applications require the mounting plate to be moved from the standard fixing positions.



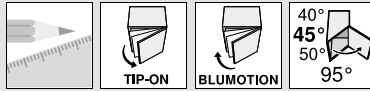
Description	Spacing (mm)	Part no.
Mounting plate	9	175H7190
Angled spacer	+5°	171A5040

The angle wedge is installed rotated by 180° (arrow points to the cabinet)!

Description	Spacing (mm)	Part no.
Mounting plate	6	175H9160
Angled spacer	-5°	171A5500

Description	Spacing (mm)	Part no.
Mounting plate	0	173H7100
Angled spacer	-5°	171A5500

CLIP top BLUMOTION / CLIP top – hinges \blacktriangleleft
 Angled application – standard $\blacktriangleleft\blacktriangleleft$



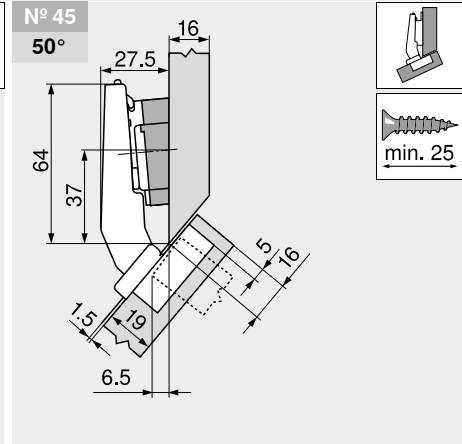
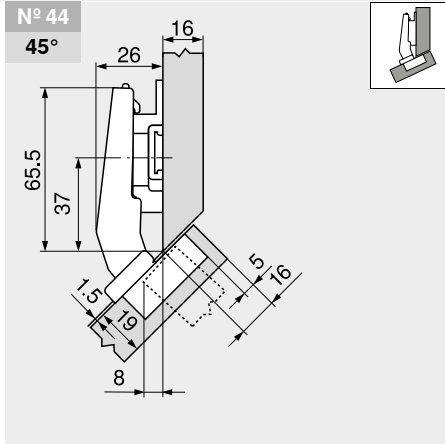
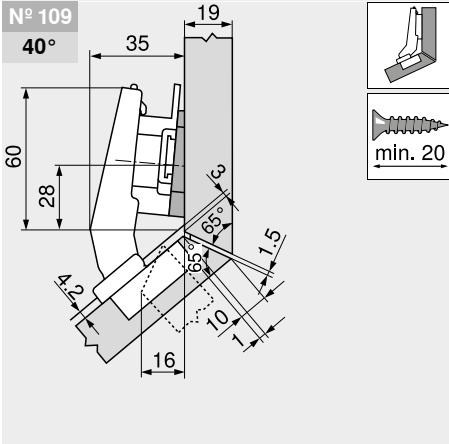
Hinge systems

Hinge systems

+45° III – angled hinge full overlay

Webcode
 DQDSNY

Planning



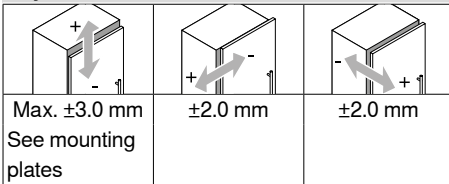
Description	Spacing (mm)	Part no.
Mounting plate	9	175H7190
Angled spacer	+5°	171A5010

The angle wedge is installed rotated by 180° (arrow points to the cabinet).

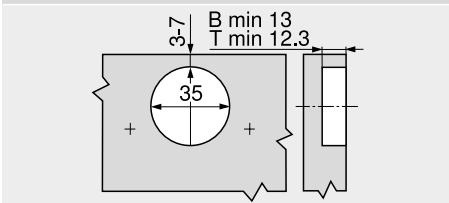
Description	Spacing (mm)	Part no.
Mounting plate	6	175H9160

Description	Spacing (mm)	Part no.
Mounting plate	0	173H7100
Angled spacer	+5°	171A5070

Adjustment

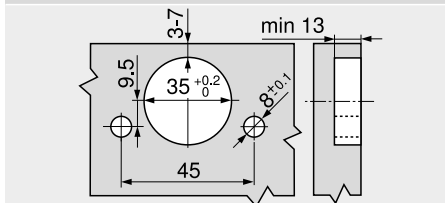


Screw-on

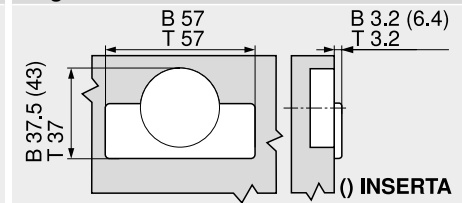


B	CLIP top BLUMOTION
T	CLIP top

INSERTA



Hinge boss dimensions



B	CLIP top BLUMOTION
T	CLIP top