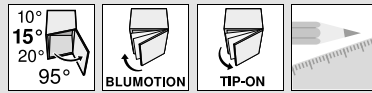




► **CLIP top BLUMOTION / CLIP top – hinges**
 ►► **Angled application – standard**



+15° III – angled hinge full overlay



- **CLIP top BLUMOTION** with integrated **BLUMOTION** (with deactivation option)
- **CLIP top** without closing mechanism (spring)
- All metal hinge, nickel plated
- +15° III angled hinge
- 95° opening angle
- 3-dimensional front adjustment
- Convenient spiral-tech depth adjustment
- Tool-free door to cabinet assembly and removal
- With **INSERTA** tool-free hinge to door assembly

Webcode
DQDVHA

Page instructions			
Angled application	Angle		
	10°	15°	20°
	N° 17 162	N° 18 160	N° 19 161
	N° 47 162	N° 48 160	N° 49 161
	N° 2 162	N° 3 163	N° 4 161
	N° 37 163	N° 38 163	N° 39 163
		N° 55 160	N° 56 161
Overview – angled applications			148

Order information

Boss Hinge	INSERTA Spring	Part no.
CLIP top BLUMOTION	●	79B9494
● With spring	○ Unsprung	

Boss Hinge	Screw-on Spring	Part no.
CLIP top BLUMOTION	●	79B9454
CLIP top	○	78A9454.T

a Accessories		
Print/Stamp	Logo	Part no.
Plain	–	70.1553
Screen print	Blum	70.1553.BL

Hinge boss cover cap	
Hinge	Part no.
CLIP top BLUMOTION	70T3504
CLIP top	70T1504

TIP-ON for doors		
Version	Spring	Part no.
Short version	○	956.1004
Extended version	○	956A1004
Extended version	●	956A1006
● With spring	○ Unsprung	

Chipboard screws		
Ø (mm)	Length (mm)	Part no.
3.5	15	609.1500
3.5	17	609.1700

Note

CLIP top BLUMOTION and CLIP top hinges cannot be combined with each other on a front.

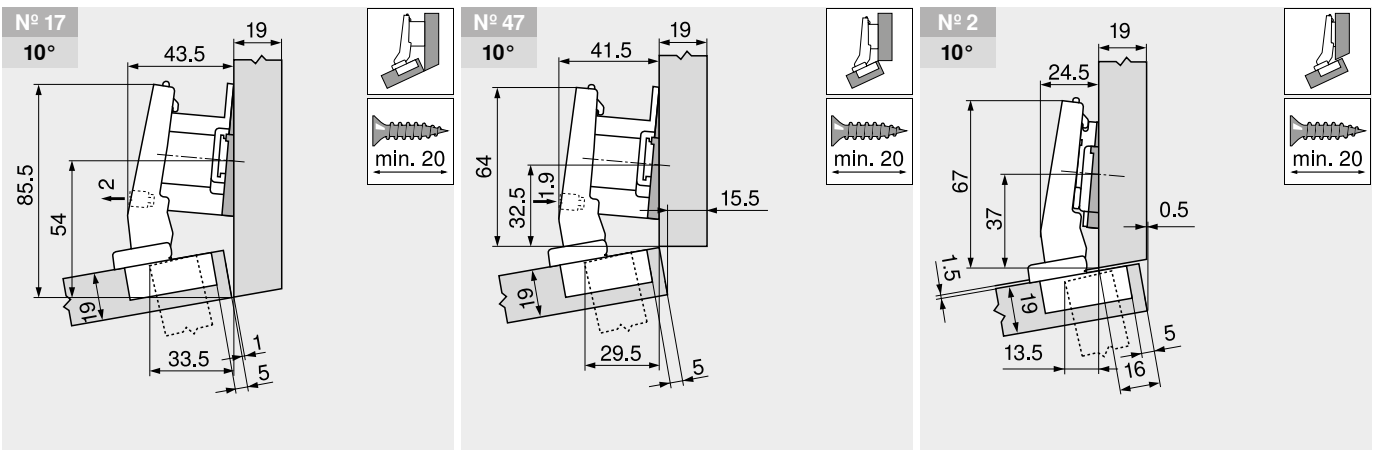
Page instructions

Overview – CLIP top BLUMOTION / CLIP top – hinges	107	Accessories – general	194	More technical details	774
Mounting plates	186	Overview – TIP-ON for doors	653		
Accessories – hinge arm cover cap	193	Assembly, removal and adjustment	196		
		Overview – assembly devices	683		

Planning

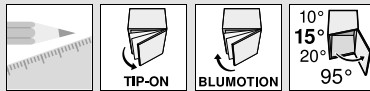
Note

These dimensions are based on a 19 mm thick door and cabinet. The application changes in cases of deviation. In these cases a trial is recommended. Some applications require the mounting plate to be moved from the standard fixing positions.



Description	Spacing (mm)	Part no.	Description	Spacing (mm)	Part no.	Description	Spacing (mm)	Part no.
Mounting plate	18	175H7190.22	Mounting plate	18	175H7190.22	Mounting plate	0	173H7100
Angled spacer	-5°	171A5500	Angled spacer	-5°	171A5500	Angled spacer	-5°	171A5500

CLIP top BLUMOTION / CLIP top – hinges \blacktriangleleft
 Angled application – standard $\blacktriangleleft\blacktriangleleft$



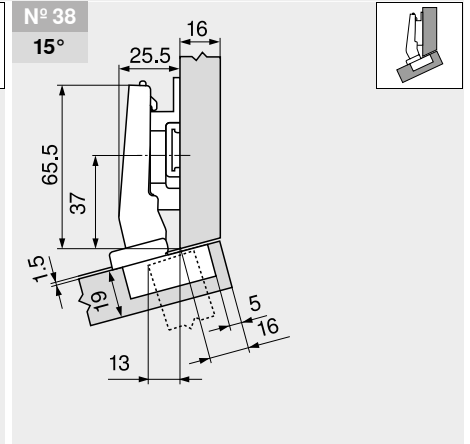
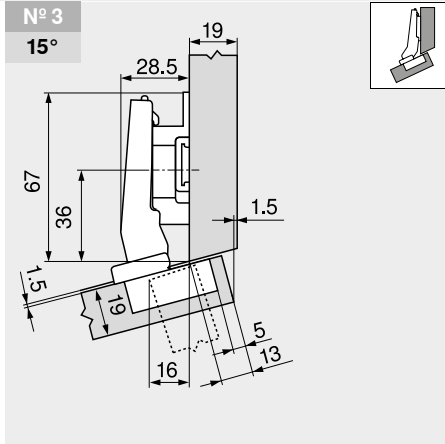
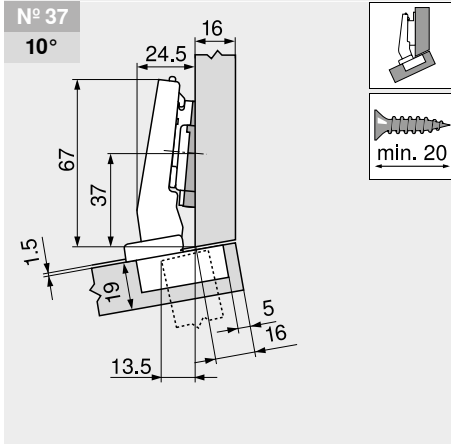
Hinge systems

Hinge systems

+15° III – angled hinge full overlay

Webcode
 DQDVHA

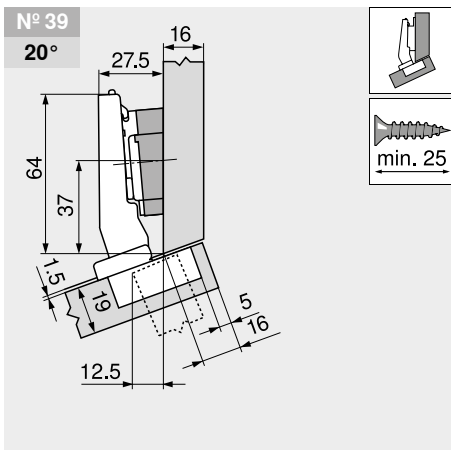
Planning



Description	Spacing (mm)	Part no.
Mounting plate	0	173H7100
Angled spacer	-5°	171A5500

Description	Spacing (mm)	Part no.
Mounting plate	9	175H7190

Description	Spacing (mm)	Part no.
Mounting plate	6	175H9160

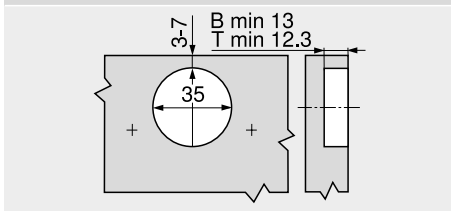


Description	Spacing (mm)	Part no.
Mounting plate	0	173H7100
Angled spacer	+5°	171A5070

Adjustment

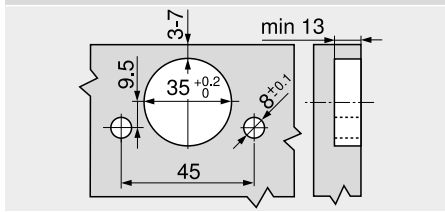
Max. ±3.0 mm	±2.0 mm	±2.0 mm
See mounting plates		

Screw-on

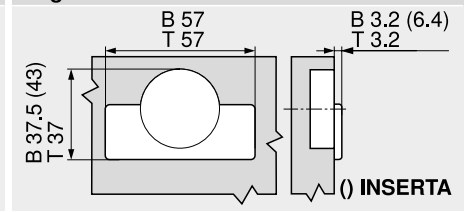


B	CLIP top BLUMOTION
T	CLIP top

INSERTA



Hinge boss dimensions



B	CLIP top BLUMOTION
T	CLIP top