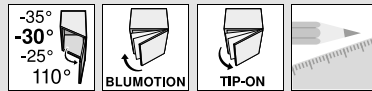




- ▶ CLIP top BLUMOTION / CLIP top – hinges
- ▶▶ Angled application – standard



-30° III – angled hinge full overlay



- CLIP top BLUMOTION with integrated BLUMOTION (with deactivation option)
- CLIP top without closing mechanism (spring)
- All metal hinge, nickel plated
- -30° III angled hinge
- 110° opening angle
- 3-dimensional front adjustment
- Convenient spiral-tech depth adjustment
- Tool-free door to cabinet assembly and removal
- With INSERTA tool-free hinge to door assembly

Webcode
DQDXLA

Page instructions				
Angled application	Angle	-35°	-30°	-25°
				N° 11 168
		N° 29 168	N° 30 168	N° 31 169
Overview – angled applications				148

Order information

Boss Hinge	INSERTA Spring	Part no.
CLIP top BLUMOTION	●	79B3491
	○ With spring	○ Unsprung

Boss Hinge	Screw-on Spring	Part no.
CLIP top BLUMOTION	●	79B3451
CLIP top	○	78A5451.T

a Accessories		
Print/Stamp	Logo	Part no.
Plain	–	70.1553
Screen print	Blum	70.1553.BL

Hinge boss cover cap	
Hinge	Part no.
CLIP top BLUMOTION	70T3504
CLIP top	70T1504

TIP-ON for doors		
Version	Spring	Part no.
Short version	○	956.1004
Extended version	○	956A1004
Extended version	●	956A1006
	○ With spring	○ Unsprung

Chipboard screws		
Ø (mm)	Length (mm)	Part no.
3.5	15	609.1500
3.5	17	609.1700

Note

CLIP top BLUMOTION and CLIP top hinges cannot be combined with each other on a front.

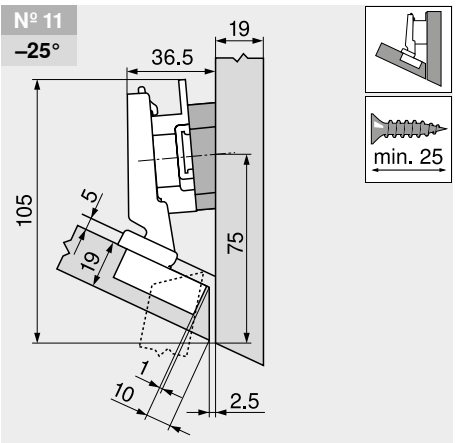
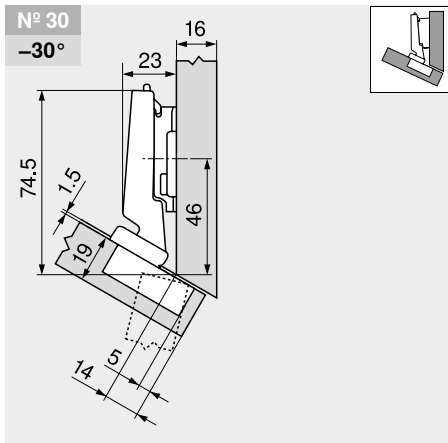
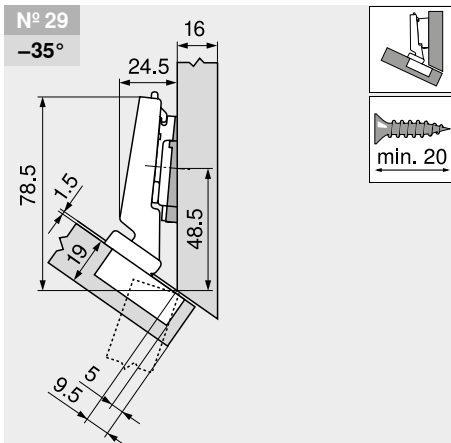
Page instructions

Overview – CLIP top BLUMOTION / CLIP top – hinges	107	Accessories – general	194	More technical details	774
Mounting plates	186	Overview – TIP-ON for doors	653		
Accessories – hinge arm cover cap	193	Assembly, removal and adjustment	196		
		Overview – assembly devices	683		

Planning

Note

These dimensions are based on a 19 mm thick door and cabinet. The application changes in cases of deviation. In these cases a trial is recommended. Some applications require the mounting plate to be moved from the standard fixing positions.



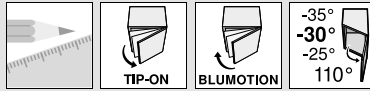
Description	Spacing (mm)	Part no.
Mounting plate	0	173H7100
Angled spacer	-5°	171A5500

Description	Spacing (mm)	Part no.
Mounting plate	3	173H7130

Description	Spacing (mm)	Part no.
Mounting plate	9	175H7190
Angled spacer	+5°	171A5070

CLIP top BLUMOTION / CLIP top – hinges ◀
 Angled application – standard ◀◀

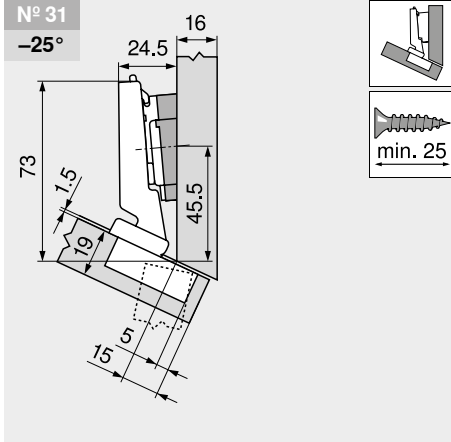
Hinge systems



-30° III – angled hinge full overlay

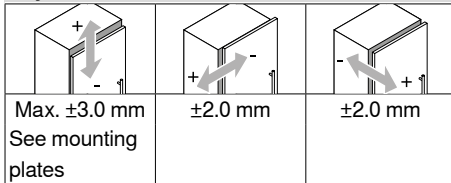
Webcode
 DQDXLA

Planning

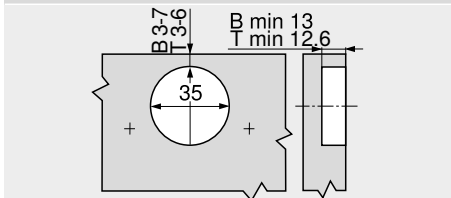


Description	Spacing (mm)	Part no.
Mounting plate	0	173H7100
Angled spacer	+5°	171A5040

Adjustment

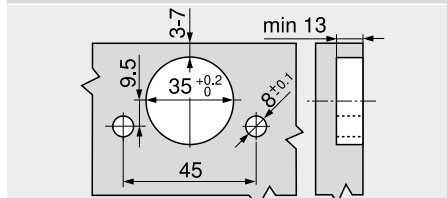


Screw-on

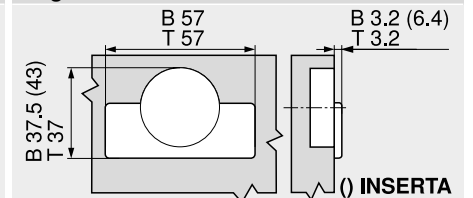


B	CLIP top BLUMOTION
T	CLIP top

INSERTA



Hinge boss dimensions



B	CLIP top BLUMOTION
T	CLIP top