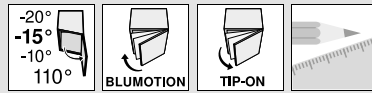




- ▶ CLIP top BLUMOTION / CLIP top – hinges
- ▶▶ Angled application – standard



## -15° III – angled hinge full overlay



- CLIP top BLUMOTION with integrated BLUMOTION (with deactivation option)
- CLIP top without closing mechanism (spring)
- All metal hinge, nickel plated
- -15° III angled hinge
- 110° opening angle
- 3-dimensional front adjustment
- Convenient spiral-tech depth adjustment
- Tool-free door to cabinet assembly and removal
- With INSERTA tool-free hinge to door assembly

Webcode  
DQDWVY

Page instructions			
Angled application	Angle		
	-20°	-15°	-10°
	N° 12	N° 13	N° 14
	166	166	167
	N° 32	N° 33	N° 34
	166	167	167

Overview – angled applications 148

### Order information

Boss Hinge	INSERTA Spring	Part no.
CLIP top BLUMOTION	●	79B3493
	○ With spring    ○ Unsprung	

Boss Hinge	Screw-on Spring	Part no.
CLIP top BLUMOTION	●	79B3453
CLIP top	○	78A5453.T

a Accessories		
Hinge arm cover cap		
Print/Stamp	Logo	Part no.
Plain	–	70.1553
Screen print	Blum	70.1553.BL

Hinge boss cover cap	
Hinge	Part no.
CLIP top BLUMOTION	70T3504
CLIP top	70T1504

TIP-ON for doors		
Version	Spring	Part no.
Short version	○	956.1004
Extended version	○	956A1004
Extended version	●	956A1006
	○ With spring    ○ Unsprung	

Chipboard screws		
Ø (mm)	Length (mm)	Part no.
3.5	15	609.1500
3.5	17	609.1700

### Note

CLIP top BLUMOTION and CLIP top hinges cannot be combined with each other on a front.

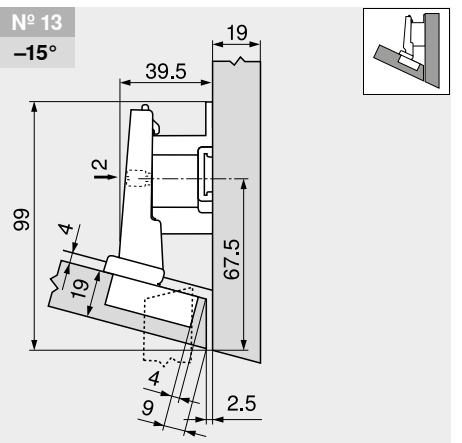
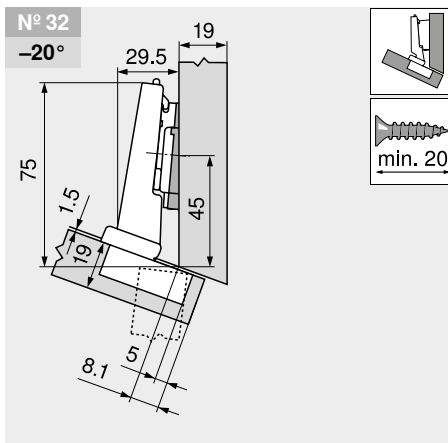
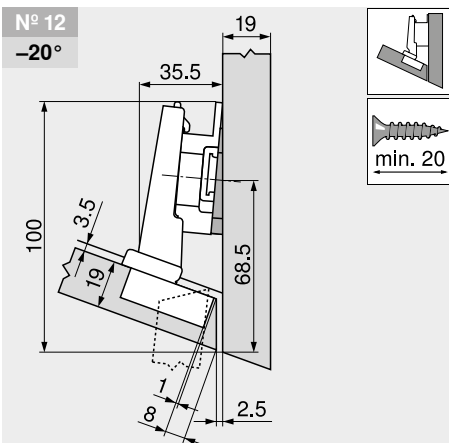
### Page instructions

Overview – CLIP top BLUMOTION / CLIP top – hinges	107	Accessories – general	194	More technical details	774
Mounting plates	186	Overview – TIP-ON for doors	653		
Accessories – hinge arm cover cap	193	Assembly, removal and adjustment	196		
		Overview – assembly devices	683		

### Planning

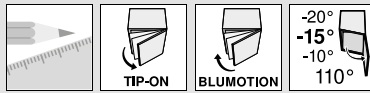
#### Note

These dimensions are based on a 19 mm thick door and cabinet. The application changes in cases of deviation. In these cases a trial is recommended. Some applications require the mounting plate to be moved from the standard fixing positions.



Description	Spacing (mm)	Part no.	Description	Spacing (mm)	Part no.	Description	Spacing (mm)	Part no.
Mounting plate	6	175H9160	Mounting plate	0	173H7100	Mounting plate	18	175H7190.22
Angled spacer	-5°	171A5500	Angled spacer	-5°	171A5500			

CLIP top BLUMOTION / CLIP top – hinges <math>\blacktriangleleft</math>  
 Angled application – standard <math>\blacktriangleleft\blacktriangleleft</math>



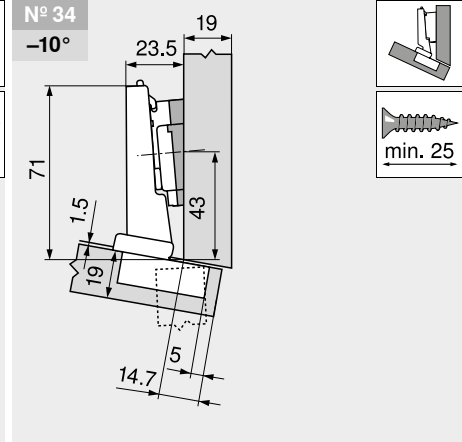
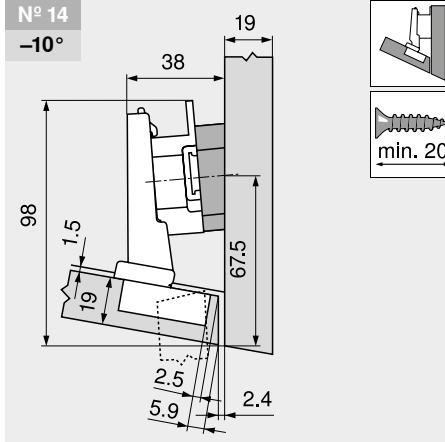
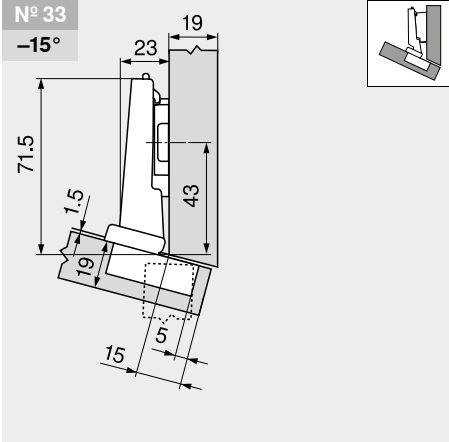
Hinge systems

Hinge systems

-15° III – angled hinge full overlay

Webcode  
 DQDWVY

Planning

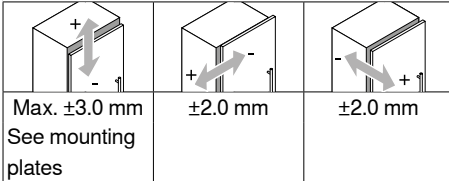


Description	Spacing (mm)	Part no.
Mounting plate	0	173H7100

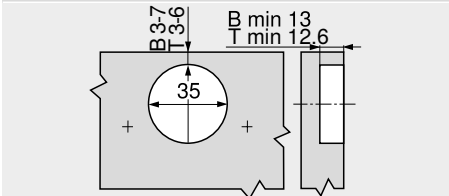
Description	Spacing (mm)	Part no.
Mounting plate	9	175H7190
Angled spacer	+5°	171A5070

Description	Spacing (mm)	Part no.
Mounting plate	0	173H7100
Angled spacer	+5°	171A5010

Adjustment

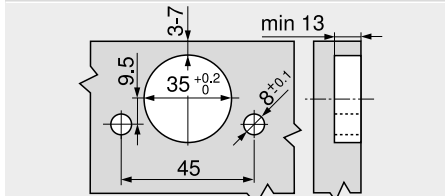


Screw-on

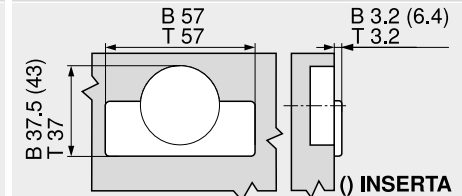


B	CLIP top BLUMOTION
T	CLIP top

INSERTA



Hinge boss dimensions



B	CLIP top BLUMOTION
T	CLIP top