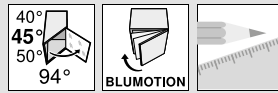


Hinge systems



- ▶ CLIP top BLUMOTION / CLIP top – hinges
- ▶▶ Angled application – glass door



Hinge systems

+45° angled hinge for glass doors



- Glass door hinge
- For glass thickness 4.5–7 mm
- CLIP top with closing mechanism (spring)
- +45° angled hinge
- 94° opening angle
- 3-dimensional front adjustment
- Convenient spiral-tech depth adjustment
- Tool-free door to cabinet assembly and removal
- Boss fixing screws are included

Page instructions				
Angled application	Angle			
	40°	45°	50°	
	N° 74	N° 75	N° 76	
	174	174	175	
		N° 67	N° 68	
		174	175	
Overview – angled applications				148

Order information

Boss Hinge	Screw-on Spring	Part no.
CLIP top	●	79A4108.T
● With spring	○ Unsprung	

Accessories	
	BLUMOTION 970A
Version	Part no.
For drilling	970A1002

TIP-ON for doors		
Version	Spring	Part no.
Extended version	●	956A1006
● With spring	○ Unsprung	

Hinge arm cover cap		
Print/Stamp	Logo	Part no.
Plain	–	70.1553
Screen print	Blum	70.1553.BL

Hinge boss cover cap			
Colour			Part no.
S G CR NI-M			84.4120
S	Black	G	Gold plated
CR	Chrome plated	NI-M	Matt nickel

Hinge boss cover cap			
Colour			Part no.
S G CR NI-M			84.4140

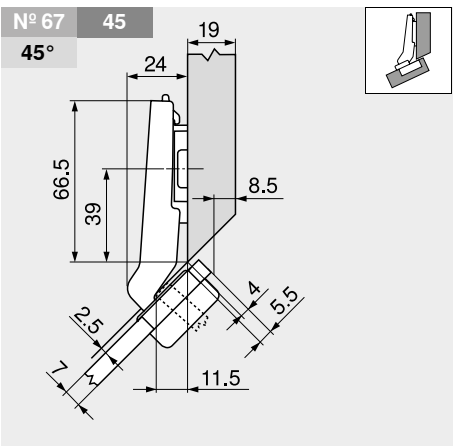
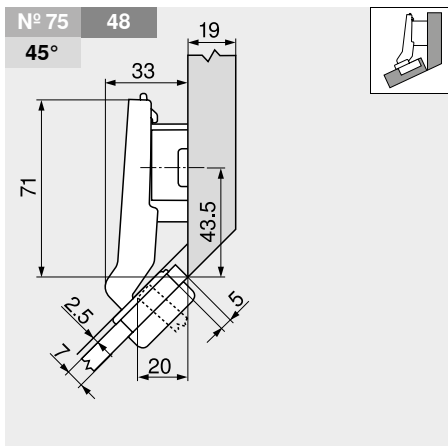
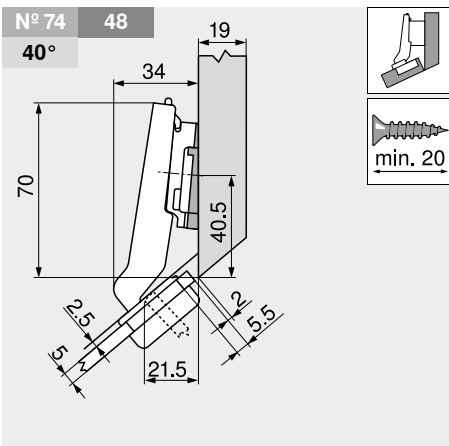
Page instructions

Overview – CLIP top BLUMOTION / CLIP top – hinges	107	Accessories – general	194	More technical details	774
Mounting plates	186	Overview – BLUMOTION for doors	539		
Accessories – hinge arm cover cap	193	Assembly, removal and adjustment	196		
		Overview – assembly devices	683		

Planning

Note

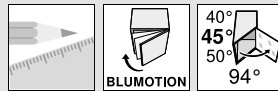
These dimensions are based on a 19 mm thick cabinet. The application changes in cases of deviation. In these cases a trial is recommended. Some applications require the mounting plate to be moved from the standard fixing positions.



Description	Spacing (mm)	Part no.
Mounting plate	3	173H7130
Angled spacer	-5°	171A5500

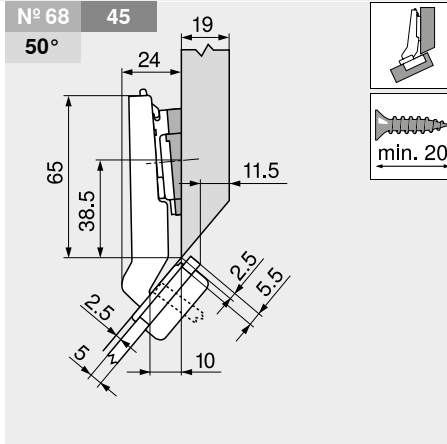
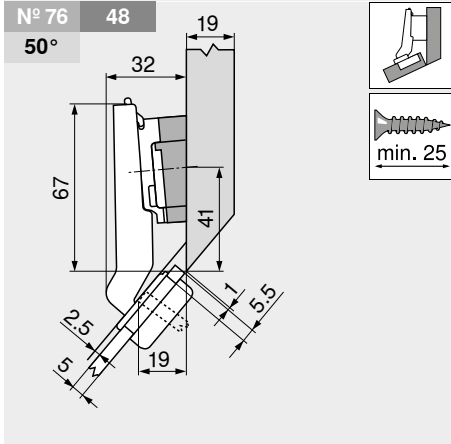
Description	Spacing (mm)	Part no.
Mounting plate	9	175H7190

Description	Spacing (mm)	Part no.
Mounting plate	0	173H7100



+45° angled hinge for glass doors

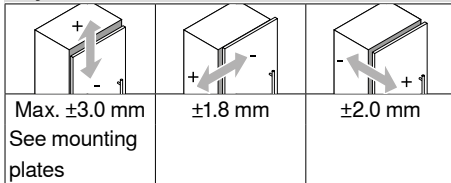
Planning



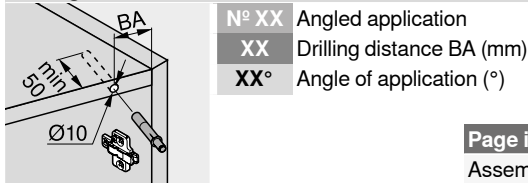
Description	Spacing (mm)	Part no.
Mounting plate	3	173H7130
Angled spacer	+5°	171A5070

Description	Spacing (mm)	Part no.
Mounting plate	0	173H7100
Angled spacer	+5°	171A5010

Adjustment



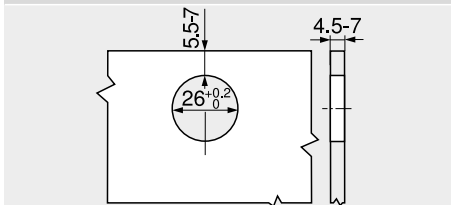
Drilling distance BA – BLUMOTION 970A1002



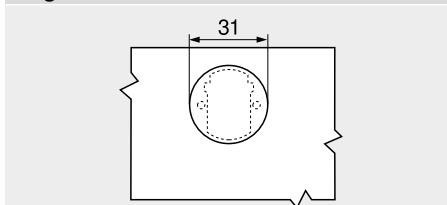
Page instructions

Assembly, removal and adjustment	552
----------------------------------	-----

Screw-on



Hinge boss dimensions



Hinge boss cover cap

