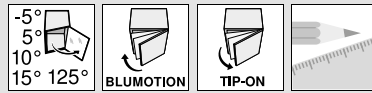


Hinge systems



- ▶ CLIP top BLUMOTION / CLIP top – hinges
- ▶▶ Angled application – glass door



Hinge systems

CRISTALLO angled application



- Hinge for glass and mirror doors
- Adhesion plate is glued onto glass (no glass drilling necessary)
- Tool-free hinge to adhesion plate assembly
- CLIP top with or without closing mechanism (spring)
- 125° opening angle
- 3-dimensional front adjustment
- Convenient spiral-tech depth adjustment
- Tool-free door to cabinet assembly and removal

Page instructions					
WA	Angle		WA	Angle	
	-5°			5°	10°
	Nº 106		Nº 103	Nº 104	Nº 105
	172		172	173	173
	Nº 107		Nº 100	Nº 101	Nº 102
	172		173	173	173
Overview – angled applications					148
WA	Angled application				

Order information

	Boss	<input type="checkbox"/>	CRISTALLO 125°
	Hinge	<input type="checkbox"/>	Spring
		<input type="checkbox"/>	Part no.
	CLIP top	<input checked="" type="radio"/>	79C450BT
	CLIP top	<input type="radio"/>	78C450BT
<input checked="" type="radio"/>	With spring	<input type="radio"/>	Unsprung

	<input type="checkbox"/>	CRISTALLO adhesion plate
	<input type="checkbox"/>	Glue-on
Front material	Colour	Part no.
Glass/mirror	Matt-nickel plated	78C4568
Mirror	Special nickel plated	78C4568

	<input type="checkbox"/>	a Accessories
	<input type="checkbox"/>	BLUMOTION 973A
Version	<input type="checkbox"/>	Part no.
Clip on	<input type="checkbox"/>	973A9000

	<input type="checkbox"/>	TIP-ON for doors	
Version	Spring	Part no.	
Short version	<input type="radio"/>	956.1004	
Extended version	<input type="radio"/>	956A1004	
Extended version	<input checked="" type="radio"/>	956A1006	
<input checked="" type="radio"/>	With spring	<input type="radio"/>	Unsprung

	<input type="checkbox"/>	Hinge arm cover cap
Print/Stamp	Logo	Part no.
Plain	-	70.1553
Screen print	Blum	70.1553.BL

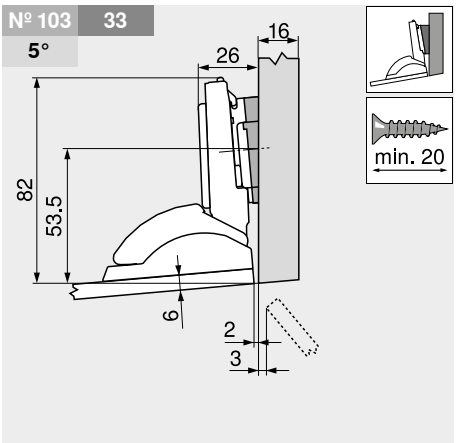
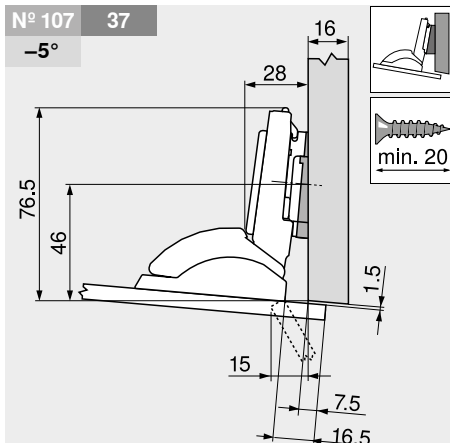
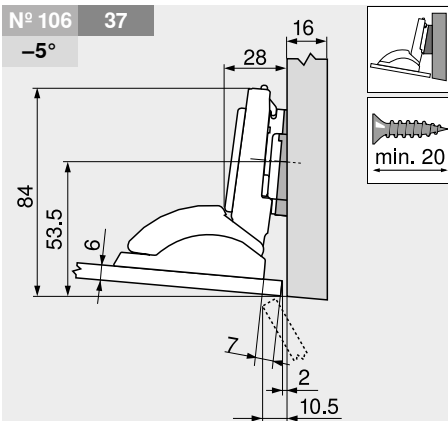
Page instructions

Limitation of liability	136	Mounting plates	186	Assembly, removal and adjustment	196
Overview – CLIP top BLUMOTION / CLIP top – hinges distance	107	Accessories – hinge arm cover cap	193		
	137	Overview – BLUMOTION for doors	539		
		Overview – TIP-ON for doors	653		

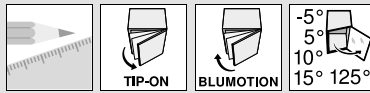
Planning

Note

These dimensions are based on a 16 mm thick cabinet. The application changes in cases of deviation. In these cases a trial is recommended. Some applications require the mounting plate to be moved from the standard fixing positions.

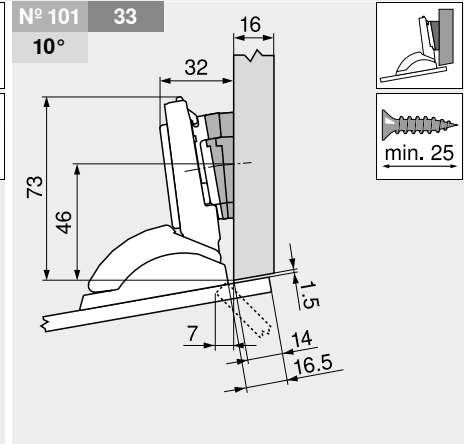
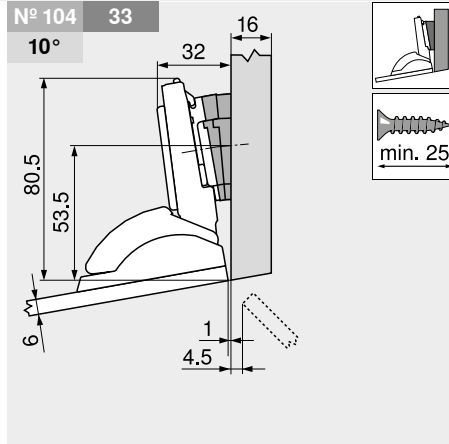
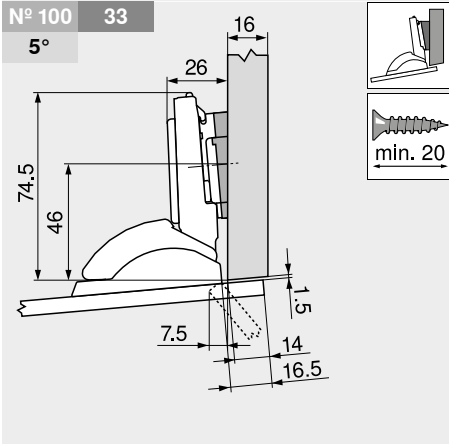


Description	Spacing (mm)	Part no.	Description	Spacing (mm)	Part no.	Description	Spacing (mm)	Part no.
Mounting plate	0	173H7100	Mounting plate	0	173H7100	Mounting plate	0	173H7100
Angled spacer	-5°	171A5500	Angled spacer	-5°	171A5500	Angled spacer	+5°	171A5010



CRISTALLO angled application

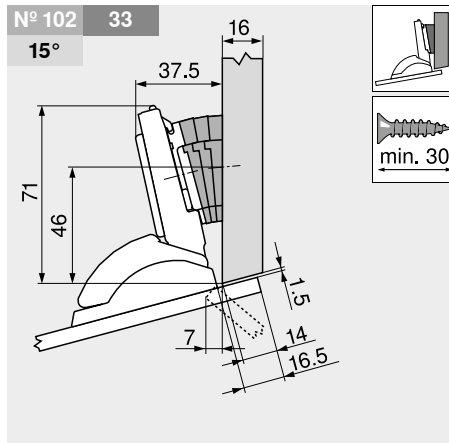
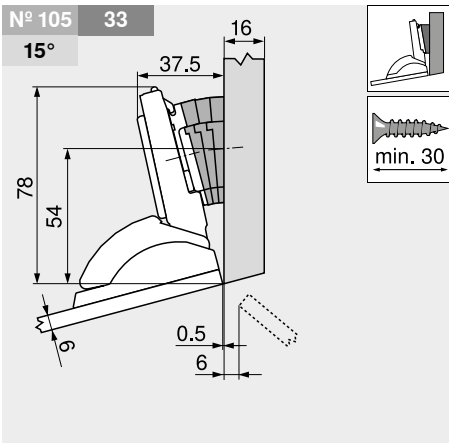
Planning



Description	Spacing (mm)	Part no.
Mounting plate	0	173H7100
Angled spacer	+5°	171A5010

Description	Spacing (mm)	Part no.
Mounting plate	0	173H7100
Angled spacer	+5°	171A5010

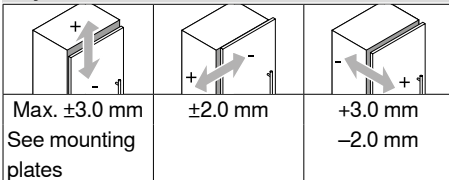
Description	Spacing (mm)	Part no.
Mounting plate	0	173H7100
Angled spacer	+5°	171A5010



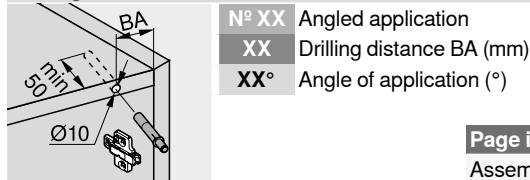
Description	Spacing (mm)	Part no.
Mounting plate	0	173H7100
Angled spacer	+5°	171A5010

Description	Spacing (mm)	Part no.
Mounting plate	0	173H7100
Angled spacer	+5°	171A5010

Adjustment



Drilling distance BA – BLUMOTION 970A1002

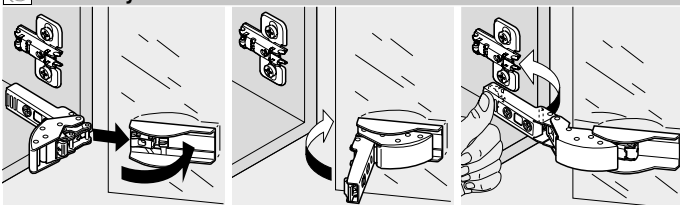


Page instructions

Assembly, removal and adjustment

552

Assembly



Removal

