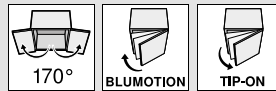


# Hinge systems



- ▶ CLIP top BLUMOTION / CLIP top – hinges
- ▶▶ Wide angled application



Hinge systems

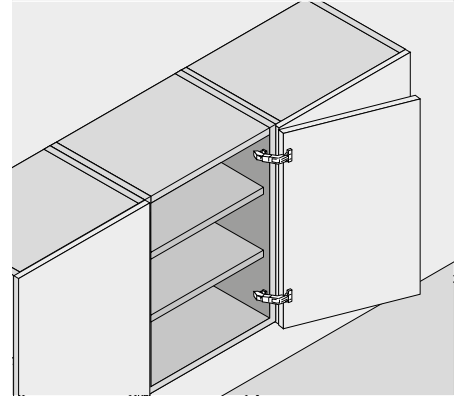
## 170° hinge

Webcode  
DQDI3Y



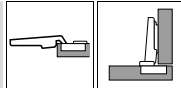
- CLIP top with or without closing mechanism (spring)
- All metal hinge, nickel plated
- 170° opening angle
- 3-dimensional front adjustment
- Convenient spiral-tech depth adjustment
- Tool-free door to cabinet assembly and removal
- With INSERTA tool-free hinge to door assembly

## Application



## Order information

### Overlay application



Boss		INSERTA	
Hinge	Spring	Part no.	
CLIP top	●	71T6540B	
CLIP top	○	70T6540BTL	
● With spring	○ Unsprung		

Boss		Screw-on	
Hinge	Spring	Part no.	
CLIP top	●	71T6550	
CLIP top	○	70T6550.TL	

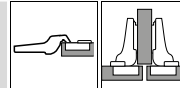
Boss		Knock-in	
Hinge	Spring	Part no.	
CLIP top	●	71T6580	

### a Accessories

BLUMOTION 973A	
Version	Part no.
Clip on	973A6000

Hinge arm cover cap		
Print/Stamp	Logo	Part no.
Plain	–	80.6507
Stamped	Blum	80.6507.BP

### Dual application



Boss		INSERTA	
Hinge	Spring	Part no.	
CLIP top	●	71T6640B	
CLIP top	○	70T6640BTL	
● With spring	○ Unsprung		

Boss		Screw-on	
Hinge	Spring	Part no.	
CLIP top	●	71T6650	
CLIP top	○	70T6650.TL	

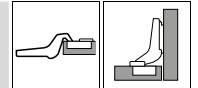
Boss		Knock-in	
Hinge	Spring	Part no.	
CLIP top	●	71T6680	

### a Accessories

BLUMOTION 973A	
Version	Part no.
Clip on	973A6000

Hinge arm cover cap		
Print/Stamp	Logo	Part no.
Plain	–	80.6507
Stamped	Blum	80.6507.BP

### Inset application



For inset application use hinges for twin application and a 9 mm spaced mounting plate

## Safety information

If young children have access to furniture with wide angle hinges then the 155° opening 0-protrusion hinges should be used.

## a Accessories – general

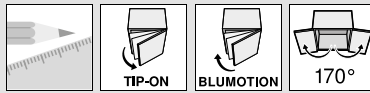
Opening angle stop	
Opening angle	Part no.
130°	70.6103

TIP-ON for doors		
Version	Spring	Part no.
Short version	○	956.1004
Extended version	○	956A1004
Extended version	●	956A1006
● With spring	○ Unsprung	

Chipboard screws		
Ø (mm)	Length (mm)	Part no.
3.5	15	609.1500
3.5	17	609.1700

Insertion ram		
Material	Colour	Part no.
Nylon	Orange	MZM.0040

CLIP top BLUMOTION / CLIP top – hinges <math>\triangleleft</math>  
Wide angled application <math>\triangleleft\triangleleft</math>



Hinge systems  
**blum**

Hinge systems

170° hinge

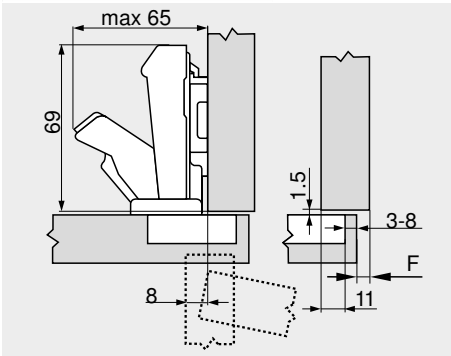
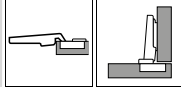
Webcode  
DQDI3Y

Planning

Hinge dimensions and gap calculation based on factory setting (mounting plate spacing = 0 or 9 mm)

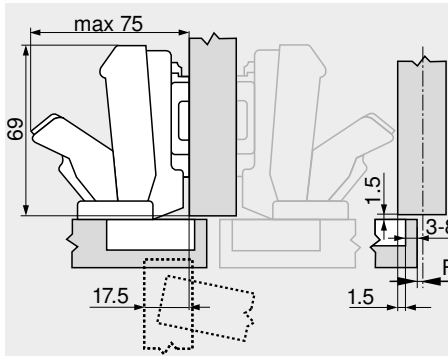
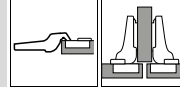
Hinge and front protrusion at 90° opening angle

Overlay application

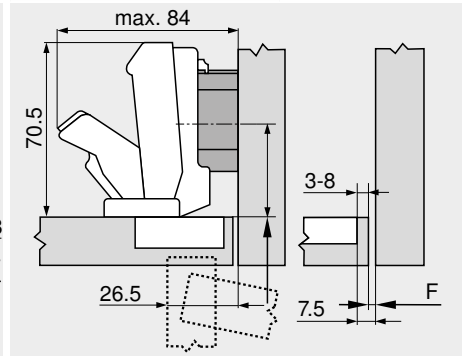
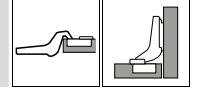


F Gap

Dual application

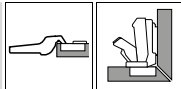


Inset application

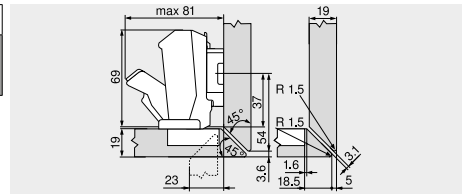


Set mounting plate back by door thickness +1.5 mm

Mitred application



Description	Angle	Part no.
Opening angle stop	130°	70.6103



Mitred cut on the left and right cabinet side, not top and bottom

Hinge for dual applications

Description	Spacing (mm)	Part no.
Mounting plate	6	175H9160

Drilling distance TB

MD	Front overlay FA (mm)																
	5	6	7	8	9	10	11	12	13	14	15	16	17	18	19		
0												3	4	5	6	7	8
3							3	4	5	6	7	8					
6				3	4	5	6	7	8								
9	3	4	5	6	7	8											

MD Mounting plate spacing (mm)

MD	Front overlay FA (mm)																
	-4.5	-3.5	-2.5	-1.5	-0.5	0.5	1.5	2.5	3.5	4.5	5.5	6.5	7.5	8.5	9.5		
0																	
3																	
6																	
9																	

MD Mounting plate spacing (mm)

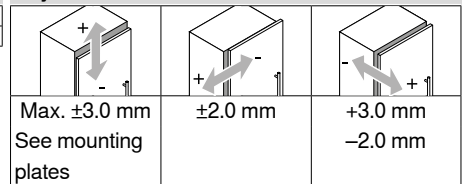
MD	Front overlay FA (mm)				
	-4.5	-3.5	-2.5	-1.5	-0.5
0					
3					
6					
9					

MD Mounting plate spacing (mm)

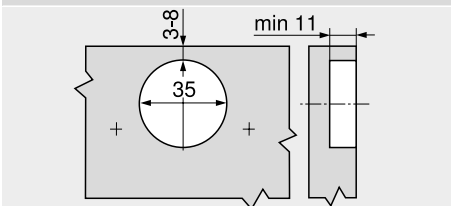
Minimum gap (F) for fronts with a front radius (R = 1 mm) based on the factory setting

For doors up to 21 mm thick, no gap is required  
For doors in excess of 22 mm thick, a trial application is recommended

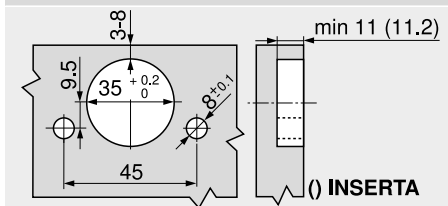
Adjustment



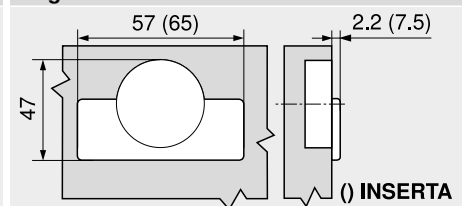
Screw-on



INSERTA/knock-in



Hinge boss dimensions



Page instructions

Safety information	777	Overview – BLUMOTION for doors	539
Overview – CLIP top BLUMOTION / CLIP top – hinges	107	Overview – TIP-ON for doors	653
Mounting plates	186	Mitred application – all 4 edges	120
Accessories – hinge arm cover cap	193	Assembly, removal and adjustment	196
Accessories – general	194	Overview – assembly devices	683
		More technical details	774