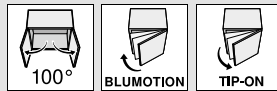


Hinge systems



- ▶ CLIP top BLUMOTION / CLIP top – hinges
- ▶▶ Standard application



Hinge systems

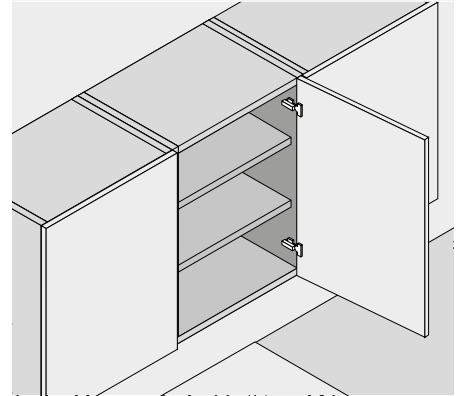
CLIP 100° hinge

Webcode
DQDGA



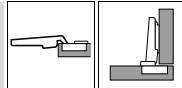
- CLIP with or without closing mechanism (spring)
- All metal hinge, nickel plated
- 100° opening angle
- 3-dimensional front adjustment
- Tool-free door to cabinet assembly and removal
- With **INSERTA** tool-free hinge to door assembly

Application



Order information

Overlay application



Boss		INSERTA	
Hinge	Spring	Part no.	
CLIP	●	71M2590B	
● With spring	○ Unsprung		

Boss		Screw-on	
Hinge	Spring	Part no.	
CLIP	●	71M2550	
CLIP	○	70M2550.TL	

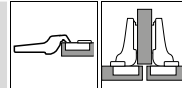
Boss		Knock-in	
Hinge	Spring	Part no.	
CLIP	●	71M2580	
CLIP	○	70M2580.TL	

a Accessories

BLUMOTION 973A	
Version	Part no.
Clip on	973A0500.01

Hinge arm cover cap		
Print/Stamp	Logo	Part no.
Plain	–	90M2503
Stamped	Blum	90M2503.BP

Dual application



Boss		INSERTA	
Hinge	Spring	Part no.	
CLIP	●	71M2690B	
● With spring	○ Unsprung		

Boss		Screw-on	
Hinge	Spring	Part no.	
CLIP	●	71M2650	
CLIP	○	70M2650.TL	

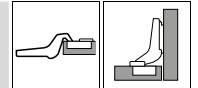
Boss		Knock-in	
Hinge	Spring	Part no.	
CLIP	●	71M2680	
CLIP	○	70M2680.TL	

a Accessories

BLUMOTION 973A	
Version	Part no.
Clip on	973A0600

Hinge arm cover cap		
Print/Stamp	Logo	Part no.
Plain	–	94M3603
Stamped	Blum	94M3603.BP

Inset application



Boss		INSERTA	
Hinge	Spring	Part no.	
CLIP	●	71M2790B	
● With spring	○ Unsprung		

Boss		Screw-on	
Hinge	Spring	Part no.	
CLIP	●	71M2750	
CLIP	○	70M2750.TL	

Boss		Knock-in	
Hinge	Spring	Part no.	
CLIP	●	71M2780	
CLIP	○	70M2780.TL	

a Accessories

BLUMOTION 973A	
Version	Part no.
Clip on	973A0700

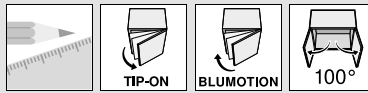
Hinge arm cover cap		
Print/Stamp	Logo	Part no.
Plain	–	94M3603
Stamped	Blum	94M3603.BP

a Accessories – general

TIP-ON for doors		
Version	Spring	Part no.
Short version	○	956.1004
Extended version	○	956A1004
Extended version	●	956A1006
● With spring	○ Unsprung	

Chipboard screws		
Ø (mm)	Length (mm)	Part no.
3.5	15	609.1500
3.5	17	609.1700

Insertion ram		
Material	Colour	Part no.
Nylon	Orange	MZM.0040



CLIP 100° hinge

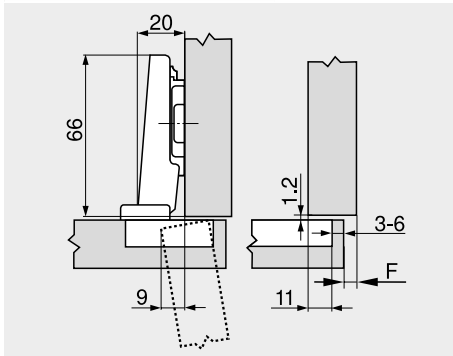
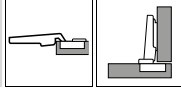
Webcode
DQDGA

Planning

Hinge dimensions and gap calculation based on factory setting (mounting plate spacing = 0 mm)

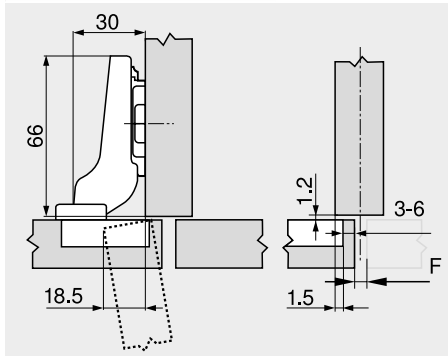
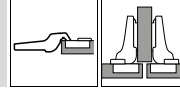
Hinge and front protrusion at full opening angle

Overlay application

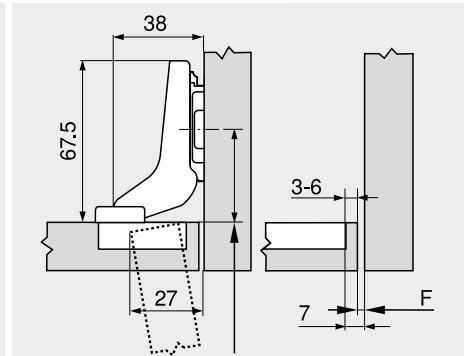
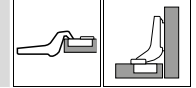


F Gap

Dual application



Inset application



Set mounting plate back by door thickness +1.5 mm

Drilling distance TB

MD	Front overlay FA (mm)																
	5	6	7	8	9	10	11	12	13	14	15	16	17				
0																	
3						3	4	5	6								
6				3	4	5	6										
9	3	4	5	6													
MD	Mounting plate spacing (mm)																

MD	Front overlay FA (mm)												
	-4.5	-3.5	-2.5	-1.5	-0.5	0.5	1.5	2.5	3.5	4.5	5.5	6.5	7.5
0													
3								3	4	5	6		
6				3	4	5	6						
9	3	4	5	6									
MD	Mounting plate spacing (mm)												

MD	Front overlay FA (mm)					
0						
3				-4	-3	-2
6				3	4	5
9						
MD	Mounting plate spacing (mm)					

Minimum gap (F) for fronts with a front radius (R = 1 mm) based on the factory setting

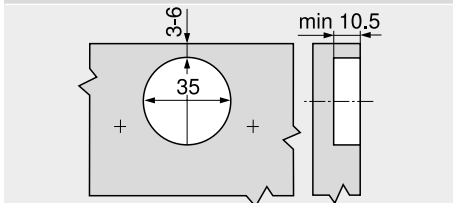
Drilling distance TB (mm)	Front thickness FD (mm)											
	16	18	19	20	21	22	24	26	28	30	31	32
3	0.3	0.5	0.7	1.0	1.3	1.6	3.3	Δ	Δ	Δ	Δ	Δ
4	0.3	0.5	0.7	1.0	1.2	1.6	3.2	Δ	Δ	Δ	Δ	Δ
5	0.3	0.5	0.7	0.9	1.2	1.5	2.6	Δ	Δ	Δ	Δ	Δ
6	0.3	0.5	0.7	0.9	1.1	1.4	2.4	Δ	Δ	Δ	Δ	Δ
Additional for +2 mm side adjustment												
	+0.1	+0.3	+0.3	+0.4	+0.4	+0.5	+0.4					

Δ In these cases a trial is recommended

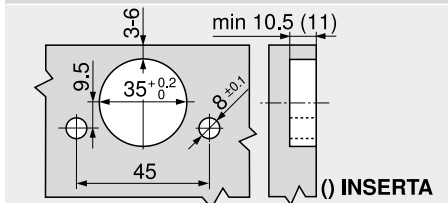
Adjustment

Max. ±3.0 mm See mounting plates	±2.0 mm	+3.0 mm -1.0 mm

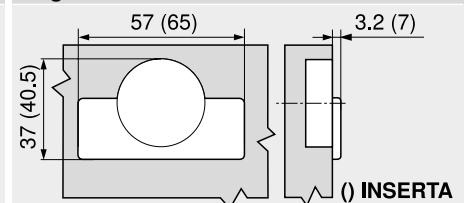
Screw-on



INSERTA/knock-in



Hinge boss dimensions



Page instructions

Overview – CLIP top BLUMOTION / CLIP top – hinges	107	Overview – TIP-ON for doors	653
Mounting plates	186	Assembly, removal and adjustment	196
Accessories – hinge arm cover cap	193	Overview – assembly devices	683
Accessories – general	194	More technical details	774
Overview – BLUMOTION for doors	539		