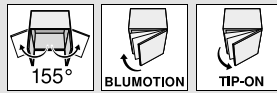


Hinge systems



- ▶ CLIP top BLUMOTION / CLIP top – hinges
- ▶▶ Wide angled application



Hinge systems

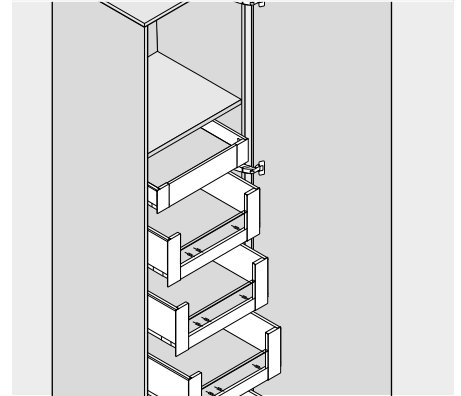
155° hinge

Webcode
DQDHEM



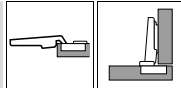
- 0-protrusion for overlay application (for cabinets with inner pull-outs or pull-out surrounds)
- CLIP top with or without closing mechanism (spring)
- All metal hinge, nickel plated
- 155° opening angle
- 3-dimensional front adjustment
- Convenient spiral-tech depth adjustment
- Tool-free door to cabinet assembly and removal
- With INSERTA tool-free hinge to door assembly

Application



Order information

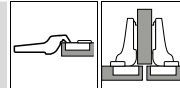
Overlay application



0-protrusion

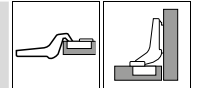
Boss		INSERTA	
Hinge	Spring	Part no.	
CLIP top	●	71T7540N01	
CLIP top	○	70T7540NT1	
●	With spring	○	Unsprung

Dual application



Boss		INSERTA	
Hinge	Spring	Part no.	
CLIP top	●	71T7640N01	
CLIP top	○	70T7640NT1	
●	With spring	○	Unsprung

Inset application



For inset application use hinges for twin application and a 9 mm spaced mounting plate

Boss		Screw-on	
Hinge	Spring	Part no.	
CLIP top	●	71T7500N	
CLIP top	○	70T7500NTL	

Boss		Screw-on	
Hinge	Spring	Part no.	
CLIP top	●	71T7600N	
CLIP top	○	70T7600NTL	

Boss		Knock-in	
Hinge	Spring	Part no.	
CLIP top	●	71T7530N	

a Accessories

BLUMOTION 973A	
Version	Part no.
Clip on	973A7000

a Accessories

BLUMOTION 973A	
Version	Part no.
Clip on	973A7000

Hinge arm cover cap		
Print/Stamp	Logo	Part no.
Plain	–	70.7503
Stamped	Blum	70.7503.BP

Hinge arm cover cap		
Print/Stamp	Logo	Part no.
Plain	–	70.7503
Stamped	Blum	70.7503.BP

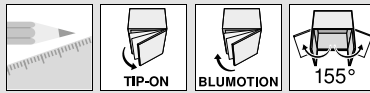
a Accessories – general

Opening angle stop	
Opening angle	Part no.
92°	70T7503N09
110°	70T7503N

TIP-ON for doors			
Version	Spring	Part no.	
Short version	○	956.1004	
Extended version	○	956A1004	
Extended version	●	956A1006	
●	With spring	○	Unsprung

Chipboard screws		
Ø (mm)	Length (mm)	Part no.
3.5	15	609.1500
3.5	17	609.1700

Insertion ram		
Material	Colour	Part no.
Nylon	Orange	MZM.0040



155° hinge

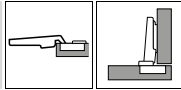
Webcode
DQDHEM

Planning

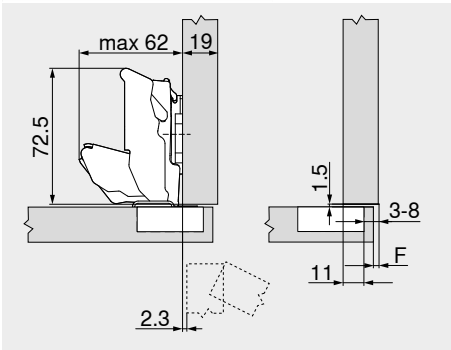
Hinge dimensions and gap calculation based on factory setting (mounting plate spacing = 0 or 9 mm)

Hinge and front protrusion at 90° opening angle

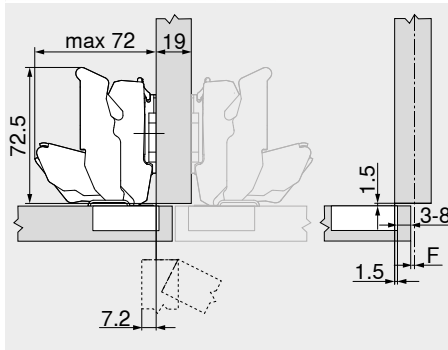
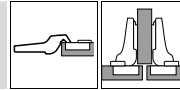
Overlay application



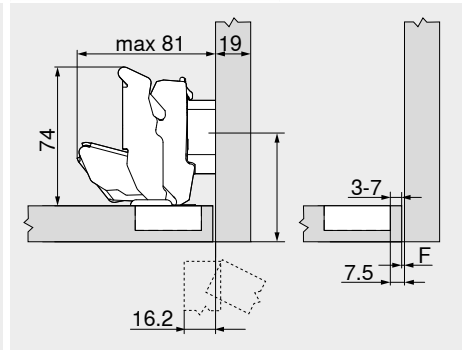
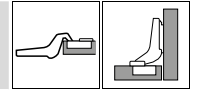
0-protrusion



Dual application



Inset application



F Gap

Set mounting plate back by door thickness +1.5 mm

Drilling distance TB

MD	Front overlay FA (mm)																		
	5	6	7	8	9	10	11	12	13	14	15	16	17	18	19				
0												3	4	5	6	7	8		
3												3	4	5	6	7	8		
6				3	4	5	6	7	8										
9	3	4	5	6	7	8													

MD Mounting plate spacing (mm)

MD	Front overlay FA (mm)																		
	-4.5	-3.5	-2.5	-1.5	-0.5	0.5	1.5	2.5	3.5	4.5	5.5	6.5	7.5	8.5	9.5				
0																			
3																			
6																			
9	3	4	5	6	7	8													

MD Mounting plate spacing (mm)

MD	Front overlay FA (mm)																		
	-4.5	-3.5	-2.5	-1.5	-0.5	0.5	1.5	2.5	3.5	4.5	5.5	6.5	7.5	8.5	9.5				
0																			
3																			
6																			
9	3	4	5	6	7														

MD Mounting plate spacing (mm)

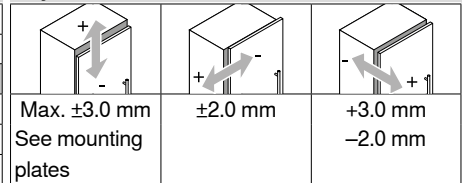
Minimum gap (F) for fronts with a front radius (R = 1 mm) based on the factory setting

Drilling distance TB (mm)	Front thickness FD (mm)											
	20	21	22	23	24	25	26	27	28	29	30	31
3	0	0	0	0	0	0.5	0.5	1.0	2.0	2.0	3.0	4.5
4	0	0	0	0	0	0.5	1.0	2.0	2.0	2.5	4.0	
5	0	0	0	0	0	0.5	1.0	2.0	2.0	3.5		
6	0	0	0	0	0	1.0	1.5	2.0	3.0			
7	0	0	0	0	0	1.0	1.5	2.5				
8	0	0	0	0	0	1.0	1.5					

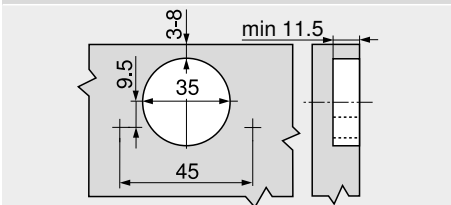
We recommend a trial application for an overlay application against a wall

110° Opening angle stop
92° Opening angle stop

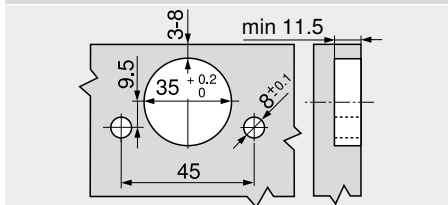
Adjustment



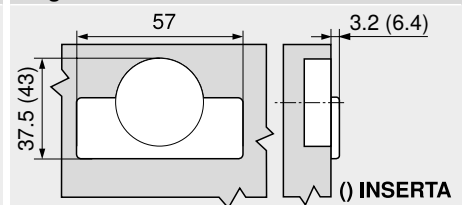
Screw-on



INSERTA/knock-in



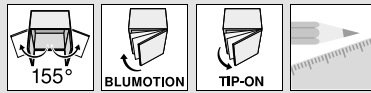
Hinge boss dimensions



Page instructions

Overview – CLIP top BLUMOTION / CLIP top – hinges	107	Overview – TIP-ON for doors	653
Mounting plates	186	Assembly, removal and adjustment	196
Accessories – hinge arm cover cap	193	Overview – assembly devices	683
Accessories – general	194	More technical details	774
Overview – BLUMOTION for doors	539		

- ▶ CLIP top BLUMOTION / CLIP top – hinges
- ▶▶ Wide angled application



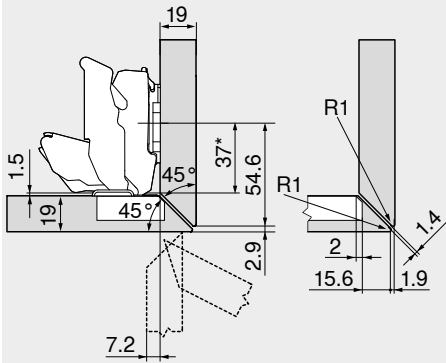
155° hinge

Webcode
DQDHEM

Planning – special application
Mitred application – all 4 edges



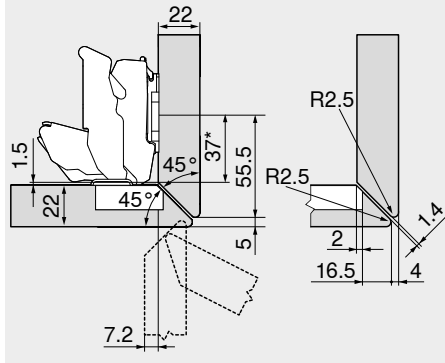
19 mm



Hinge for dual applications

Description	Spacing (mm)	Part no.
Mounting plate	0	
* Dimension for mounting plate with dimension A = 37 mm		

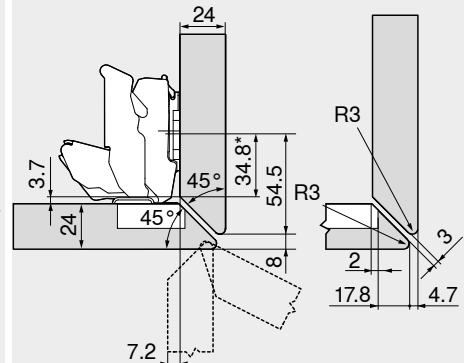
22 mm



Hinge for dual applications

Description	Spacing (mm)	Part no.
Mounting plate	0	
* Dimension for mounting plate with dimension A = 37 mm		

24 mm



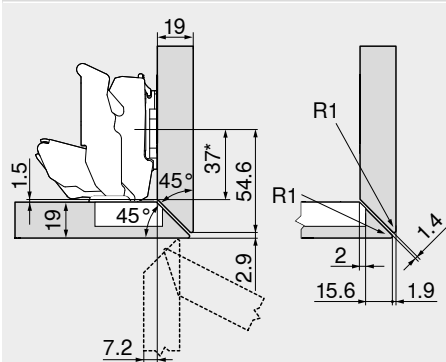
Hinge for dual applications

Description	Spacing (mm)	Part no.
Mounting plate	0	
* Dimension for mounting plate with dimension A = 37 mm		

Mitred application – side



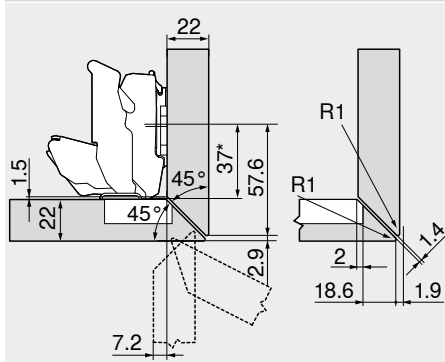
19 mm



Hinge for dual applications

Description	Spacing (mm)	Part no.
Mounting plate	0	
* Dimension for mounting plate with dimension A = 37 mm		

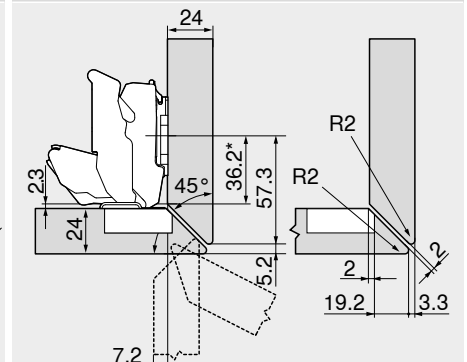
22 mm



Hinge for dual applications

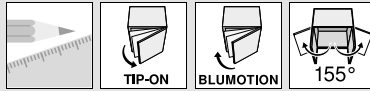
Description	Spacing (mm)	Part no.
Mounting plate	0	
* Dimension for mounting plate with dimension A = 37 mm		

24 mm



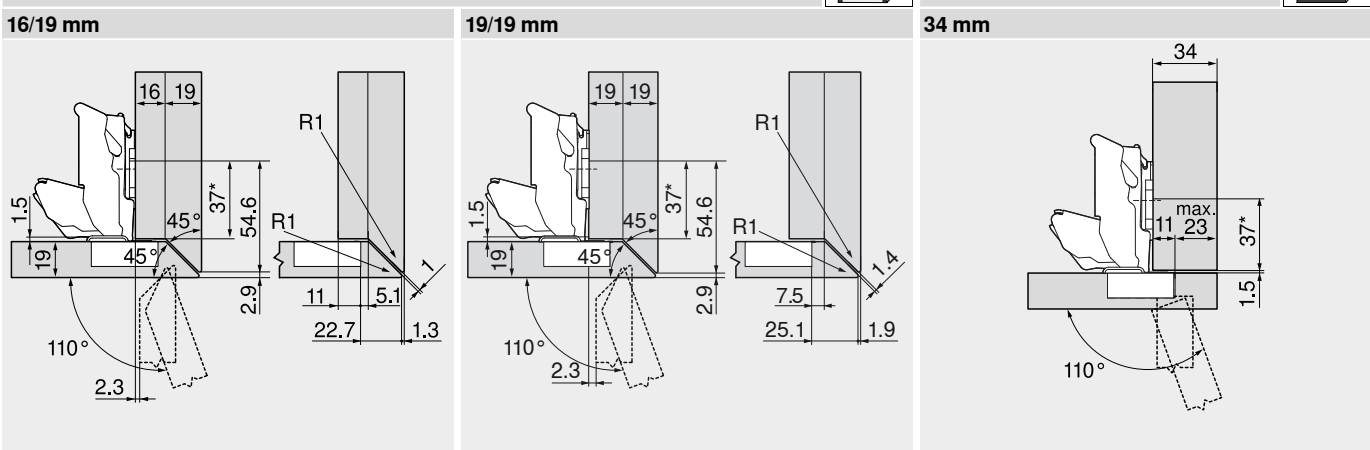
Hinge for dual applications

Description	Spacing (mm)	Part no.
Mounting plate	0	
* Dimension for mounting plate with dimension A = 37 mm		



155° hinge Webcode
DQDHEM

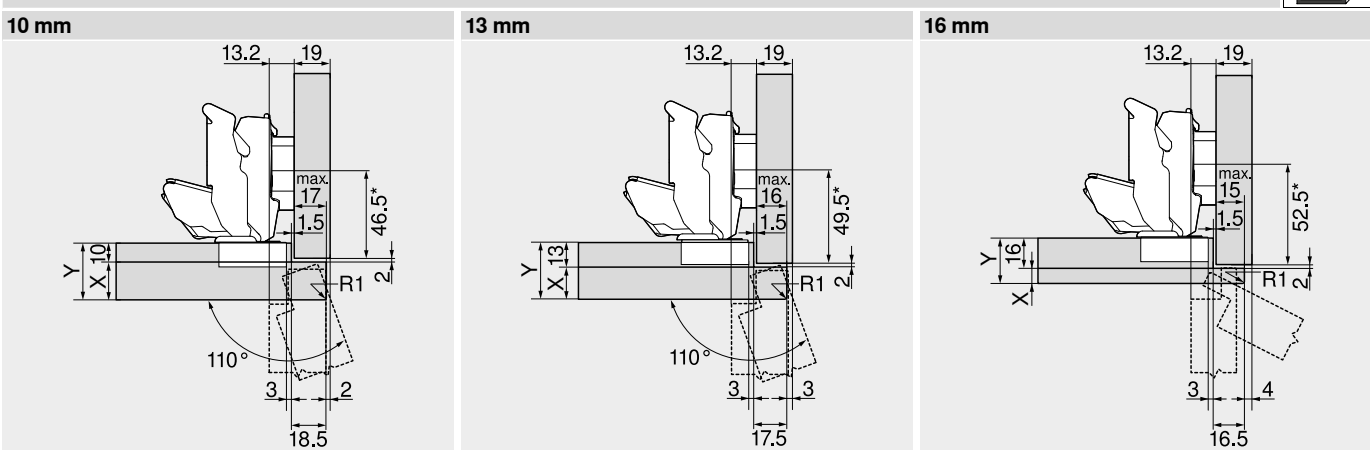
Planning – special application
Mitred application – side, with large overlay



Hinge for overlay applications			Hinge for overlay applications			Hinge for overlay applications		
Description	Spacing (mm)	Part no.	Description	Spacing (mm)	Part no.	Description	Spacing (mm)	Part no.
Mounting plate	0		Mounting plate	0		Mounting plate	0	
* Dimension for mounting plate with dimension A = 37 mm			* Dimension for mounting plate with dimension A = 37 mm			* Dimension for mounting plate with dimension A = 37 mm		
Description	Angle	Part no.	Description	Angle	Part no.	Description	Angle	Part no.
Opening angle stop	110°	70T7503N	Opening angle stop	110°	70T7503N	Opening angle stop	110°	70T7503N

You can select any front thickness for a free-standing cabinet.
We recommend a trial application for a neighbouring front or an overlay application on the wall.

Notched applications



Hinge for dual applications			Hinge for dual applications			Hinge for dual applications		
Description	Spacing (mm)	Part no.	Description	Spacing (mm)	Part no.	Description	Spacing (mm)	Part no.
Mounting plate	6	175H9160	Mounting plate	6	175H9160	Mounting plate	6	175H9160
* Dimension for mounting plate with dimension A = 37 mm			* Dimension for mounting plate with dimension A = 37 mm			* Dimension for mounting plate with dimension A = 37 mm		
Description	Angle	Part no.	Description	Angle	Part no.	Description	X max. (mm)	Y max. (mm)
Opening angle stop	110°	70T7503N	Opening angle stop	110°	70T7503N	Cabinet situation		
Cabinet situation	X max. (mm)	Y max. (mm)	Cabinet situation	X max. (mm)	Y max. (mm)		8	24
	18	28		16	29		8	24
	20	30		17	30		8	24
	25	35		17	30			