



- ▶ CLIP top BLUMOTION | CLIP top – hinges
- ▶▶ Angled application – thin doors

Hinge for thin doors – angled application



- Thin fronts from 8–14 mm
- EXPANDO T fixing system for a variety of front materials
- CLIP top BLUMOTION with integrated BLUMOTION (with deactivation option)
- CLIP top with or without closing mechanism (spring)
- 0-protrusion (for cabinets with inner pull-outs or pull-out shelves)
- 110° opening angle
- 3-dimensional front adjustment
- Tool-free door to cabinet assembly and removal

Page instructions

WA	Angle		WA	Angle		
	-5°	5°		10°	15°	
	N° 114		N° 115	N° 116	N° 117	
	144		144	145	145	
	N° 110		N° 111	N° 112	N° 113	
	144		145	145	145	
Overview – angled applications					120	
WA Angled application						

Order information

Boss		<input type="checkbox"/> EXPANDO T	
Hinge	Spring	Colour	Part no.
CLIP top BLUMOTION	●	NI	71B453T
CLIP top	●	NI	71T453T
CLIP top	○	NI	70T453T.TL
●	With spring	NI	Nickel plated
○	Unsprung		

Accessories			
TIP-ON for doors			
Version	Hinge	Spring	Part no.
Short version	CLIP top	○	956.1004
Extended version	CLIP top	○	956A1004
Extended version	CLIP top	●	956A1006


Hinge boss cover cap		
Hinge	Colour	Part no.
CLIP top BLUMOTION	NI	70T4504
CLIP top	NI	70T4504

Hinge arm cover cap			
Print Stamp	Logo	Colour	Part no.
Plain	–	NI	70.4503
Stamped	Blum	NI	70.4503.BP

Note

A trial application is recommended when combining CLIP top BLUMOTION hinges and CLIP top hinges with springs on small, light fronts up to 300 mm wide. Combining these is not recommended for wider fronts.

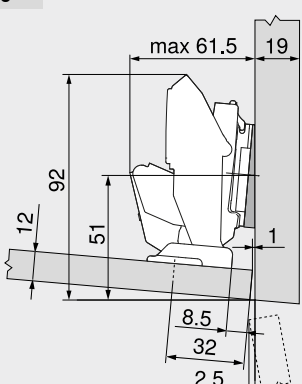
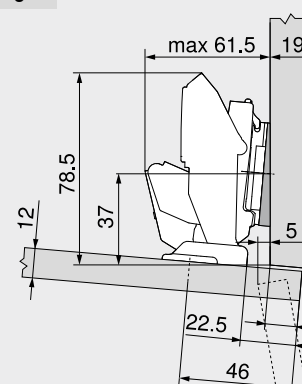
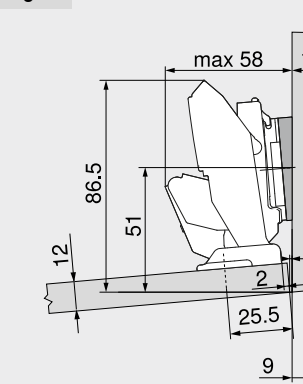
Page instructions

Overview – CLIP top BLUMOTION CLIP top – hinges	75	Fixing system for thin fronts – EXPANDO T	554	Assembly, removal and adjustment  Short-URL www.blum.com/a210
Overview – BLUMOTION for doors	171	Assembly recommendation and limitation of liability – EXPANDO T	555	
Overview – TIP-ON for doors	185	Accessories – general	166	
Mounting plates	156			

Planning

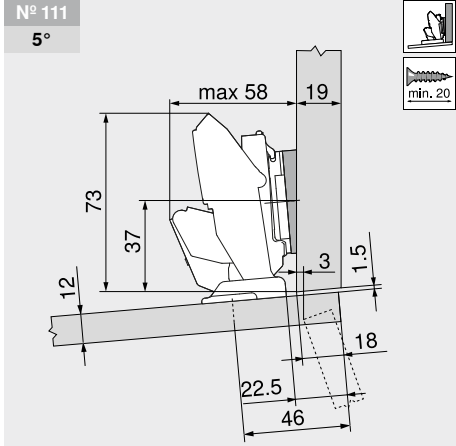
Note

These dimensions are based on the factory setting, with a front thickness of 12 mm and a side panel thickness of 19 mm. The application changes in cases of deviation. In these cases a trial is recommended. Some applications require the mounting plate to be moved from the standard fixing positions.

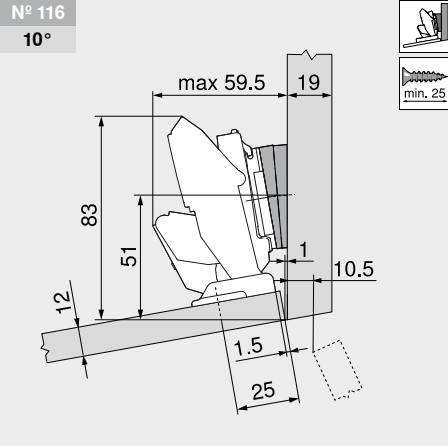
N° 114 -5°			N° 110 -5°			N° 115 5°		
								
Description	Spacing (mm)	Part no.	Description	Spacing (mm)	Part no.	Description	Spacing (mm)	Part no.
Mounting plate	0	173H7100	Mounting plate	0	173H7100	Mounting plate	0	173H7100
Angled spacer	-5°	171A5500	Angled spacer	-5°	171A5500	Angled spacer	+5°	171A5010

Hinge for thin doors – angled application

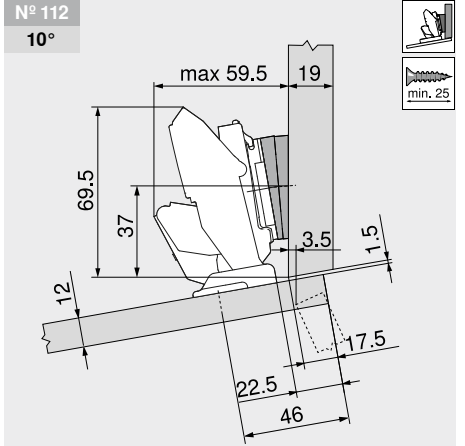
Planning



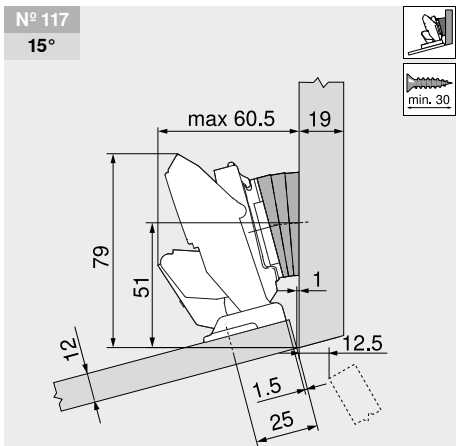
Description	Spacing (mm)	Part no.
Mounting plate	0	173H7100
Angled spacer	+5°	171A5010



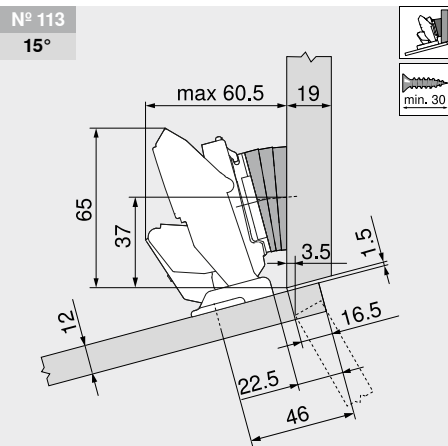
Description	Spacing (mm)	Part no.
Mounting plate	0	173H7100
Angled spacer	+5° 2 x	171A5010



Description	Spacing (mm)	Part no.
Mounting plate	0	173H7100
Angled spacer	+5° 2 x	171A5010

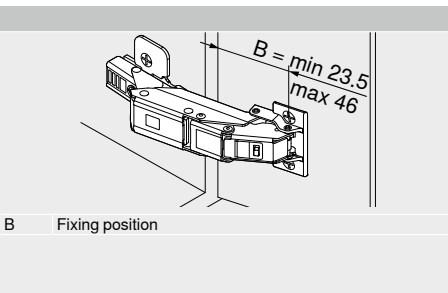
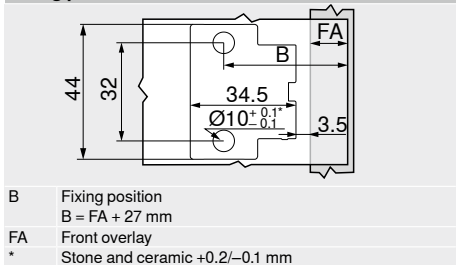


Description	Spacing (mm)	Part no.
Mounting plate	0	173H7100
Angled spacer	+5° 3 x	171A5010

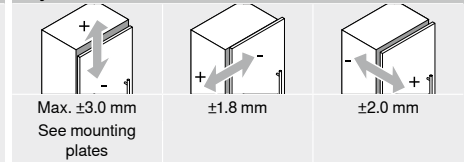


Description	Spacing (mm)	Part no.
Mounting plate	0	173H7100
Angled spacer	+5° 3 x	171A5010

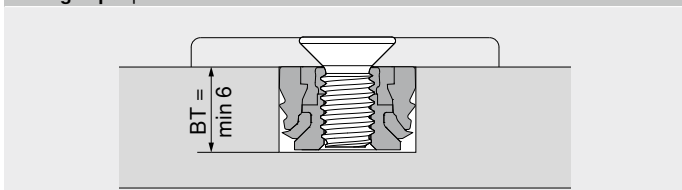
Fixing position



Adjustment



Drilling depth | screw selection – EXPANDO T



BT	Drilling depth