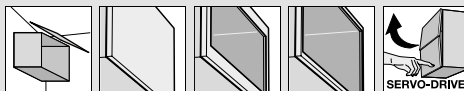


# Lift systems



## ▶ AVENTOS HS – up and over lift system ▶▶ Standard | SERVO-DRIVE



### Wooden fronts, wide and narrow alu frames

Webcode  
DQDADA



- Ideal for large-area, single fronts
- Cabinet height KH 350–800 mm
- Cabinet width KB up to 1800 mm
- Silent and effortless closing, thanks to

#### BLUMOTION

- Light operating forces
- Perfect motion with a variable stop
- Tool-free assembly
- 3-dimensional front adjustment
- Simple, infinitely variable lift mechanism

#### Lift mechanism

In order to select the correct lift mechanism, it is necessary to establish both the cabinet height and the weight of the front (including the handle)

#### Example

Cabinet height KH = 600 mm  
Weight of front = 10 kg  
Lift mechanism selection = 20S2E00.05  
KH = 602 mm → 600 mm  
KH = 603 mm → 605 mm

We recommend the more powerful lift mechanism for overlapping areas.

- Standard
- SERVO-DRIVE

### Order information

#### 1 Lift mechanism set

##### Cabinet height KH 350–525 mm

20S2A00.05			20S2B00.05			20S2C00.05		
KH (mm)	Weight of front incl. handle (kg)			KH (mm)	Weight of front incl. handle (kg)			
350	2.00–5.00	4.50–9.50	9.25–10.50	440	2.25–4.50	4.25–8.50	8.25–13.00	
355	2.00–4.75	4.50–9.50	9.25–10.50	445	2.25–4.50	4.25–8.50	8.25–13.25	
360	2.00–4.75	4.50–9.50	9.25–10.75	450	2.25–4.25	4.00–8.50	8.25–13.50	
365	2.00–4.75	4.50–9.25	9.00–11.00	455	2.25–4.25	4.00–8.50	8.25–13.50	
370	2.00–4.75	4.50–9.25	9.00–11.00	460	2.25–4.25	4.00–8.25	8.00–13.75	
375	2.00–4.75	4.50–9.25	9.00–11.25	465	2.25–4.25	4.00–8.25	8.00–13.75	
380	2.00–4.75	4.50–9.25	9.00–11.25	470	2.50–4.25	4.00–8.25	8.00–14.00	
385	2.00–4.75	4.50–9.25	9.00–11.50	475	2.50–4.25	3.75–8.00	7.75–14.00	
390	2.00–4.75	4.50–9.00	8.75–11.50	480	2.50–4.25	3.75–8.00	7.75–14.25	
395	2.00–4.75	4.50–9.00	8.75–11.75	485	2.50–4.25	3.75–8.00	7.75–14.25	
400	2.00–4.75	4.25–9.00	8.75–12.00	490	2.50–4.25	3.75–8.00	7.75–14.50	
405	2.25–4.50	4.25–9.00	8.75–12.00	495	2.50–4.25	3.75–7.75	7.50–14.50	
410	2.25–4.50	4.25–9.00	8.75–12.25	500	2.50–4.25	3.50–7.75	7.50–14.75	
415	2.25–4.50	4.25–8.75	8.50–12.50	505	2.50–4.00	3.50–7.75	7.50–14.75	
420	2.25–4.50	4.25–8.75	8.50–12.50	510	2.50–4.00	3.50–7.75	7.50–14.75	
425	2.25–4.50	4.25–8.75	8.50–12.75	515	2.50–4.00	3.50–7.50	7.25–14.75	
430	2.25–4.50	4.25–8.75	8.50–12.75	520	2.50–4.00	3.50–7.50	7.25–15.00	
435	2.25–4.50	4.25–8.75	8.50–13.00	525	2.50–4.00	3.25–7.50	7.25–15.00	

##### Cabinet height KH 526–675 mm

20S2D00.05			20S2E00.05			20S2F00.05		
KH (mm)	Weight of front incl. handle (kg)			KH (mm)	Weight of front incl. handle (kg)			
526	3.00–6.75	6.25–13.00	12.00–16.50	605	3.00–6.00	5.50–11.75	10.50–18.50	
530	3.00–6.75	6.25–12.75	11.75–16.75	610	3.00–6.00	5.50–11.75	10.50–18.50	
535	3.00–6.75	6.25–12.75	11.75–16.75	615	3.00–5.75	5.50–11.50	10.25–18.75	
540	3.00–6.50	6.00–12.75	11.75–17.00	620	3.00–5.75	5.50–11.50	10.25–18.75	
545	3.00–6.50	6.00–12.50	11.50–17.25	625	3.00–5.75	5.50–11.50	10.25–18.75	
550	3.00–6.50	6.00–12.50	11.50–17.25	630	3.00–5.75	5.50–11.50	10.25–18.75	
555	3.00–6.50	6.00–12.50	11.50–17.50	635	3.00–5.50	5.25–11.50	10.25–18.75	
560	3.00–6.50	6.00–12.25	11.25–17.50	640	3.00–5.50	5.25–11.25	10.00–18.75	
565	3.00–6.25	5.75–12.25	11.25–17.75	645	3.00–5.50	5.25–11.25	10.00–18.75	
570	3.00–6.25	5.75–12.25	11.25–17.75	650	3.00–5.50	5.25–11.25	10.00–19.00	
575	3.00–6.25	5.75–12.00	11.00–18.00	655	3.00–5.50	5.25–11.25	10.00–19.00	
580	3.00–6.25	5.75–12.00	11.00–18.00	660	3.00–5.50	5.25–11.25	10.00–19.00	
585	3.00–6.25	5.75–12.00	10.75–18.25	665	3.00–5.25	5.00–11.00	09.75–19.00	
590	3.00–6.00	5.50–12.00	10.75–18.25	670	3.00–5.25	5.00–11.00	09.75–19.00	
595	3.00–6.00	5.50–11.75	10.50–18.50	675	3.00–5.25	5.00–11.00	09.75–19.00	
600	3.00–6.00	5.50–11.75	10.50–18.50					

##### Cabinet height KH 676–800 mm

20S2G00.05			20S2H00.05			20S2I00.05		
KH (mm)	Weight of front incl. handle (kg)			KH (mm)	Weight of front incl. handle (kg)			
676	3.50–8.00	7.00–13.50	13.00–21.50	740	3.50–7.25	6.50–12.75	11.75–20.75	
680	3.50–8.00	7.00–13.50	13.00–21.50	745	3.50–7.25	6.50–12.75	11.50–20.50	
685	3.50–8.00	7.00–13.25	12.75–21.50	750	3.50–7.25	6.50–12.75	11.50–20.50	
690	3.50–7.75	6.75–13.25	12.75–21.50	755	3.75–7.25	6.50–12.75	11.25–20.50	
695	3.50–7.75	6.75–13.25	12.50–21.50	760	3.75–7.25	6.50–12.75	11.25–20.25	
700	3.50–7.75	6.75–13.25	12.50–21.50	765	3.75–7.25	6.50–12.50	11.00–20.25	
705	3.50–7.75	6.75–13.25	12.25–21.50	770	3.75–7.00	6.25–12.50	11.00–20.25	
710	3.50–7.75	6.75–13.25	12.25–21.25	775	3.75–7.00	6.25–12.50	11.00–20.25	
715	3.50–7.50	6.75–13.00	12.00–21.25	780	4.00–7.00	6.25–12.50	10.75–20.25	
720	3.50–7.50	6.75–13.00	12.00–21.25	785	4.00–7.00	6.25–12.50	10.75–20.00	
725	3.50–7.50	6.75–13.00	12.00–21.00	790	4.00–7.00	6.00–12.25	10.75–20.00	
730	3.50–7.50	6.75–13.00	11.75–21.00	795	4.00–7.00	6.00–12.25	10.50–20.00	
735	3.50–7.50	6.50–13.00	11.75–20.75	800	4.00–7.00	6.00–12.25	10.50–20.00	

#### Composed of:

- 1 2 x Lift mechanism (symmetrical)
- 10 x Chipboard screws Ø 4 x 35 mm
- KH Cabinet height

#### 2 Lever arm set

Material	Colour	Part no.
Steel	NI	20S3500.06

#### Composed of:

- 2a 1 x Lever arm left
- 2b 1 x Lever arm right
- 2c 2 x Cross stabiliser cover cap

#### 2 Lever arm set for SERVO-DRIVE

Material	Colour	Part no.
Steel	NI	21S3500.01

#### Composed of:

- 2a 1 x SERVO-DRIVE lever arm left
- 2b 1 x SERVO-DRIVE lever arm right
- 2c 2 x Cross stabiliser cover cap

#### 3 Cover cap set

Material	Colour	Part no.
Nylon	HGR   SW   TGR	20S8000

#### Composed of:

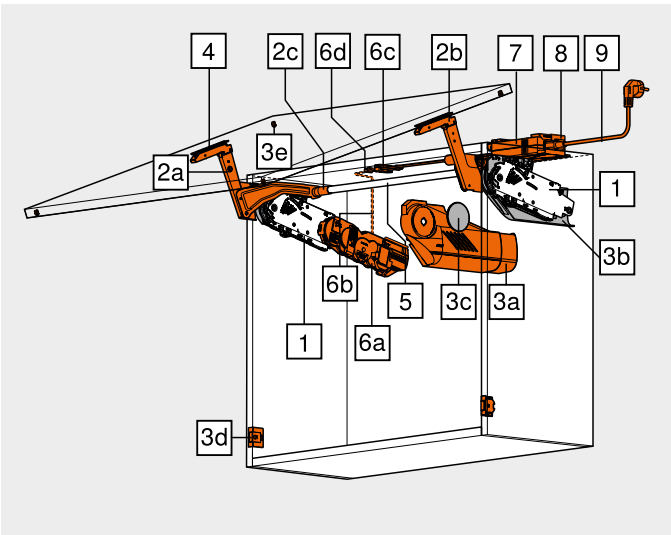
- 3a 1 x Cover cap large left
- 3b 1 x Cover cap large right
- 3c 2 x Cover cap round

#### 3 Cover cap set for SERVO-DRIVE

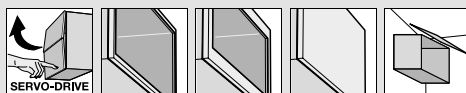
Material	Colour	Part no.
Nylon	HGR   SW   TGR	21S8000

#### Composed of:

- 3a 1 x SERVO-DRIVE cover plate left
- 3b 1 x Cover cap large right
- 3c 2 x Cover cap round
- 3d 2 x SERVO-DRIVE switch
- 3e 4 x Blum distance bumper, Ø 5 mm



AVENTOS HS – up and over lift system  
Standard | SERVO-DRIVE



Lift systems



Wooden fronts, wide and narrow alu frames

Webcode

DQDADA

Order information

4		<b>Front fixing bracket set</b>		
		<b>Version</b>		<b>Part no.</b>
		Wooden fronts and wide alu frames	1	Z0S4200
		Narrow alu frames		Z0S4200A
		Use 4 chipboard screws (609.1x00) per side for wooden fronts		
		Use 4 counter sunk self tapping screws (660.0950) per side for wide alu frames		

4		<b>Front fixing bracket</b>		
		<b>Version</b>		<b>Part no.</b>
		Thin fronts		Z0S42T1
		EXPANDO T suitable for thin fronts – see page instructions		

5		<b>Cross stabiliser rod round</b>		
		<b>Length (mm)</b>	<b>Diameter (mm)</b>	<b>Part no.</b>
		1061	Ø 16	Z0Q1061UN
		For cutting to size		
		<b>Cutting</b>	<input type="checkbox"/> Internal cabinet width LW – 129 mm	
			<input type="checkbox"/> Internal cabinet width LW – 164 mm	

–		<b>Connecting piece set for cross stabiliser</b>		
		<b>Internal cabinet width LW 1190 mm and higher</b>		
		<b>Material</b>	<b>Diameter (mm)</b>	<b>Part no.</b>
		Aluminium	Ø 16	Z0Q153ZN
		<b>Composed of:</b>		
		– 1 x Connecting piece		
		– 1 x Fixing		
		– 2 x Cross stabiliser cover cap		
		<b>Cutting for 5</b>	<input type="checkbox"/> Internal cabinet width LW / 2 – 147 mm	
			<input type="checkbox"/> Internal cabinet width LW / 2 – 165 mm	

6		<b>SERVO-DRIVE set</b>		
		<b>Material</b>	<b>Colour</b>	<b>Part no.</b>
		Nylon	R7037	Z1FA000
		<b>Composed of:</b>		
		6a 1 x Drive unit		
		6b 1 x Distribution cable, 1500 mm		
		6c 1 x Connecting node		
		6d 2 x Cable end protector		
		We recommend one SERVO-DRIVE drive unit per set for connected fronts.		

7		<b>Blum transformer 24 W</b>			
		<b>Language package</b>	<b>Part no.</b>	<b>Language package</b>	<b>Part no.</b>
		A	Z10NE030A	E	Z10NE030E
		B	Z10NE030B	F	Z10NE030F
		C	Z10NE030C	G	Z10NE030G
		D	Z10NE030D	H	Z10NE030H
		Incl. instruction leaflet and installation instructions			
		Without flex			
		<b>Language package</b>			
		A DE, EN, FR, IT, NL		E CS, HU, PL, SK	
		B DA, EN, FI, NO, SV		F BG, ET, LT, LV, RO, RU	
		C EL, EN, HR, SL, SR, TR		G EN, ES, FR	
		D EN, ES, FR, IT, PT		H EN, ZH	
		Language descriptions as per ISO-639			

8		<b>Transformer unit housing</b>		
		<b>Material</b>	<b>Colour</b>	<b>Part no.</b>
		Nylon	WGR	Z10NG120
		For Blum transformer 24 W		

9		<b>Flex</b>			
		<b>Market</b>	<b>Part no.</b>	<b>Market</b>	<b>Part no.</b>
		Europe	Z10M200E	CH	Z10M200C
		US, CA	Z10M200U	JP	Z10M200J
		BR	Z10M200S.01	UK	Z10M200B
		DK	Z10M200D	IL	Z10M200I
		AU	Z10M200K	CN	Z10M200N
		AR	Z10M200A	IN	Z10M200H
		CL	Z10M200L	TW	Z10M200T
		ZA	Z10M200Z	Europe	Z10M200E.OS
		1 Without plug			

–		<b>Blum plug-in transformer 12 W</b>					
		<b>Only suitable for one drive unit</b>					
		<b>Network adapter</b>	<b>Language package</b>	<b>Part no.</b>	<b>Network adapter</b>	<b>Language package</b>	<b>Part no.</b>
		E	A	Z10NA30EAF	E	F	Z10NA30EFF
		E	B	Z10NA30EBF	B	A	Z10NA30BAF
		E	C	Z10NA30ECF	K	D	Z10NA30KDF
		E	D	Z10NA30EDF	U	G	Z10NA30UGF
		E	E	Z10NA30EEF			

	<b>Network adapter</b>								
	E	B	K	U					
	<b>Composed of:</b>								
	– 1 x Blum plug-in transformer 12 W								
	Incl. cable, 1120 mm (with distribution cable extendible to max. 2000 mm)								
	Other combinations available upon request								
	1 See the Information chapter for a detailed market list								

a		<b>Accessories</b>		
–		<b>Distribution cable and cable end protector</b>		
		<b>Length (mm)</b>	<b>Colour</b>	<b>Part no.</b>
		8	S	Z10K800AE
		<b>Composed of:</b>		
		6b 1 x Distribution cable		
		6d 5 x Cable end protector		
		Can be used as a distribution cable		
		For cutting to size		

–		<b>Connecting node and cable end protector</b>		
		<b>Material</b>	<b>Colour</b>	<b>Part no.</b>
		Nylon	S	Z10V100E.01
		<b>Composed of:</b>		
		6c 1 x Connecting node		
		6d 2 x Cable end protector		
		Tool-free assembly		

–		<b>Cable holder</b>		
		<b>Material</b>	<b>Colour</b>	<b>Part no.</b>
		Nylon	W	Z10K0009
		For example, for securing the distribution cable		

	<b>Colour</b>		<b>Colour</b>	
	HGR	Light grey	R7037	RAL 7037 dust grey
	SW	Silk white	WGR	White grey
	TGR	Dark grey	S	Black
	NI	Nickel plated	W	White

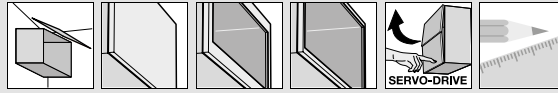
Page instructions

Overview – AVENTOS HS	53	Planning – Blum distance bumper	57	<b>Assembly, removal and adjustment</b>
Fixing system for thin fronts – EXPANDO T	588	Planning – SERVO-DRIVE switch	57	
Assembly recommendation and limitation of liability – EXPANDO T	589	SERVO-DRIVE uno – market list	706	
		Overview – assembly devices	595	
Accessories – general	88	Reference values for door weights	692	<b>Short-URL</b>
Planning	56	More technical details	686	

Lift systems



- ▶ AVENTOS HS – up and over lift system
- ▶▶ Standard | SERVO-DRIVE

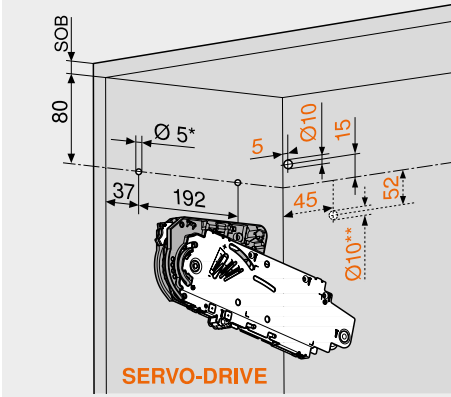


Wooden fronts, wide and narrow alu frames

Webcode  
DQDADA

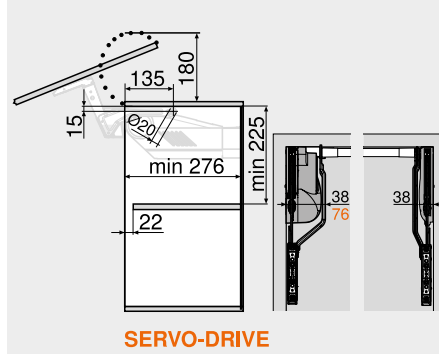
Planning

Drilling position

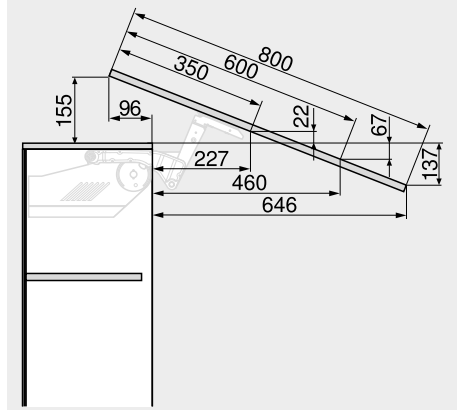


5 x chipboard screws  $\varnothing 4 \times 35$  mm  
Drilling for SERVO-DRIVE distribution cable, left only  
SOB Top panel thickness  
\* Drilling depth 5 mm  
\*\* Alternative drilling

Space requirement

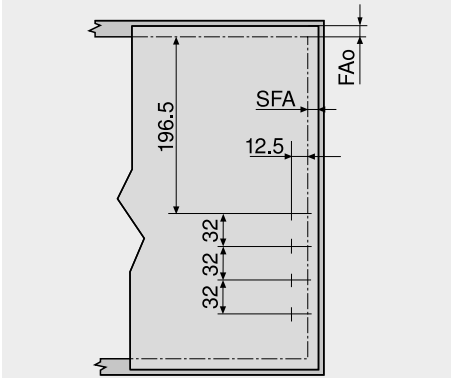


SERVO-DRIVE



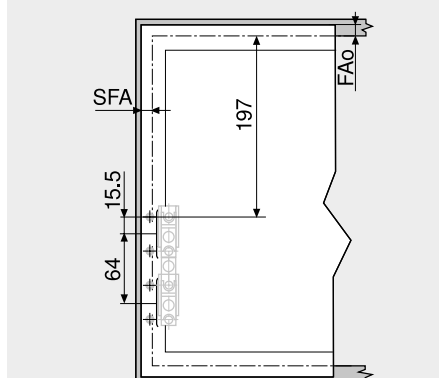
Dimensions depend on tilt adjustment

Front assembly – wooden fronts and wide alu frames



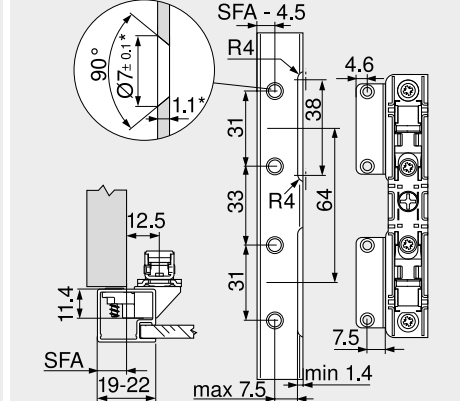
Use 4 chipboard screws (609.1x00) for wooden fronts  
Use 4 counter sunk self tapping screws (660.0950) for wide alu frames  
FAo Upper front overlay  
SFA Front overlay of the side panel

Front assembly – narrow alu frames



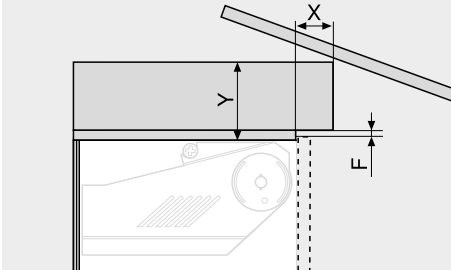
Wall application: min. gap required 5 mm  
FAo Upper front overlay  
SFA Front overlay of the side panel

Planning – narrow alu frames



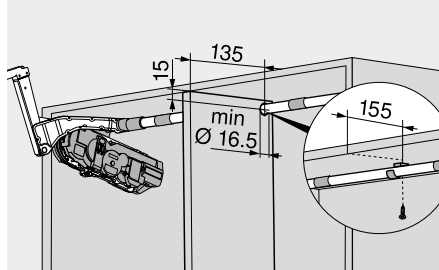
For frame width 19 mm, a side front overlay SFA of 11–18 mm is possible  
\* When changing material thickness, adjust the assembly dimensions accordingly

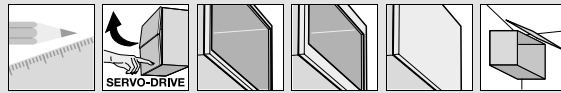
Space requirement – cornice | crown



Gap F (mm)	X max. (mm)	Y max. (mm)
3.0	35	101
2.0	31	101
1.5	28	101

Connecting piece



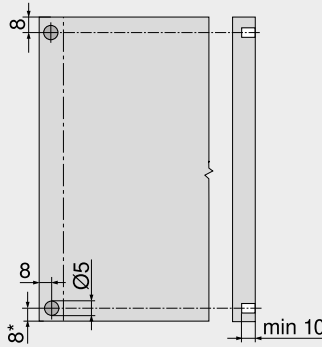
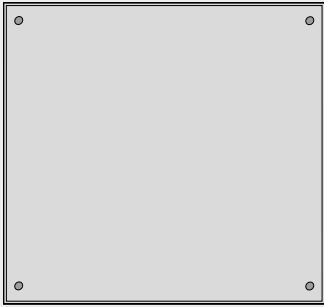


Wooden fronts, wide and narrow alu frames

Webcode  
 DQDADA

Planning

Blum distance bumper (SERVO-DRIVE application only)



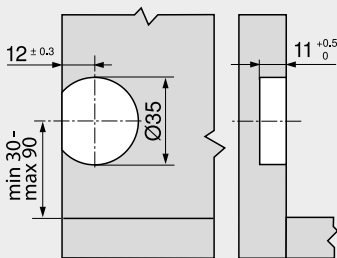
Insert Blum distance bumper (do not glue)

Recommendation for aluminium frames:

Consider drilling for the Blum distance bumper in the cabinet side. A trial application must be carried out when fixing to the front

\* From cabinet front edge for fronts that protrude below

SERVO-DRIVE switch



Page instructions

Overview – AVENTOS HS	53	Assembly, removal and adjustment
Order specification – wooden fronts, wide and narrow alu frames	54	
Overview – assembly devices	595	Short-URL
More technical details	686	<a href="http://www.blum.com/a120">www.blum.com/a120</a>

