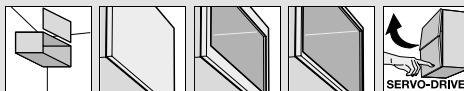


## Lift systems



- ▶ AVENTOS HL – lift up
- ▶▶ Standard | SERVO-DRIVE



## Wooden fronts, wide and narrow alu frames

Webcode

DQDB2M



- Well-suited to small-area, single fronts
- Cabinet height KH 300–580 mm
- Cabinet width KB up to 1800 mm
- Silent and effortless closing, thanks to **BLUMOTION**
- Light operating forces
- Perfect motion with a variable stop
- Tool-free assembly
- 3-dimensional front adjustment
- Simple, infinitely variable lift mechanism

**Lift mechanism**

In order to select the correct lift mechanism, it is necessary to establish both the cabinet height and the weight of the front (including the handle)

We recommend the more powerful lift mechanism for overlapping areas.

 Standard

 SERVO-DRIVE

## Order information

1 <input type="checkbox"/> <input checked="" type="checkbox"/> Lift mechanism set						Part no.
	<b>Cabinet height KH (mm)</b>	300–349	350–399	400–550	450–580	
	<b>Lever arm set</b>					
<input type="checkbox"/>	20L3200.06	20L3500.06	20L3800.06	20L3900.06		
<input checked="" type="checkbox"/>	21L3200.01	21L3500.01	21L3800.01	21L3900.01		

Weight of front incl. handle (kg)	1.25–4.25		1.25–2.50			20L2100.05	
	3.50–7.25		1.75–5.00		1.75–3.50	20L2300.05	
	6.50–12.00		4.25–9.00		2.75–6.75	2.00–5.25	20L2500.05
	11.00–20.00		8.00–14.75		5.75–11.75	4.25–9.25	20L2700.05
			13.50–20.00		10.50–20.00	8.25–16.50	20L2900.05

## Composed of:

- 1 2 x Lift mechanism (symmetrical)
- 10 x Chipboard screws Ø 4 x 35 mm

2 <input type="checkbox"/> Lever arm set				Part no.
	<b>Cabinet height KH (mm)</b>	300–349		
		350–399		20L3500.06
		400–550		20L3800.06
		450–580		20L3900.06

## Composed of:

- 2a 1 x Lever arm left
- 2b 1 x Lever arm right
- 2c 2 x Cross stabiliser cover cap oval

3 <input type="checkbox"/> Cover cap set				Part no.
	<b>Material</b>	<b>Colour</b>		
	Nylon	HGR   SW   TGR		20L8000.01

## Composed of:

- 3a 1 x Cover cap large left
- 3b 1 x Cover cap large right
- 3c 2 x Cover cap round

2 <input checked="" type="checkbox"/> Lever arm set for SERVO-DRIVE				Part no.
	<b>Cabinet height KH (mm)</b>	300–349		
		350–399		21L3500.01
		400–550		21L3800.01
		450–580		21L3900.01

## Composed of:

- 2a 1 x SERVO-DRIVE lever arm left
- 2b 1 x Lever arm right
- 2c 2 x Cross stabiliser cover cap oval

3 <input checked="" type="checkbox"/> Cover cap set for SERVO-DRIVE				Part no.
	<b>Material</b>	<b>Colour</b>		
	Nylon	HGR   SW   TGR		21L8000

## Composed of:

- 3a 1 x SERVO-DRIVE cover plate left
- 3b 1 x Cover cap large right
- 3c 2 x Cover cap round
- 3d 2 x SERVO-DRIVE switch
- 3e 4 x Blum distance bumper, Ø 5 mm

4 <input type="checkbox"/> <input checked="" type="checkbox"/> Front fixing bracket set				Part no.
	<b>Version</b>	Wooden fronts and wide alu frames	1	
		Narrow alu frames		20S4200A

<sup>1</sup> Use 4 chipboard screws (609.1x00) per side for wooden fronts

<sup>1</sup> Use 4 counter sunk self tapping screws (660.0950) per side for wide alu frames

4 <input type="checkbox"/> <input checked="" type="checkbox"/> Front fixing bracket				Part no.
	<b>Version</b>	Thin fronts		

EXPANDO T suitable for thin fronts – see page instructions

5 <input type="checkbox"/> <input checked="" type="checkbox"/> Cross stabiliser rod oval				Part no.
	<b>Length (mm)</b>	<b>Version</b>		
	1061	Oval		20Q1061UA

For cutting to size

- Cutting  Internal cabinet width LW – 129 mm
- Internal cabinet width LW – 164 mm

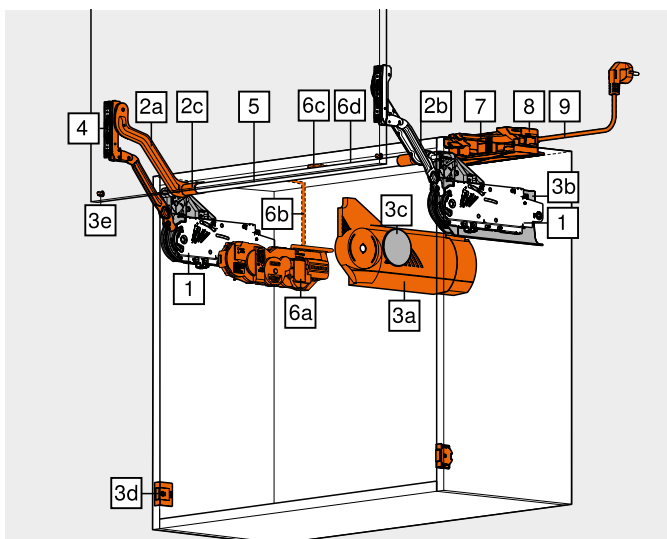
– <input type="checkbox"/> <input checked="" type="checkbox"/> Connecting piece set for cross stabiliser				Part no.
	<b>Material</b>	<b>Diameter (mm)</b>		
	Aluminium	Ø 16		20Q153ZA

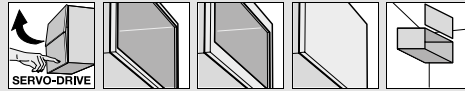
## Composed of:

- 1 x Connecting piece
- 1 x Fixing
- 2 x Cross stabiliser cover cap

Internal cabinet width LW 1190 mm and higher

- Cutting for 5  Internal cabinet width LW / 2 – 147 mm
- Internal cabinet width LW / 2 – 165 mm





Wooden fronts, wide and narrow alu frames

Webcode  
DQDB2M


Order information

<b>6</b>		<b>SERVO-DRIVE set</b>		
	<b>Material</b>	<b>Colour</b>	<b>Part no.</b>	
	Nylon	R7037	<b>Z1FA000</b>	

Composed of:

- 6a 1 x Drive unit
- 6b 1 x Distribution cable, 1500 mm
- 6c 1 x Connecting node
- 6d 2 x Cable end protector

We recommend one SERVO-DRIVE drive unit per set for connected fronts.

<b>7</b>		<b>Blum transformer 24 W</b>		
	<b>Language package</b>	<b>Part no.</b>	<b>Language package</b>	<b>Part no.</b>
	A	<b>Z10NE030A</b>	E	<b>Z10NE030E</b>
	B	<b>Z10NE030B</b>	F	<b>Z10NE030F</b>
	C	<b>Z10NE030C</b>	G	<b>Z10NE030G</b>
	D	<b>Z10NE030D</b>	H	<b>Z10NE030H</b>


Incl. instruction leaflet and installation instructions

Without flex

Language package

A	DE, EN, FR, IT, NL	E	CS, HU, PL, SK
B	DA, EN, FI, NO, SV	F	BG, ET, LT, LV, RO, RU
C	EL, EN, HR, SL, SR, TR	G	EN, ES, FR
D	EN, ES, FR, IT, PT	H	EN, ZH

Language descriptions as per ISO-639

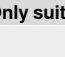
<b>8</b>		<b>Transformer unit housing</b>		
	<b>Material</b>	<b>Colour</b>	<b>Part no.</b>	
	Nylon	WGR	<b>Z10NG120</b>	

For Blum transformer 24 W

<b>9</b>		<b>Flex</b>		
	<b>Market</b>	<b>Part no.</b>	<b>Market</b>	<b>Part no.</b>
	Europe	<b>Z10M200E</b>	CH	<b>Z10M200C</b>
	US, CA	<b>Z10M200U</b>	JP	<b>Z10M200J</b>
	BR	<b>Z10M200S.01</b>	UK	<b>Z10M200B</b>
	DK	<b>Z10M200D</b>	IL	<b>Z10M200I</b>
	AU	<b>Z10M200K</b>	CN	<b>Z10M200N</b>
	AR	<b>Z10M200A</b>	IN	<b>Z10M200H</b>
	CL	<b>Z10M200L</b>	TW	<b>Z10M200T</b>
	ZA	<b>Z10M200Z</b>	Europe	<b>Z10M200E.OS</b>

<sup>1</sup> Without plug

Alternative to 7, 8, 9

 **Blum plug-in transformer 12 W**

Only suitable for one drive unit

	<b>Network adapter</b>	<b>Language package</b>	<b>Part no.</b>	<b>Network adapter</b>	<b>Language package</b>	<b>Part no.</b>
	E	A	<b>Z10NA30EAF</b>	E	F	<b>Z10NA30EFF</b>
	E	B	<b>Z10NA30EBF</b>	B	A	<b>Z10NA30BAF</b>
	E	C	<b>Z10NA30ECF</b>	K	D	<b>Z10NA30KDF</b>
	E	D	<b>Z10NA30EDF</b>	U	G	<b>Z10NA30UGF</b>
	E	E	<b>Z10NA30EEF</b>			

Network adapter <sup>1</sup>



Composed of:


- 1 x Blum plug-in transformer 12 W

Incl. cable, 1120 mm (with distribution cable extendible to max. 2000 mm)

Other combinations available upon request


<sup>1</sup> See the Information chapter for a detailed market list

**a** Accessories

<b>-</b>		<b>Distribution cable and cable end protector</b>		
	<b>Length (mm)</b>	<b>Colour</b>	<b>Part no.</b>	
	8	S	<b>Z10K800AE</b>	

Composed of:

- 6b 1 x Distribution cable
  - 6d 5 x Cable end protector
- Can be used as a distribution cable  
For cutting to size

<b>-</b>		<b>Connecting node and cable end protector</b>		
	<b>Material</b>	<b>Colour</b>	<b>Part no.</b>	
	Nylon	S	<b>Z10V100E.01</b>	

Composed of:


- 6c 1 x Connecting node
  - 6d 2 x Cable end protector
- Tool-free assembly

<b>-</b>		<b>Cable holder</b>		
	<b>Material</b>	<b>Colour</b>	<b>Part no.</b>	
	Nylon	W	<b>Z10K0009</b>	

For example, for securing the distribution cable

<b>Colour</b>	<b>Colour</b>	<b>Colour</b>	<b>Colour</b>
HGR	Light grey	WGR	White grey
SW	Silk white	S	Black
TGR	Dark grey	W	White
R7037	RAL 7037 dust grey		

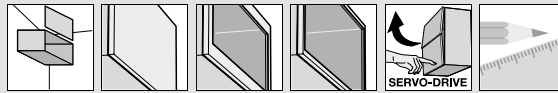
Page instructions

Overview – AVENTOS HL	59	Planning – Blum distance bumper	63	<b>Assembly, removal and adjustment</b>	
Fixing system for thin fronts – EXPANDO T	588	Planning – SERVO-DRIVE switch	63		
Assembly recommendation and limitation of liability – EXPANDO T	589	SERVO-DRIVE uno – market list	706	<b>Short-URL</b>	<a href="http://www.blum.com/a130">www.blum.com/a130</a>
		Overview – assembly devices	595		
Accessories – general	88	Reference values for door weights	692		
Planning	62	More technical details	686		

Lift systems



- ▶ AVENTOS HL – lift up
- ▶▶ Standard | SERVO-DRIVE

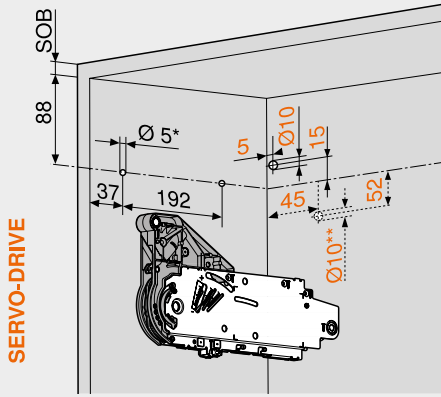


Wooden fronts, wide and narrow alu frames

Webcode  
DQDB2M

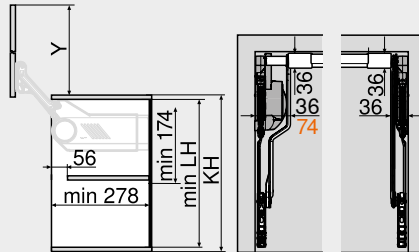
Planning

Drilling position

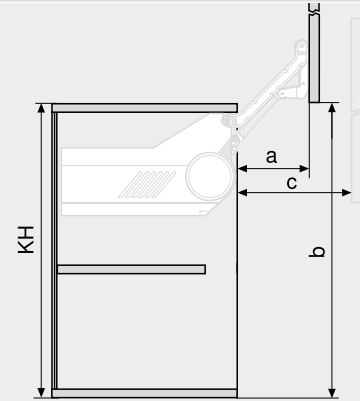


5 x chipboard screws Ø 4 x 35 mm  
Drilling for SERVO-DRIVE distribution cable, left only  
SOB Top panel thickness  
\* Drilling depth 5 mm  
\*\* Alternative drilling

Space requirement



SERVO-DRIVE



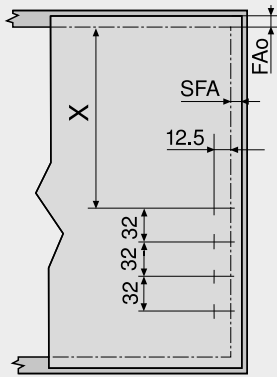
Lever arm set		LH min.	Y (mm) <sup>1</sup>
Standard	SERVO-DRIVE	(mm) <sup>1</sup>	
20L3200.06	21L3200.01	262.0	264.0
20L3500.06	21L3500.01	312.0	352.0
20L3800.06	21L3800.01	362.0	440.0
20L3900.06	21L3900.01	412.0	529.0

<sup>1</sup> Dimensions in relation to lower gap = 0 mm  
LH Internal cabinet height  
KH Cabinet height

Lever arm set		a (mm)	b (mm) <sup>1</sup>	c max. (mm)
Standard	SERVO-DRIVE			
20L3200.06	21L3200.01	114.0	257.0	159.0
20L3500.06	21L3500.01	146.0	345.0	209.0
20L3800.06	21L3800.01	178.0	433.0	259.0
20L3900.06	21L3900.01	210.0	522.0	309.5

<sup>1</sup> Dimensions in relation to lower gap = 0 mm  
KH Cabinet height

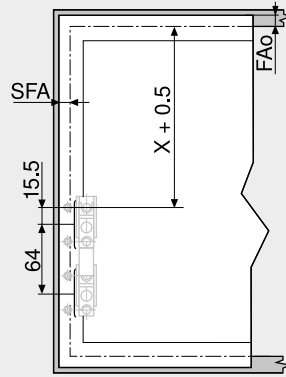
Front assembly – wooden fronts and wide alu frames



Lever arm set		X (mm)
Standard	SERVO-DRIVE	
20L3200.06	21L3200.01	153
20L3500.06	21L3500.01	203
20L3800.06	21L3800.01	253
20L3900.06	21L3900.01	303

FAo Upper front overlay  
SFA Front overlay of the side panel  
Wall application: min. gap required 5 mm

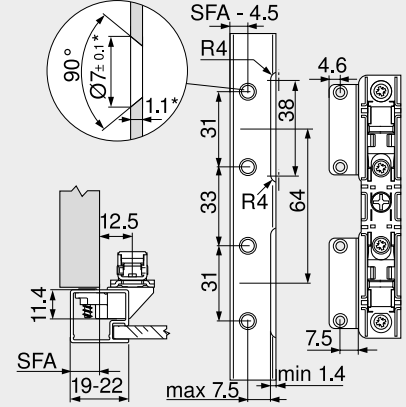
Front assembly – narrow alu frames



Lever arm set		X (mm)
Standard	SERVO-DRIVE	
20L3200.06	21L3200.01	153
20L3500.06	21L3500.01	203
20L3800.06	21L3800.01	253
20L3900.06	21L3900.01	303

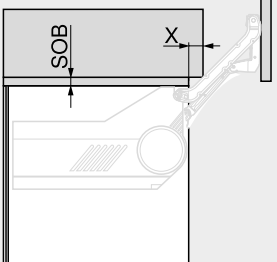
FAo Upper front overlay  
SFA Front overlay of the side panel  
Wall application: min. gap required 5 mm

Planning – narrow alu frames



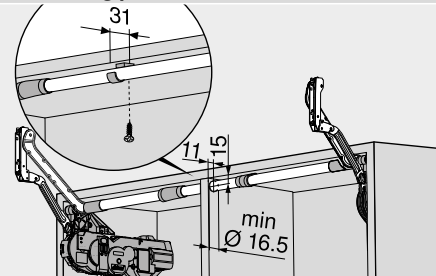
For frame width 19 mm, a side front overlay SFA of 11–18 mm is possible  
\* When changing material thickness, adjust the assembly dimensions accordingly

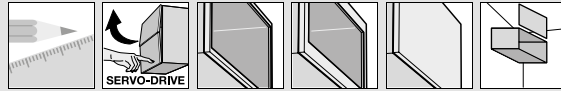
Space requirement – cornice | crown



Top panel thickness SOB (mm)	X (mm)
16	28
18	30
19	31

Connecting piece



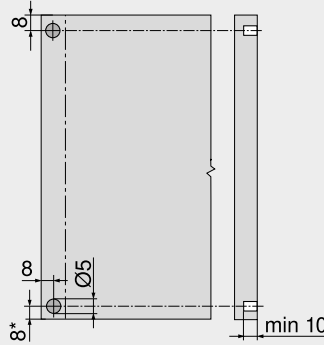
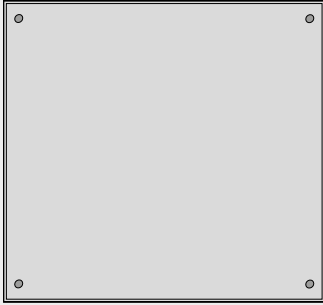


Wooden fronts, wide and narrow alu frames

Webcode  
DQDB2M

Planning

Blum distance bumper (SERVO-DRIVE application only)



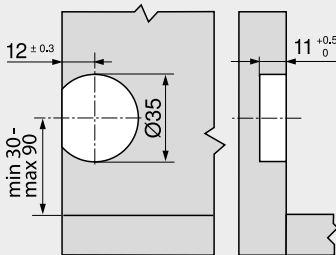
Insert Blum distance bumper (do not glue)

Recommendation for aluminium frames:

Consider drilling for the Blum distance bumper in the cabinet side. A trial application must be carried out when fixing to the front

\* From cabinet front edge for fronts that protrude below

SERVO-DRIVE switch



Page instructions

Overview – AVENTOS HL	59	Assembly, removal and adjustment
Order specification – wooden fronts, wide and narrow alu frames	60	
Overview – assembly devices	595	Short-URL
More technical details	686	<a href="http://www.blum.com/a130">www.blum.com/a130</a>

