

# STAINLESS STEEL RECESSED PULL



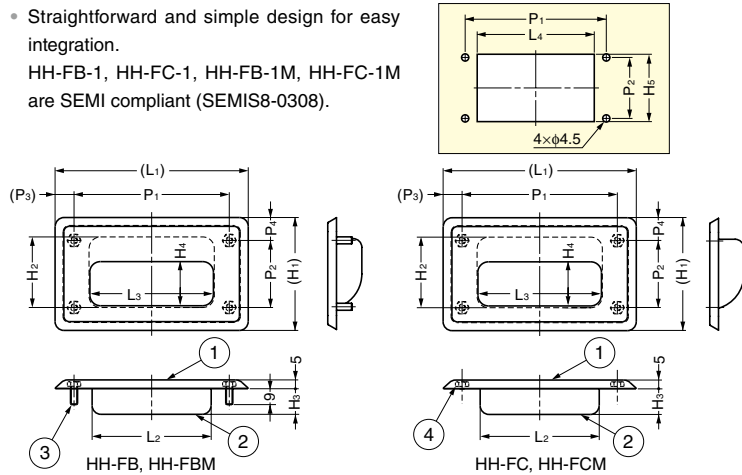
HH



### Features

- Straightforward and simple design for easy integration.
- HH-FB-1, HH-FC-1, HH-FB-1M, HH-FC-1M are SEMI compliant (SEMIS8-0308).

### Cut Out Dimensions



No.	Part Name	Material	Finish
①	Front Plate	Stainless Steel (SUS304)	Satin, Mirror
②	Back Cover	Stainless Steel (SUS304)	Mirror
③	M4 Stud	Stainless Steel (SUS304)	Plain
④	M4 Nut	Stainless Steel (SUS304)	Plain

Item Code	Item Name	Bolt/Nut	L <sub>1</sub>	L <sub>2</sub>	L <sub>3</sub>	L <sub>4</sub>	H <sub>1</sub>	H <sub>2</sub>	H <sub>3</sub>	H <sub>4</sub>	H <sub>5</sub>	P <sub>1</sub>	P <sub>2</sub>	P <sub>3</sub>	P <sub>4</sub>	Weight	Carton
100-010-090	HH-FB-1	M4 Bolt	138	96	95	99	88	62	21	35	64	110	65	14	11.5	170 g	50 pcs
100-010-091	HH-FC-1	M4 Nut	138	96	95	99	88	62	21	35	64	110	65	14	11.5	170 g	50 pcs
100-010-092	HH-FB-2	M4 Bolt	109.5	71	70	73	64	40	14.5	25	42	88	38	10.75	13	100 g	100 pcs
100-010-093	HH-FC-2	M4 Nut	109.5	71	70	73	64	40	14.5	25	42	88	38	10.75	13	100 g	100 pcs
100-010-094	HH-FB-3	M4 Bolt	94	61	60	63	60	43	12	25	45	76	32	9	14	80 g	100 pcs
100-010-095	HH-FC-3	M4 Nut	94	61	60	63	60	43	12	25	45	76	32	9	14	80 g	100 pcs
100-012-104	HH-FB-1M	M4 Bolt	138	96	95	99	88	62	21	35	64	110	65	14	11.5	170 g	50 pcs
100-012-105	HH-FC-1M	M4 Nut	138	96	95	99	88	62	21	35	64	110	65	14	11.5	170 g	50 pcs
100-012-106	HH-FB-2M	M4 Bolt	109.5	71	70	73	64	40	14.5	25	42	88	38	10.75	13	100 g	100 pcs
100-012-107	HH-FC-2M	M4 Nut	109.5	71	70	73	64	40	14.5	25	42	88	38	10.75	13	100 g	100 pcs
100-012-108	HH-FB-3M	M4 Bolt	94	61	60	63	60	43	12	25	45	76	32	9	14	80 g	100 pcs
100-012-109	HH-FC-3M	M4 Nut	94	61	60	63	60	43	12	25	45	76	32	9	14	80 g	100 pcs

# STAINLESS STEEL RECESSED PULL

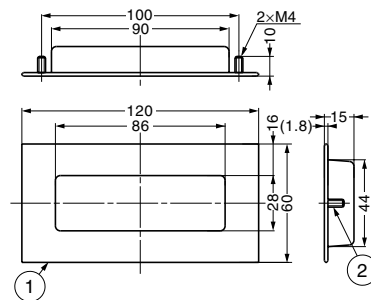


HH-AS2

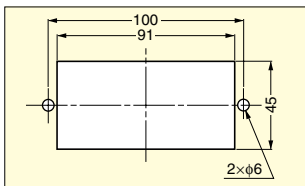


### Parts Included

M4 nut and washer



### Cut Out Dimensions



No.	Part Name	Material	Finish
①	Body	Stainless Steel (SUS304)	Satin
②	Stud bolt	Stainless Steel (SUS304)	Plain

Item Code	Item Name	Weight	Box	Carton
100-019-030	HH-AS2	50 g	12 pcs	240 pcs