

DRAWER RUNNER

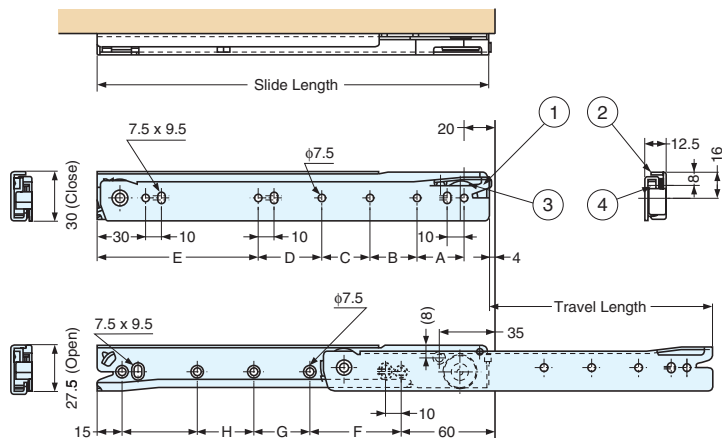
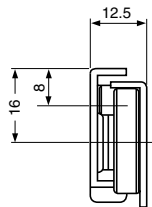
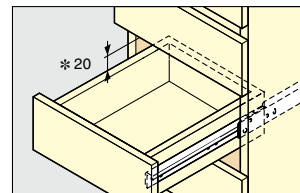
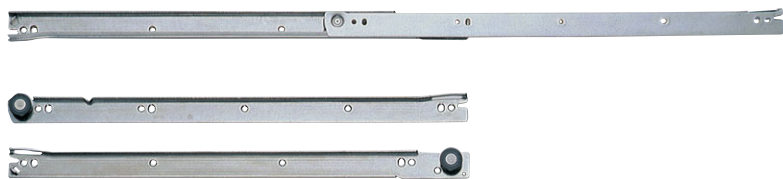
LOAD CAPACITY
15 kg

NO SCREW

STAINLESS
430
STEEL

RKA5 (SUS)

- 3/4 Extension
- Urethane roller provides the smooth and silent movement



No.	Part Name	Material	Finish/Color
①	Inner Rail	430 Stainless Steel	-
②	Outer Rail	430 Stainless Steel	-
③	Roller	Polyurethane	Black
		Polyacetal	Natural
④	Guide	Polyacetal	Natural

Item No.	Rail Length	Travel Length	Inner Rail					Outer Rail				Load Capacity (kg/pair)	Weight (g/pair)	Box (pair)
			A	B	C	D	E	F	G	H	I			
RKA5-300 (SUS430)	296	205	165	-	-	-	115	112.5	112.5	-	-	15	480	20
RKA5-350 (SUS430)	346	250	105	105	-	-	120	91.5	92	91.5	-		570	
RKA5-400 (SUS430)	396	295	127.5	127.5	-	-	125	108.5	108	108.5	-		650	
RKA5-450 (SUS430)	446	340	100	100	100	-	130	125	125	125	-		700	10
RKA5-500 (SUS430)	496	380	113	113	113	-	140	106	106.5	106.5	106		820	
RKA5-550 (SUS430)	546	420	126.5	126.5	126.5	-	150	119	118.5	118.5	119		900	
RKA5-600 (SUS430)	596	460	105	105	105	105	160	131.5	131	131	131.5	980		

DRAWER RUNNER

LOAD CAPACITY
15 kg

NO SCREW

RKA5

- 3/4 Extension
- Urethane roller provides the smooth and silent movement



NO.	Part Name	Material	Finish
①	Inner Rail	Steel	White
②	Outer Rail	Steel	White
③	Roller	Polyurethane	Black
		Polyacetal	Natural
④	Guide	Polyacetal	Natural

*Same drawing as RKA5 (SUS)

Item no.	Slide Length	Travel Length	A	B	C	D	E	F	G	H	I	Holes		Load Capacity (kg/pair)	Weight (g/pair)	Box (pair)
												Inner	Outer			
RKA5-300	296	205	165	-	-	-	115	112.5	112.5	-	-	6	6	15	480	20
RKA5-350	346	250	105	105	-	-	120	91.5	92	91.5	-	7	7		570	20
RKA5-400	396	295	127.5	127.5	-	-	125	108.5	108	108.5	-	7	7		650	20
RKA5-450	446	340	100	100	100	-	130	125	125	125	-	8	7		700	10
RKA5-500	496	380	113	114	113	-	140	106	106.5	106.5	106	8	8		820	10
RKA5-550	546	420	126.5	127	126.5	-	150	119	118.5	118.5	119	8	8		900	10
RKA5-600	596	460	105	105	105	105	160	131.5	131	131	131.5	9	8	980	10	