

# MINI GUIDE BLOCK & RAIL

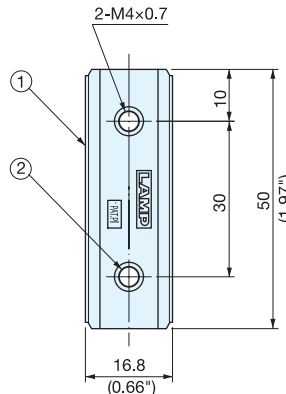
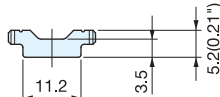


# MRS20, MR-20CS

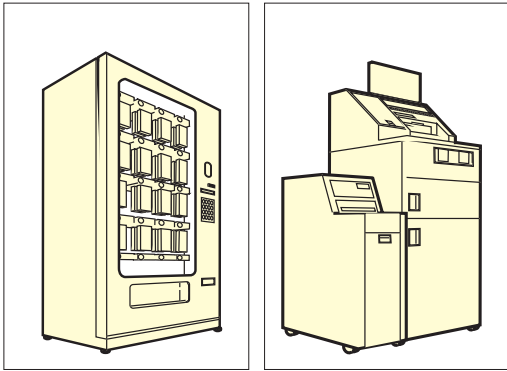
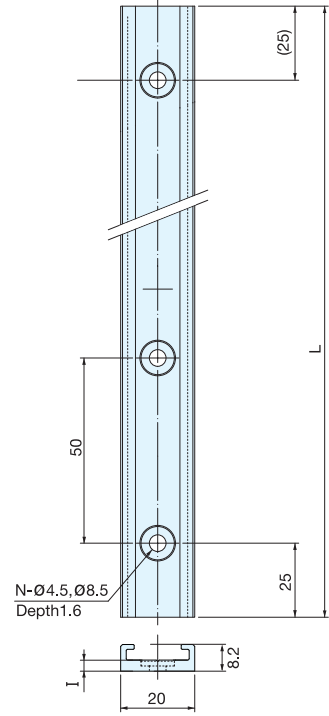
- Perfect for small stroke application
- No grease needed



MR-20CS



MR-20CS



Application

Material	Finish
Aluminum	Anodized

25.4mm=1"

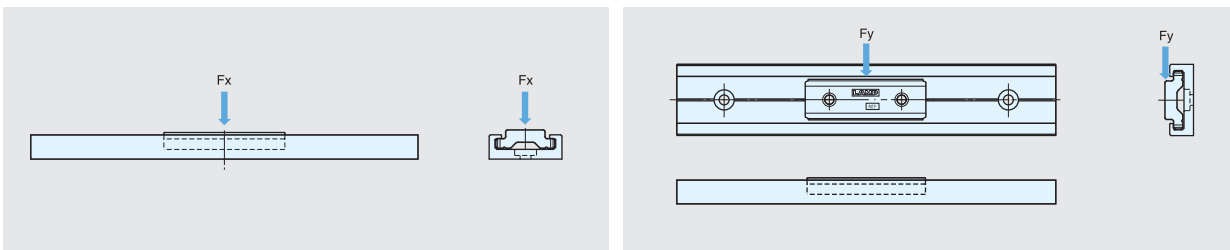
\*Both ends are not anodized.

Item No.	I	L	N	Weight (g)	Box (pcs)
MRS20- 100	3	100 ( 3-15/16" )	2	20	200
MRS20- 200	3	200 ( 7-7/8" )	4	40	200
MRS20- 400	3	400 ( 15-3/4" )	8	80	100
MRS20- 800	3	800 ( 31-1/2" )	16	160	80
MRS20- 2000	3	2000 ( 78-3/4" )	40	400	30

No.	Material	Finish
①	Polyethylene (UL 94HB)	Grey
②	304 Stainless Steel	Plain

Item No.	Weight (g)	Box (pcs)	Carton(pcs)
MR-20CS	7	50	1000

## MRS 20, MR-20CS LOAD CAPACITY INFORMATION



Horizontal Static Load Fx	30.6 kgf ( 67.5 lbs )
Vertical Static Load Fy	17.8 kgf ( 39.2 lbs )

### ◆ Reduction Factor

Certain reduction needs to be applied depending on application or environment  
 Low speed / Low operation frequency = 70% to 100% of Load Capacity  
 Moderate speed / High operation frequency = 35% to 65% of Load Capacity  
 High operation frequency with Vibration & Shocks = 10% to 30% of Load Capacity