

LINEAR BALL BEARING GUIDE

LOAD CAPACITY
5 kg
11 lbs

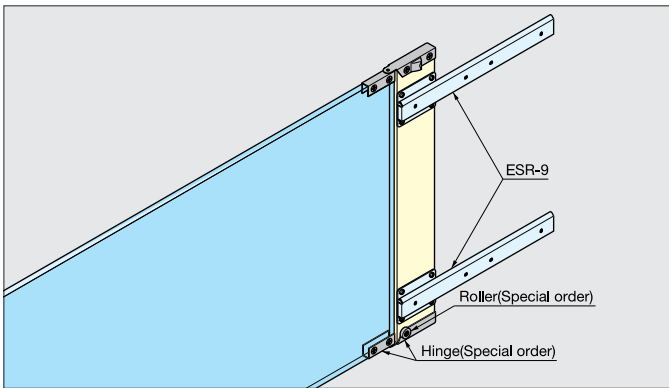
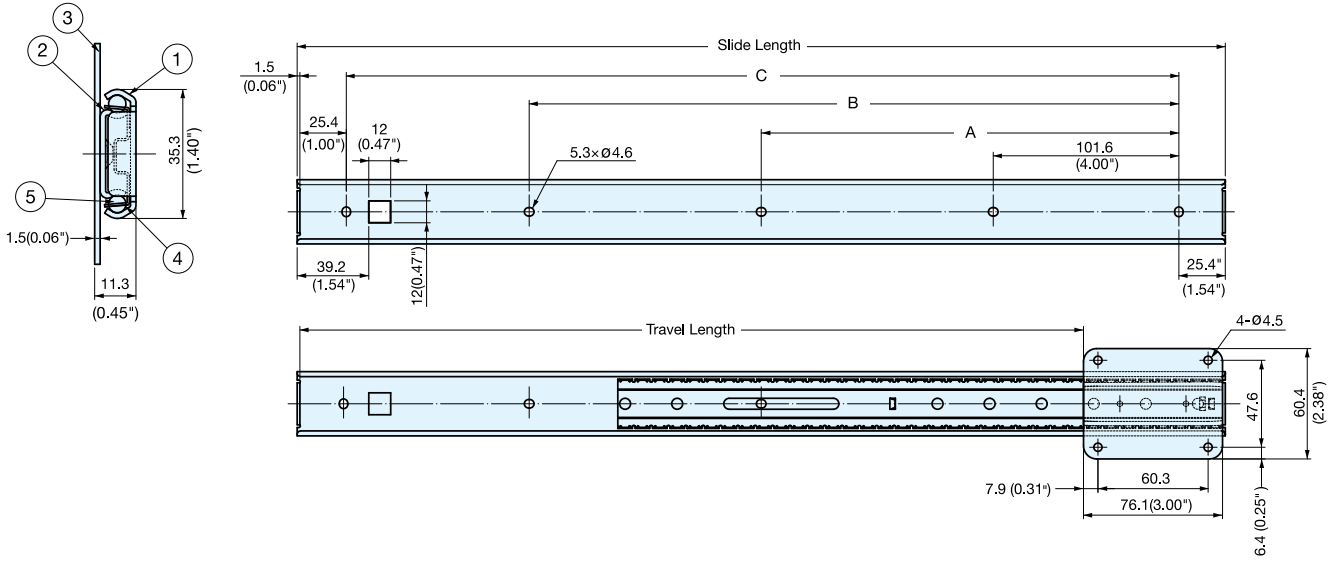
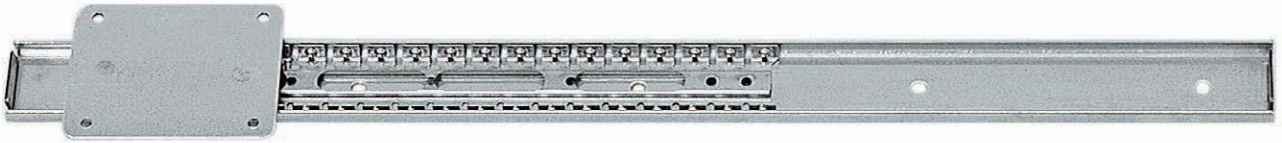
NO SCREW

STAINLESS
304
STEEL

ESR-9

DRAWER SLIDES

STAINLESS STEEL SLIDES



Installation

- Mounting plate attached type
- Mount with M4 or #8 Binding, Pan, or Truss head screws

25.4mm=1"

No.	Part	Material
①	Outer Rail	304 Stainless Steel
②	Inner Rail	
③	Mounting Plate	
④	Retainer	
⑤	Balls	

Item No.	Slide Length	Travel Length	A	B	C	# of Holes Outer Rail	Load Capacity (kg/pair)	Weight (g)	Box (pcs)
ESR-9-12	304.8 (12")	225 (8-7/8")	-	152.4	254	4	5 (11 lbs)	290	24
ESR-9-14	355.6 (14")	276 (10-7/8")	-	203.2	304.8			330	
ESR-9-16	406.4 (16")	327 (12-7/8")	-	254	355.6			360	
ESR-9-18	457.2 (18")	378 (14-7/8")	203.2	304.8	406.4	5		390	
ESR-9-20	508 (20")	428 (16-7/8")	228.6	355.6	457.2			430	
ESR-9-22	558.8 (22")	479 (18-7/8")	254	406.4	508			460	
ESR-9-24	609.6 (24")	530 (20-7/8")	279.4	457.2	558.8			500	
ESR-9-26	660.4 (26")	581 (22-7/8")	304.8	508	609.6			530	
ESR-9-28	711.2 (28")	632 (24-7/8")	330.2	558.8	660.4	560			