

FULL EXTENSION SLIDE

LOAD CAPACITY
182-272 kg
400-599 lbs

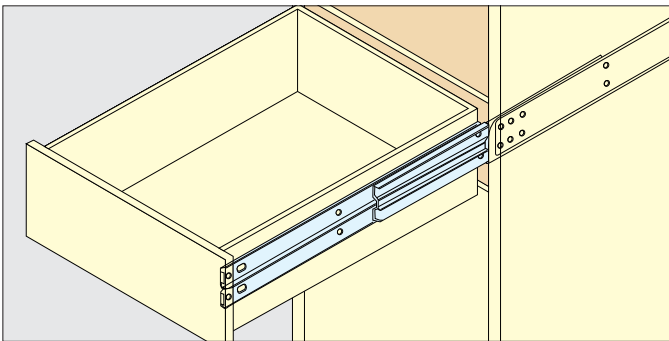
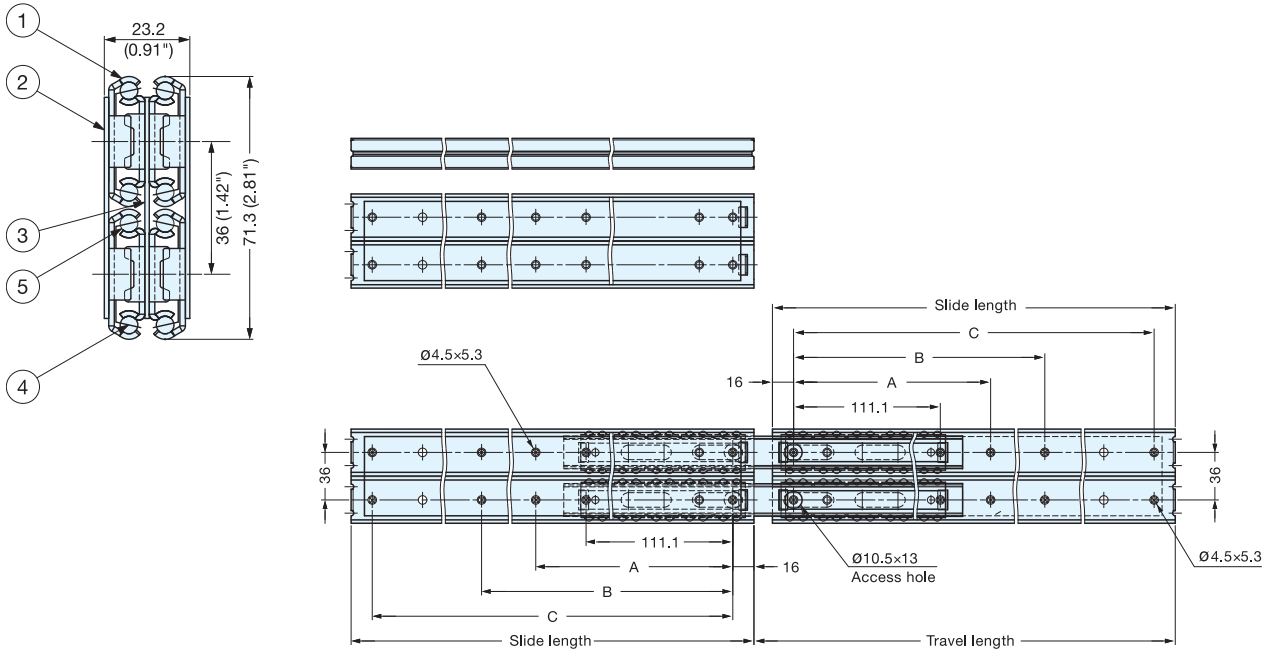
NO SCREW

STAINLESS 304 STEEL

ESR-10

DRAWER SLIDES

STAINLESS STEEL SLIDES



Installation

- Full extension
- Positive stop
- Non-handed
- Heavy duty
- Mount with M4 or #8 Binding, Pan, or Truss head screws

25.4mm=1"

No.	Part	Material
①	Outer Rail	304 Stainless Steel
②	Tie Plate	
③	Intermediate Member	
④	Retainer	
⑤	Balls	

Item No.	Slide Length	Travel Length	A	B	C	# of Holes	Load Capacity (kg/pair)	Weight (g)	Box (pcs)
ESR-10-12	305 (12")	319 (12-9/16")	-	149.2	273	16	272 (599 lbs)	1670	8
ESR-10-14	355.8 (14")	369.8 (14-9/16")	-	200	323.8		268 (590 lbs)	2000	
ESR-10-16	406.6 (16")	420.6 (16-9/16")	-	250.8	374.6		259 (570 lbs)	2340	
ESR-10-18	457.4 (18")	471.4 (18-9/16")	212.7	301.6	425.4	20	250 (550 lbs)	2500	6
ESR-10-20	508.2 (20")	522.2 (20-9/16")	238.1	352.4	476.2		241 (530 lbs)	2840	
ESR-10-22	559 (22")	573 (22-9/16")	263.5	403.2	527		229 (504 lbs)	3250	
ESR-10-24	609.8 (24")	623.8 (24-9/16")	288.9	454	577.8		216 (475 lbs)	3500	
ESR-10-26	660.6 (26")	674.6 (26-9/16")	314.3	504.8	628.6		200 (440 lbs)	3840	
ESR-10-28	711.4 (28")	725.4 (28-9/16")	339.7	555.6	679.4	182 (400 lbs)	4170	4	