

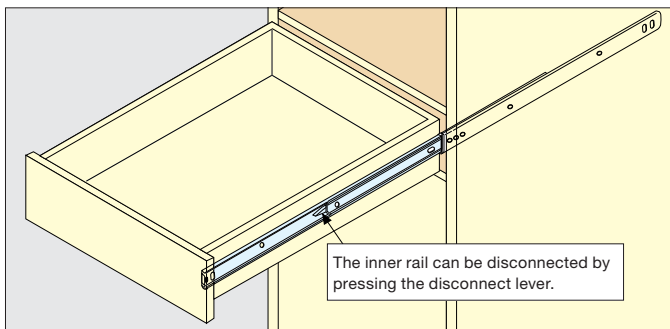
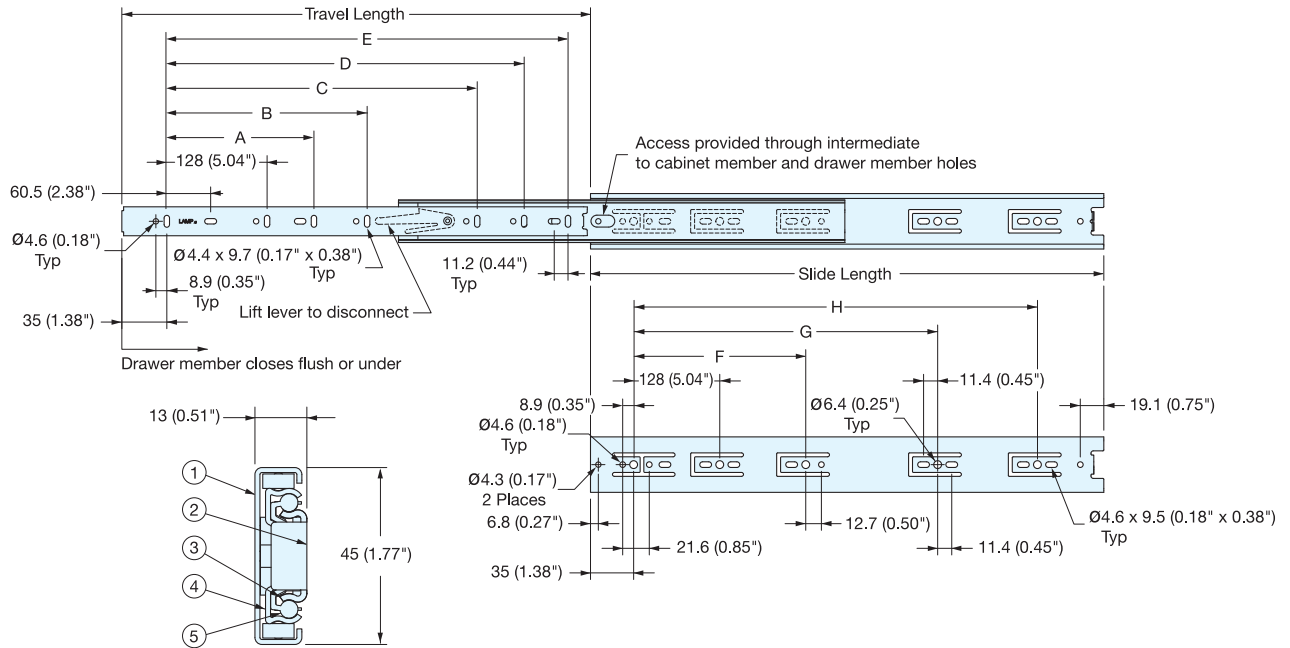
# FULL EXTENSION SLIDE

**LOAD CAPACITY**  
40-52 kg  
87-115 lbs

**NO SCREW**

**STAINLESS 304 STEEL**

# ESR-4513



Installation

- Full extension
- Front disconnect
- Positive stop
- Non-handed
- Hold-in detent
- Sold in pairs
- Mount with M4 or #8 Binding, Pan, or Truss head screws.

25.4mm=1"

No.	Part	Material
①	Outer Rail	304 Stainless Steel
②	Inner Rail	
③	Retainer	
④	Intermediate Member	
⑤	Balls	

Item No.	Slide Length	Travel Length	A	B	C	D	E	F	G	H	Load Capacity (kg/pair)	Weight (g)	Box (Pair)
ESR-4513-10	250 ( 9-27/32")	243 ( 9-9/16")	-	-	-	-	192	-	-	-	52 (115 lbs)	743 ( 1.64 lbs)	10
ESR-4513-12	300 (11-13/16")	305 ( 12" )	-	-	-	-	242	224	-	-	50 (111 lbs)	932 ( 2.05 lbs)	
ESR-4513-14	350 (13-25/32")	355 ( 14" )	-	-	-	-	292	224	-	-	49 (108 lbs)	1070 ( 2.36 lbs)	
ESR-4513-16	400 ( 15-3/4" )	406 ( 16" )	-	-	-	-	342	224	320	-	47 (104 lbs)	1223 ( 2.70 lbs)	
ESR-4513-18	450 (17-23/32")	457 ( 18" )	-	-	320	-	392	224	352	-	46 (100 lbs)	1376 ( 3.03 lbs)	
ESR-4513-20	500 (19-11/16")	508 ( 20" )	-	-	320	-	442	224	416	-	44 ( 97 lbs)	1530 ( 3.37 lbs)	
ESR-4513-22	550 (21-21/32")	559 ( 22" )	-	-	320	416	492	224	352	448	43 ( 95 lbs)	1682 ( 3.71 lbs)	
ESR-4513-24	600 ( 23-5/8" )	610 ( 24" )	224	-	416	-	542	224	352	480	42 ( 92 lbs)	1835 ( 4.05 lbs)	
ESR-4513-26	650 (25-19/32")	660 ( 26" )	224	-	416	544	592	224	352	544	41 ( 90 lbs)	1988 ( 4.38 lbs)	
ESR-4513-28	700 ( 27-9/16" )	711 ( 28" )	224	288	416	544	642	224	352	544	40 ( 87 lbs)	2141 ( 4.72 lbs)	