

PUSH TO OPEN SLIDE

LOAD CAPACITY
20-45 kg

4x12
STEEL

4060

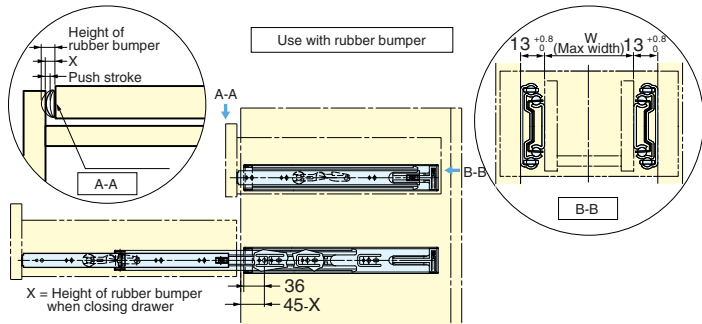
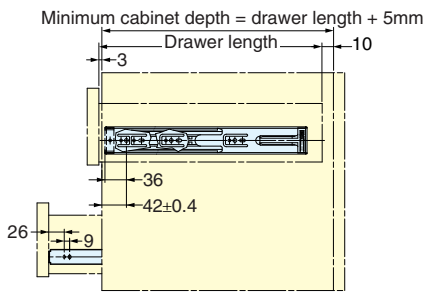
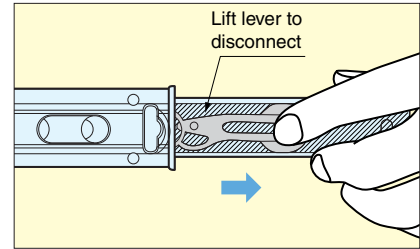
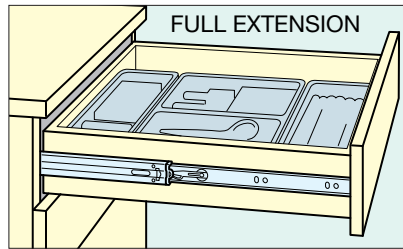
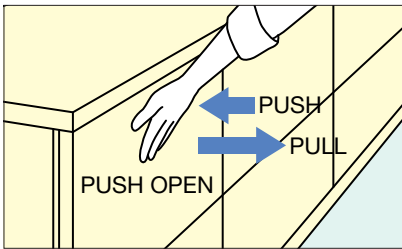
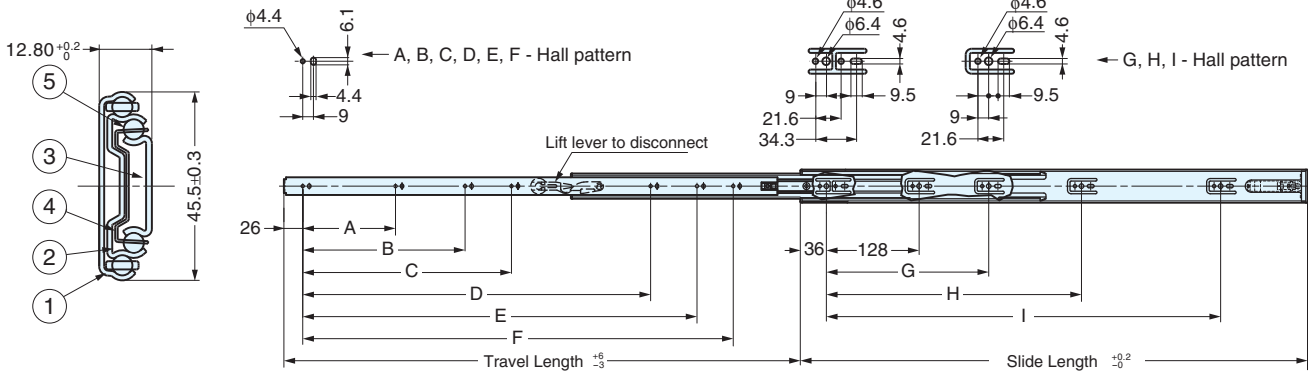
DRAWER SLIDES

PUSH TO OPEN SLIDE

- Push to open
- No handle or knobs required for a sleek modern look
- Push again to close - drawer slide automatically latches, no other latches or catches required
- Front disconnect - easy remove drawer
- Full extension maximizes load capacity



PAT.P



No.	Part Name	Material
①	Outer Rail	Steel
②	Intermediate Member	
③	Inner Rail	
④	Retainer	
⑤	Balls	-

Item no.	Slide Length	Travel Length	A	B	C	D	E	F	G	H	I	W	Load Capacity (kg/pair)	Weight (g)	Box (pair)
4060-250	250	238	-	-	-	-	-	156			106	450	20	700	10
4060-300	300	305	-	-	-	-	-	200			128	500	25	840	10
4060-350	350	356	96	-	-	-	-	256			192	550	35	960	10
4060-400	400	406	128	-	-	-	-	294			224	600	40	1100	10
4060-450	450	457	96	160	-	-	-	344			288	650	45	1290	10
4060-500	500	508	96	160	352	-	-	394	224		352	700	45	1420	10
4060-550	550	559	128	192	384	-	-	444	224		352	750	40	1570	10
4060-600	600	610	128	224	416	-	-	494	224	352	448	800	40	1710	10
4060-650	650	660	128	224	416	480	-	544	224	352	480	850	35	1880	10
4060-700	700	711	128	224	288	480	544	594	224	352	544	900	35	2040	10