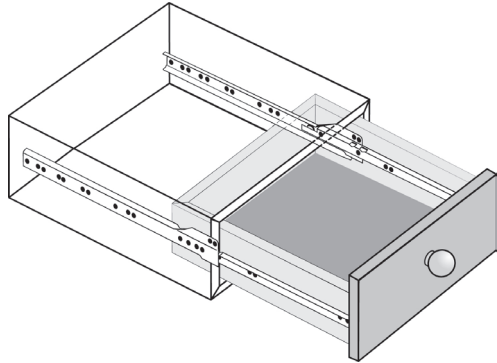




# ROTHLEY



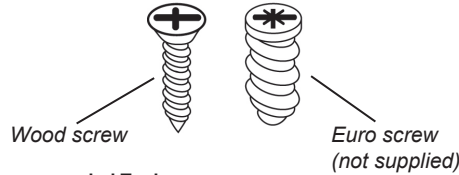
## Side-Mount Drawer Slides

### Before You Begin

- Read the instruction leaflet completely before starting.
- Make sure all parts are included.

### Parts List

- Cabinet Members – (1) Left and (1) Right
- Drawer Members – (1) Left and (1) Right
- (12) #5 wood screws



### Recommended Tools

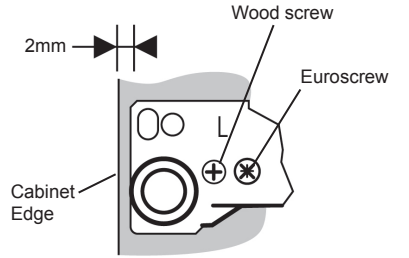
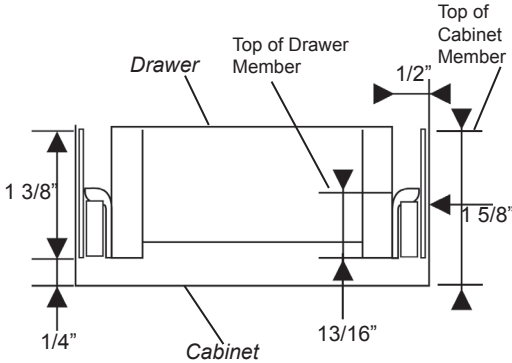
- Screwdriver
- Pencil or Scribe
- Tape measure or ruler
- Level

### Data

- 50lb (22kg) maximum holding capacity per pair
- Length of 14" – 24"
- Right side captive member (Holds drawer in place)
- Elongated screw holes for alignment
- Cabinet members are marked with a L (left) and R (right)

### Specifications

- Both sides of drawer must have 1/2" (12.5mm) clearance.
- Bottom of drawer must have 1/4" (6.4mm) clearance.
- Top of drawer must have 5/8" (15.9mm) minimum clearance.
- Cabinet members are inset in 2mm (5/64") from the edge of the cabinet.
- Look at cabinet member for screw positioning.
- The holes that are slightly smaller are for wood screws. The larger holes are for Euro screws



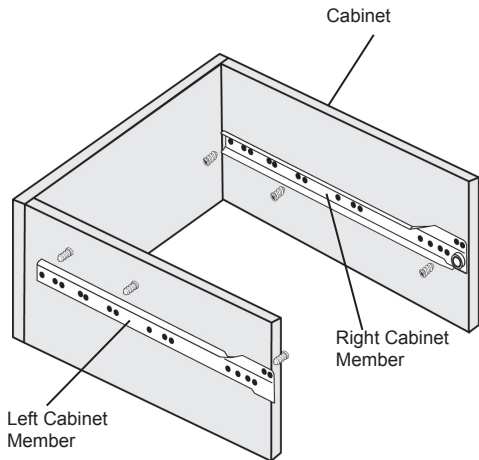
# ROTHLEY

Rothley Ltd.  
Macrome Road, Wolverhampton  
West Midlands WV6 8AY  
[www.rothley.com](http://www.rothley.com)



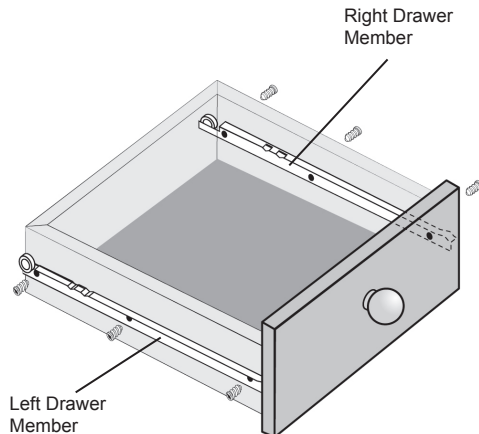
### 1. Installing Cabinet Members to Cabinet

Place cabinet member into position and fasten with one screw in front. Next, use a level to align properly and fasten rest of screws.



### 2. Installing Drawer Members to Drawer

Place drawer members into position with rollers located in the rear. Use a level to align drawer members and fasten with screws.



### 3. Final Steps

Insert Drawer into cabinet by placing drawer member rollers over cabinet member rollers. To remove drawer, pull to where it stops, then lift and pull out.