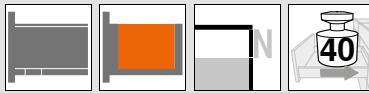


Box systems

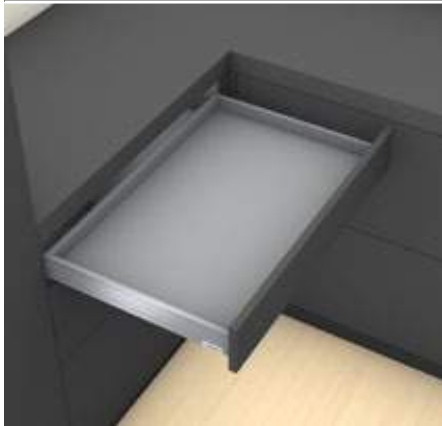
blum

- ▶ **LEGRABOX**
- ▶▶ **Standard cabinet**



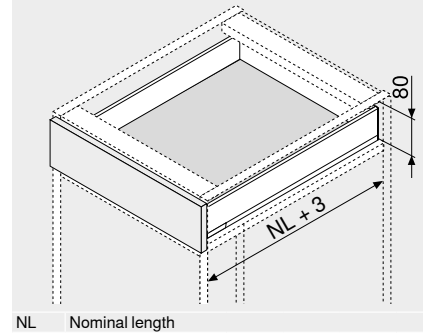
Drawer – N

Webcode
DQBMJY



- Suitable for LEGRABOX pure and LEGRABOX free
- Slim drawer side 12.8 mm
- Straight interior and exterior
- Synchronised feather-light glide
- Steel drawer side and stainless steel
- Tool-free front assembly
- Two-dimensional front setting in the drawer side
- Includes integrated, switchable **BLUMOTION S** for silent and effortless closing, and can be combined with **TIP-ON BLUMOTION** or **SERVO-DRIVE**

Space requirement



Box systems

Order information

1	Cabinet profiles left/right
	BLUMOTION S
Nominal length	Dynamic carrying capacity (kg)
NL (mm)	40
400	750.4001S
450	750.4501S
500	750.5001S
550	750.5501S

2	Drawer side set
	Colour
Nominal length	TS-M OG-M PS-M SW-M
NL (mm)	INGL
400	770N4002S
450	770N4502S
500	770N5002S
550	770N5502S

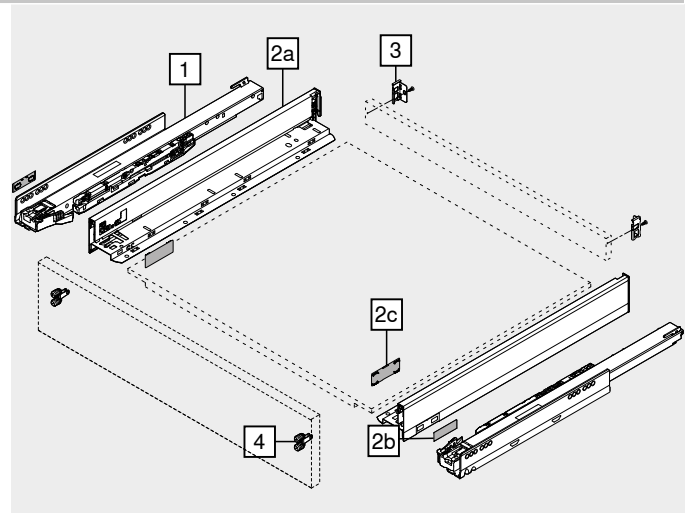
Composed of:

- 2a 1 x Left/right drawer sides
- 2b 2 x Customer branding
- 2c 2 x Cover caps

3	Back fixing left/right
	Colour
	Material
	Part no.
	TS-M OG-M PS-M SW-M NI
	Steel
	ZB7N000S

4	Front fixing bracket
	Fixing method
	Part no.
	Screw-on
	2 x ZF7N7002
	EXPANDO
	2 x ZF7N70E2
	EXPANDO T
	2 x ZF7N70T2

EXPANDO T suitable for thin fronts – see page instructions



a Accessories

–	Chipboard screws
	Ø (mm)
	Length (mm)
	Part no.
	3.5
	15
	609.1500
	3.5
	17
	609.1700

For front fixing

–	Fixing screw
	Ø (mm)
	Length (mm)
	Part no.
	4
	15
	61D.1500

For the connection of chipboard back fixings with chipboard back and drawer side with drawer bases

In order to achieve optimal assembly, we recommend that you use flat headed screws

Colour		Colour	
TS-M	Terra black matt	SW-M	Silk white matt
OG-M	Orion grey matt	INGL	Stainless steel (Inox) Anti-fingerprint
PS-M	Polar silver matt	NI	Nickel plated



Drawer – N

Webcode
DQBMJY

Planning

Space requirement in cabinet	Installation dimensions – front – screw-on	Drilling distances – front – EXPANDO front	Installation dimensions – back
<p>* +1 mm if cabinet profile is installed before the cabinet is assembled</p>	<p>FA Front overlay * +1 mm if cabinet profile is installed before the cabinet is assembled</p>	<p>* +1 mm if cabinet profile is installed before the cabinet is assembled</p>	

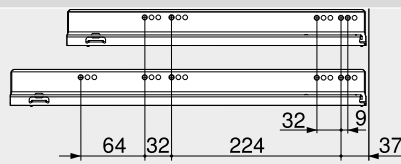
Screw position – cabinet profiles

Cabinet profile 750 – 40 kg

Nominal length NL (mm)

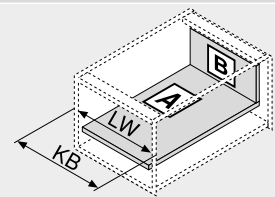
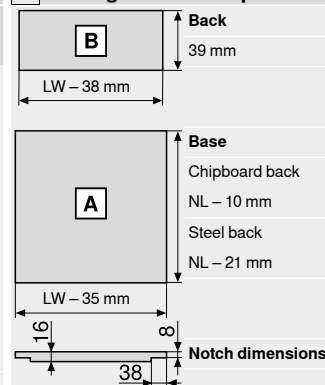
400–500

550



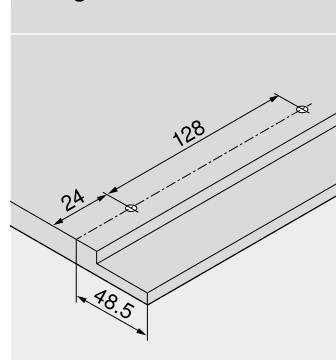
Internal cabinet depth LT min. = nominal length NL + 3 mm

Cutting – 16 mm chipboard



KB Cabinet width
LW Internal cabinet width
NL Nominal length

Drilling distances – drawer base



Page instructions

Overview – LEGRABOX	219	TIP-ON for LEGRABOX	266	Assembly, removal and adjustment	
Fixing system for thin fronts – EXPANDO T	588	CABLOXX	586		
Assembly recommendation and limitation of liability – EXPANDO T	589	Accessories – steel back	257	Short-URL	
		Accessories	257		
Overview – SERVO-DRIVE for LEGRABOX TANDEMBOX	379	Cabinet profile fixing positions	261	www.blum.com/a310	
TIP-ON BLUMOTION for LEGRABOX	262	Overview – assembly devices	595		
		More technical details	686		