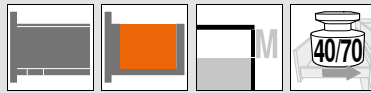


## Box systems

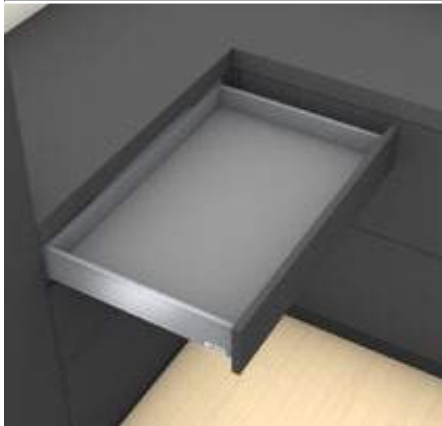


- ▶ **LEGRABOX**
- ▶▶ **Standard cabinet**



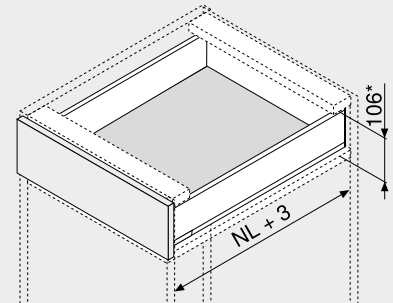
### Drawer – M

Webcode  
DQBN9A



- Suitable for LEGRABOX pure and LEGRABOX free
- Slim drawer side 12.8 mm
- Straight interior and exterior
- Synchronised feather-light glide
- Steel drawer side and stainless steel
- Tool-free front assembly
- Three-dimensional front adjustment in the drawer side
- Includes integrated, switchable **BLUMOTION S** for silent and effortless closing, and can be combined with **TIP-ON BLUMOTION** or **SERVO-DRIVE**

#### Space requirement



NL Nominal length  
\* Incl. 2 mm tilt adjustment

#### Order information

1	Cabinet profiles left/right	
	<b>BLUMOTION S</b>	
Nominal length	Dynamic carrying capacity (kg)	
NL (mm)	40	70
270	750.2701S	
300	750.3001S	
350	750.3501S	
400	750.4001S	
450	750.4501S	753.4501S
500	750.5001S	753.5001S
550	750.5501S	753.5501S
600	750.6001S	753.6001S
650		753.6501S

2	Drawer side set	
	<b>Colour</b>	
Nominal length	TS-M   OG-M   PS-M   SW-M	INGL
NL (mm)		
270	770M2702S	770M2702I
300	770M3002S	770M3002I
350	770M3502S	770M3502I
400	770M4002S	770M4002I
450	770M4502S	770M4502I
500	770M5002S	770M5002I
550	770M5502S	770M5502I
600	770M6002S	770M6002I
650	770M6502S	770M6502I

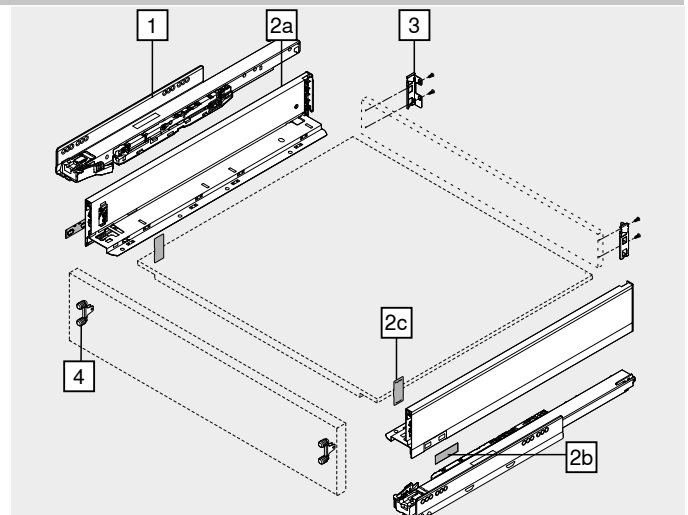
#### Composed of:

- 2a 1 x Left/right drawer sides  
2b 2 x Customer branding  
2c 2 x Cover caps

3	Back fixing left/right		
	<b>Colour</b>	<b>Material</b>	<b>Part no.</b>
	TS-M   OG-M   PS-M   SW-M   NI	Steel	ZB7M000S

4	Front fixing bracket		
	<b>Fixing method</b>		<b>Part no.</b>
	Screw-on	2 x	ZF7M7002
	EXPANDO	2 x	ZF7M70E2
	EXPANDO T	2 x	ZF7M70T2

EXPANDO T suitable for thin fronts – see page instructions



#### a Accessories

–	Chipboard screws		
	Ø (mm)	Length (mm)	Part no.
	3.5	15	609.1500
	3.5	17	609.1700

For front fixing

–	Fixing screw		
	Ø (mm)	Length (mm)	Part no.
	4	15	61D.1500

For the connection of chipboard back fixings with chipboard back and drawer side with drawer bases  
In order to achieve optimal assembly, we recommend that you use flat headed screws

Colour		Colour	
TS-M	Terra black matt	SW-M	Silk white matt
OG-M	Orion grey matt	INGL	Stainless steel (Inox) Anti-fingerprint
PS-M	Polar silver matt	NI	Nickel plated



Drawer – M

Webcode  
DQBN9A

Planning

Space requirement in cabinet	Installation dimensions – front – screw-on	Drilling distances – front – EXPANDO front	Installation dimensions – back
<p>* +1 mm if cabinet profile is installed before the cabinet is assembled Incl. 2 mm tilt adjustment</p>	<p>FA Front overlay * +1 mm if cabinet profile is installed before the cabinet is assembled</p>	<p>* +1 mm if cabinet profile is installed before the cabinet is assembled</p>	

Screw position – cabinet profiles

Cabinet profile 750 – 40 kg

Nominal length NL (mm)

270	
300–350	
400–500	
550, 600	

Cabinet profile 753 – 70 kg

Nominal length NL (mm)

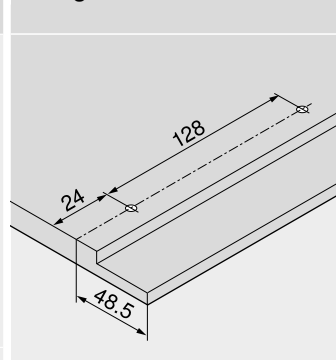
450	
500–600	
650	

Internal cabinet depth LT min. = nominal length NL + 3 mm

Cutting – 16 mm chipboard

<p>Back 63 mm LW – 38 mm</p>	<p>KB Cabinet width LW Internal cabinet width NL Nominal length</p>
<p>Base Chipboard back NL – 10 mm Steel back NL – 21 mm LW – 35 mm 16 38 Notch dimensions</p>	

Drilling distances – drawer base



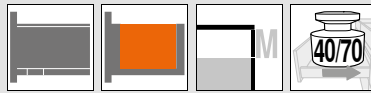
Page instructions

Overview – LEGRABOX	219	TIP-ON for LEGRABOX	266	Assembly, removal and adjustment	
Fixing system for thin fronts – EXPANDO T	588	Overview – AMBIA-LINE for LEGRABOX CABLOXX	539 586		
Assembly recommendation and limitation of liability – EXPANDO T	589	Accessories – steel back Accessories	257 257	Short-URL www.blum.com/a310	
Overview – SERVO-DRIVE for LEGRABOX   TANDEMBOX	379	Cabinet profile fixing positions	261		
TIP-ON BLUMOTION for LEGRABOX	262	Overview – assembly devices More technical details	595 686		

## Box systems



- ▶ **LEGRABOX**
- ▶▶ **Standard cabinet**



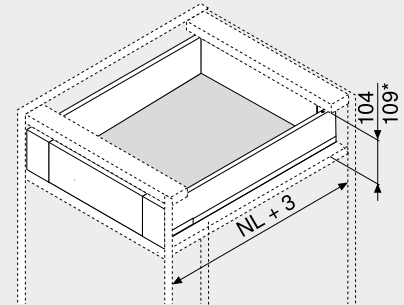
### Inner drawer – M

Webcode  
DQBPA



- Suitable for LEGRABOX pure and LEGRABOX free
- Inner drawer with solid front piece
- Slim drawer side 12.8 mm
- Straight interior and exterior
- Synchronised feather-light glide
- Steel drawer side and stainless steel
- Tool-free front assembly
- Three-dimensional front adjustment in the drawer side
- Includes integrated, switchable **BLUMOTION S** for silent and effortless closing, and can be combined with **TIP-ON BLUMOTION** or **SERVO-DRIVE**

#### Space requirement



NL Nominal length  
\* Inner drawer with latch set

#### Order information

1	Cabinet profiles left/right	
	<b>BLUMOTION S</b>	
Nominal length	Dynamic carrying capacity (kg)	
NL (mm)	40	70
270	750.2701S	
300	750.3001S	
350	750.3501S	
400	750.4001S	
450	750.4501S	753.4501S
500	750.5001S	753.5001S
550	750.5501S	753.5501S
600	750.6001S	753.6001S
650		753.6501S

2	Drawer side set	
	<b>Colour</b>	
Nominal length	TS-M   OG-M   PS-M   SW-M	INGL
NL (mm)		
270	770M2702S	770M2702I
300	770M3002S	770M3002I
350	770M3502S	770M3502I
400	770M4002S	770M4002I
450	770M4502S	770M4502I
500	770M5002S	770M5002I
550	770M5502S	770M5502I
600	770M6002S	770M6002I
650	770M6502S	770M6502I

#### Composed of:

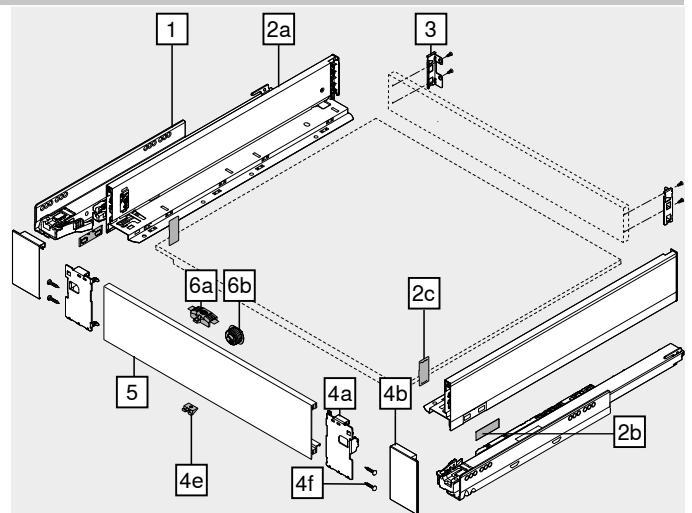
- 2a 1 x Left/right drawer sides
- 2b 2 x Customer branding
- 2c 2 x Cover caps

3	Back fixing left/right		
	<b>Colour</b>	<b>Material</b>	<b>Part no.</b>
	TS-M   OG-M   PS-M   SW-M   NI	Steel	ZB7M000S

4	Front piece set		
	<b>Colour</b>	<b>Material</b>	<b>Part no.</b>
	TS-M   OG-M   PS-M   SW-M	Steel	ZI7.0MS0
	INGL	Stainless steel	ZI7.0MI0

#### Composed of:

- 4a 1 x Front fixing left/right
- 4b 1 x Outer cover cap left/right
- 4e 1 x Locking piece
- 4f 4 x Screws



5	Front piece without groove		
	<b>Colour</b>	<b>Length (mm)</b>	<b>Part no.</b>
	TS-M   OG-M   PS-M   SW-M   NI-M	1043	ZV7.1043C01
Suitable for cabinet width KB 1200 mm			
Cutting Internal cabinet width LW – 126 mm			

#### a Accessories

6	Latch set		
	<b>Colour</b>	<b>Material</b>	<b>Part no.</b>
	TS-M   OG-M   PS-M   SW-M	Nylon	ZI7.0M07

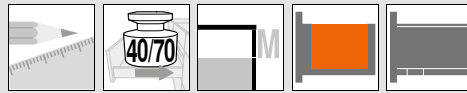
#### Composed of:

- 6a 1 x Latch
- 6b 1 x Latch housing  
RAL 7037 dust grey  
TS-M Also for INGL

-	Fixing screw		
	<b>Ø (mm)</b>	<b>Length (mm)</b>	<b>Part no.</b>
	4	15	61D.1500

For the connection of chipboard back fixings with chipboard back and drawer side with drawer bases  
In order to achieve optimal assembly, we recommend that you use flat headed screws

Colour		Colour	
TS-M	Terra black matt	INGL	Stainless steel (Inox) Anti-fingerprint
OG-M	Orion grey matt	NI	Nickel plated
PS-M	Polar silver matt	NI-M	Matt nickel
SW-M	Silk white matt		



Inner drawer – M

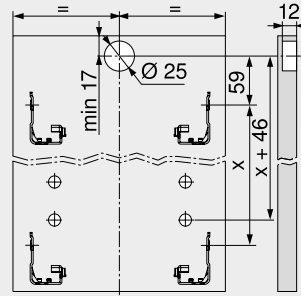
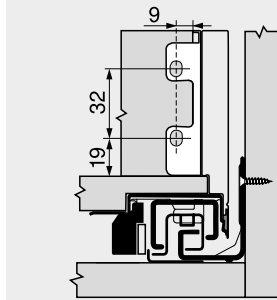
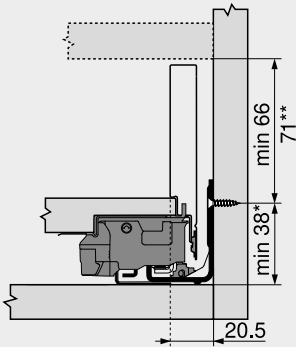
Webcode  
DQBPA

Planning

Space requirement in cabinet

Installation dimensions – back

Drilling distances – front – latch housing

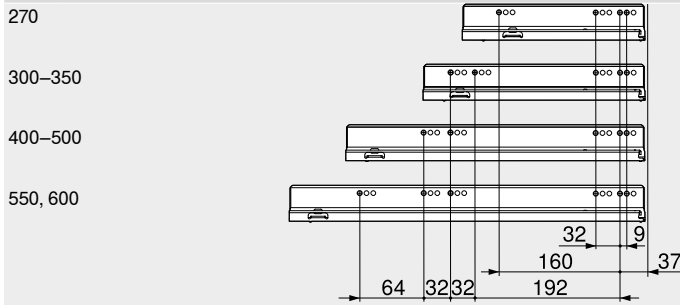


\* +1 mm if cabinet profile is installed before the cabinet is assembled  
\*\* Inner drawer with latch set possible from height 71 mm

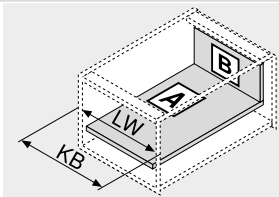
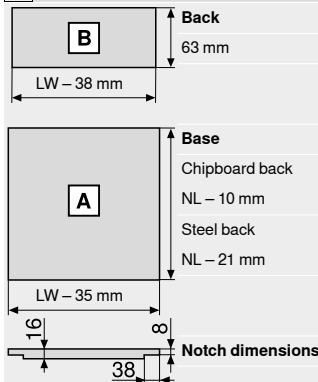
Screw position – cabinet profiles

Cabinet profile 750 – 40 kg

Nominal length NL (mm)



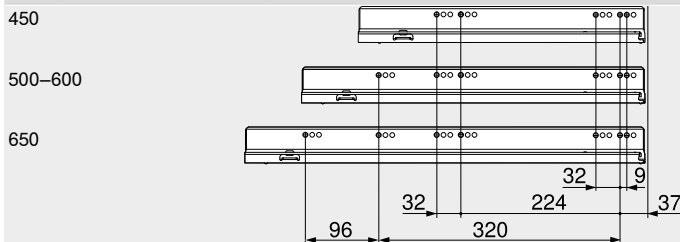
Cutting – 16 mm chipboard



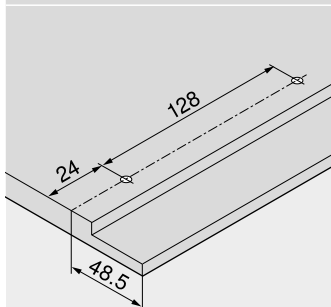
KB Cabinet width  
LW Internal cabinet width  
NL Nominal length

Cabinet profile 753 – 70 kg

Nominal length NL (mm)




Drilling distances – drawer base



Internal cabinet depth LT min. = nominal length NL + 3 mm

Page instructions

Overview – LEGRABOX	219	Accessories	257	<b>Assembly, removal and adjustment</b>  Short-URL <a href="http://www.blum.com/a310">www.blum.com/a310</a>
Overview – SERVO-DRIVE for LEGRABOX   TANDEMBOX	379	Cabinet profile fixing positions	261	
TIP-ON BLUMOTION for LEGRABOX	262	Overview – assembly devices	595	
TIP-ON for LEGRABOX	266	More technical details	686	
Overview – AMBIA-LINE for LEGRABOX	539			
CABLOXX	586			
Accessories – steel back	257			