

## Box systems



- ▶ **LEGRABOX**
- ▶▶ **Standard cabinet – LEGRABOX pure**



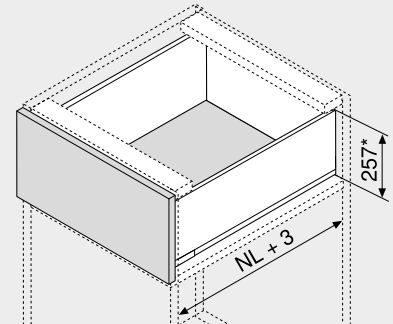
### High fronted pull-out – F

Webcode  
DQBRHA



- Slim drawer side 12.8 mm
- Straight interior and exterior
- Synchronised feather-light glide
- Steel drawer side and stainless steel
- Tool-free front assembly
- Three-dimensional front adjustment in the drawer side
- Includes integrated, switchable **BLUMOTION S** for silent and effortless closing, and can be combined with **TIP-ON BLUMOTION** or **SERVO-DRIVE**

#### Space requirement



NL Nominal length  
\* Incl. 2 mm tilt adjustment

#### Order information

1	Cabinet profiles left/right	
	<b>BLUMOTION S</b>	
Nominal length	Dynamic carrying capacity (kg)	
NL (mm)	40	70
400	750.4001S	
450	750.4501S	753.4501S
500	750.5001S	753.5001S
550	750.5501S	753.5501S
600	750.6001S	753.6001S
650		753.6501S

2	Drawer side set	
	<b>Colour</b>	
Nominal length	TS-M   OG-M   PS-M	INGL
NL (mm)	SW-M   NI	
400	770F4002S	770F4002I
450	770F4502S	770F4502I
500	770F5002S	770F5002I
550	770F5502S	770F5502I
600	770F6002S	770F6002I
650	770F6502S	770F6502I

#### Composed of:

- 2a 1 x Left/right drawer sides  
2b 2 x Customer branding  
2c 2 x Cover caps

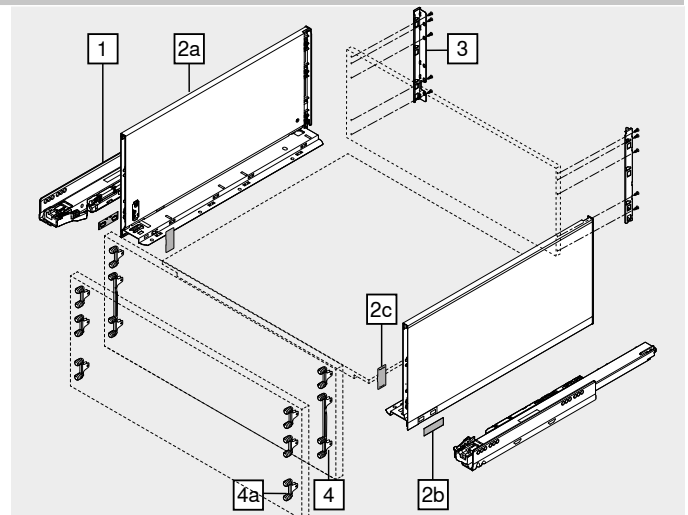
3	Back fixing left/right		
	<b>Colour</b>	<b>Material</b>	<b>Part no.</b>
	TS-M   OG-M   PS-M   SW-M   NI	Steel	ZB7F000S

4	Front fixing bracket		
	<b>Fixing method</b>		<b>Part no.</b>
	Screw-on	2 x	ZF7M7002
	EXPANDO	2 x	ZF7M70E2
	EXPANDO T	2 x	ZF7M70T2

EXPANDO T suitable for thin fronts – see page instructions

4	Front fixing bracket		
	<b>Fixing method</b>		<b>Part no.</b>
	Screw-on	2 x	ZF7C7002
	EXPANDO	2 x	ZF7C70E2
	EXPANDO T	2 x	ZF7C70T2

EXPANDO T suitable for thin fronts – see page instructions



#### Alternative to 4

4a	Front fixing bracket		<b>Part no.</b>
	<b>Fixing method</b>		
	Screw-on	6 x	ZF7M7002
	EXPANDO	6 x	ZF7M70E2
	EXPANDO T	6 x	ZF7M70T2

EXPANDO T suitable for thin fronts – see page instructions

#### a Accessories

Chipboard screws			
	<b>Ø (mm)</b>	<b>Length (mm)</b>	<b>Part no.</b>
	3.5	15	609.1500
	3.5	17	609.1700

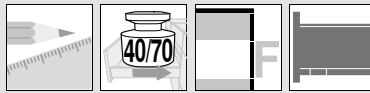
For front fixing

Fixing screw			
	<b>Ø (mm)</b>	<b>Length (mm)</b>	<b>Part no.</b>
	4	15	61D.1500

For the connection of chipboard back fixings with chipboard back and drawer side with drawer bases

In order to achieve optimal assembly, we recommend that you use flat headed screws

Colour		Colour	
TS-M	Terra black matt	SW-M	Silk white matt
OG-M	Orion grey matt	INGL	Stainless steel (Inox) Anti-fingerprint
PS-M	Polar silver matt	NI	Nickel plated

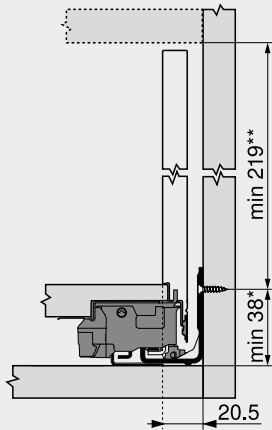


High fronted pull-out – F

Webcode  
DQBRHA

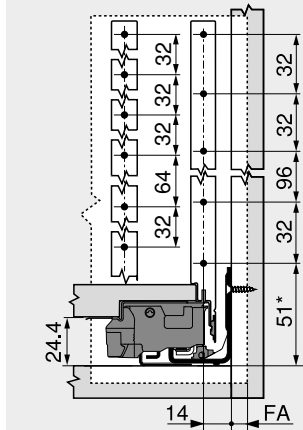
Planning

Space requirement in cabinet



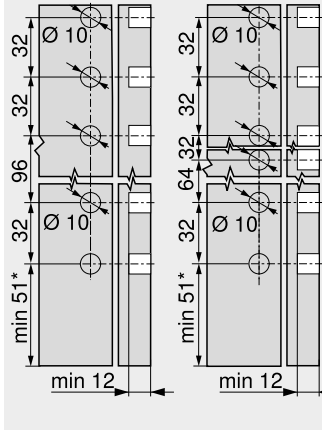
\* +1 mm if cabinet profile is installed before the cabinet is assembled  
\*\* Incl. 2 mm tilt adjustment

Installation dimensions – front – screw-on



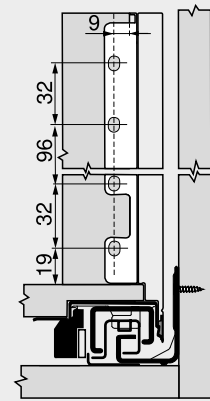
FA Front overlay  
\* +1 mm if cabinet profile is installed before the cabinet is assembled

Drilling distances – front – EXPANDO front



4 4a  
\* +1 mm if cabinet profile is installed before the cabinet is assembled

Installation dimensions – back



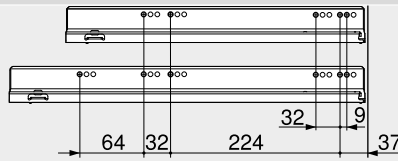
Screw position – cabinet profiles

Cabinet profile 750 – 40 kg

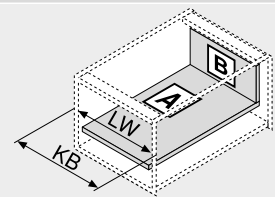
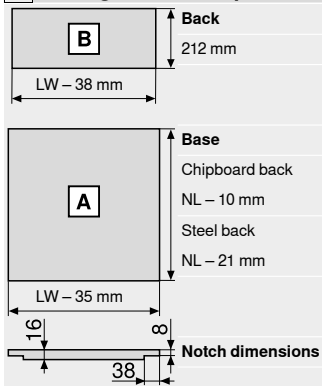
Nominal length NL (mm)

400–500

550, 600



Cutting – 16 mm chipboard



KB Cabinet width  
LW Internal cabinet width  
NL Nominal length

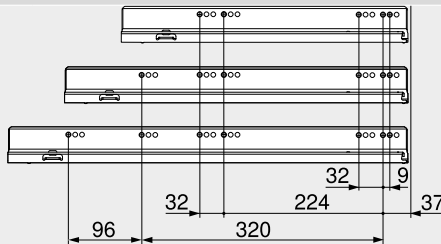
Cabinet profile 753 – 70 kg

Nominal length NL (mm)

450

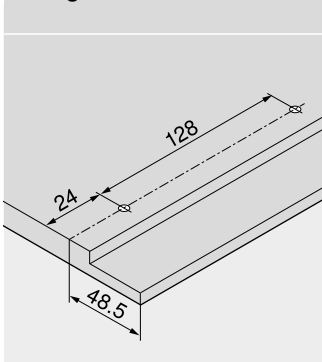
500–600

650



Internal cabinet depth LT min. = nominal length NL + 3 mm

Drilling distances – drawer base



Page instructions

Overview – LEGRABOX	219	TIP-ON for LEGRABOX	266	Assembly, removal and adjustment	
Fixing system for thin fronts – EXPANDO T	588	Overview – AMBIA-LINE for LEGRABOX CABLOXX	539 586		
Assembly recommendation and limitation of liability – EXPANDO T	589	Accessories – steel back Accessories	257 257	Short-URL <a href="http://www.blum.com/a310">www.blum.com/a310</a>	
Overview – SERVO-DRIVE for LEGRABOX   TANDEMBOX	379	Cabinet profile fixing positions	261		
TIP-ON BLUMOTION for LEGRABOX	262	Overview – assembly devices More technical details	595 686		