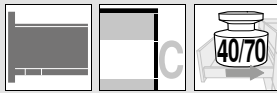


Box systems

blum

- ▶ **LEGRABOX**
- ▶▶ **Standard cabinet – LEGRABOX pure**



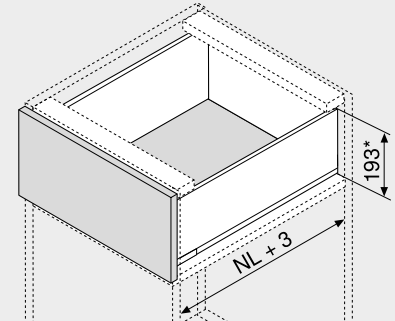
High fronted pull-out – C

Webcode
DQBQ2M



- Slim drawer side 12.8 mm
- Straight interior and exterior
- Synchronised feather-light glide
- Steel drawer side and stainless steel
- Tool-free front assembly
- Three-dimensional front adjustment in the drawer side
- Includes integrated, switchable **BLUMOTION S** for silent and effortless closing, and can be combined with **TIP-ON BLUMOTION** or **SERVO-DRIVE**

Space requirement



NL Nominal length
* Incl. 2 mm tilt adjustment

Box systems

Order information

1	Cabinet profiles left/right	
	BLUMOTION S	
Nominal length	Dynamic carrying capacity (kg)	
NL (mm)	40	70
270	750.2701S	
300	750.3001S	
350	750.3501S	
400	750.4001S	
450	750.4501S	753.4501S
500	750.5001S	753.5001S
550	750.5501S	753.5501S
600	750.6001S	753.6001S
650		753.6501S

2	Drawer side set	
	Colour	
Nominal length	TS-M OG-M PS-M SW-M	INGL
NL (mm)		
270	770C2702S	770C2702I
300	770C3002S	770C3002I
350	770C3502S	770C3502I
400	770C4002S	770C4002I
450	770C4502S	770C4502I
500	770C5002S	770C5002I
550	770C5502S	770C5502I
600	770C6002S	770C6002I
650	770C6502S	770C6502I

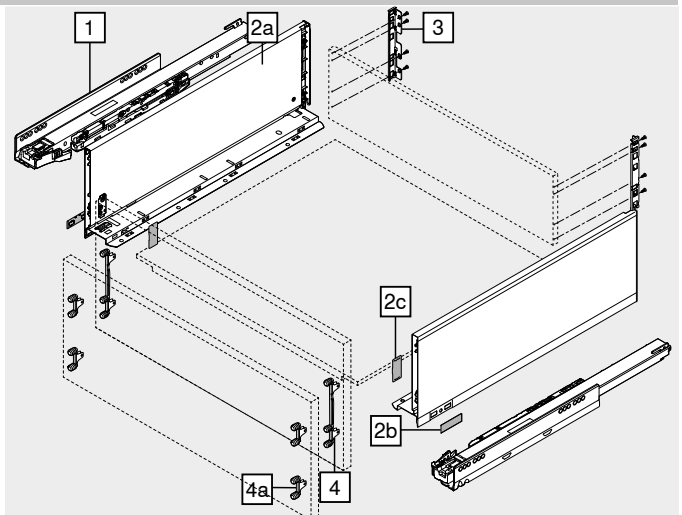
Composed of:

- 2a 1 x Left/right drawer sides
2b 2 x Customer branding
2c 2 x Cover caps

3	Back fixing left/right		
	Colour	Material	Part no.
	TS-M OG-M PS-M SW-M NI	Steel	ZB7C000S

4	Front fixing bracket		
	Fixing method		Part no.
	Screw-on	2 x	ZF7C7002
	EXPANDO	2 x	ZF7C70E2
	EXPANDO T	2 x	ZF7C70T2

EXPANDO T suitable for thin fronts – see page instructions



Alternative to 4

4a	Front fixing bracket		Part no.
	Fixing method		
	Screw-on	4 x	ZF7M7002
	EXPANDO	4 x	ZF7M70E2
	EXPANDO T	4 x	ZF7M70T2

EXPANDO T suitable for thin fronts – see page instructions

a Accessories

–	Chipboard screws		Part no.
	Ø (mm)	Length (mm)	
	3.5	15	609.1500
	3.5	17	609.1700

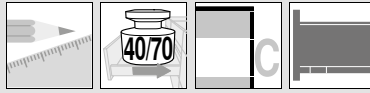
For front fixing

–	Fixing screw		Part no.
	Ø (mm)	Length (mm)	
	4	15	61D.1500

For the connection of chipboard back fixings with chipboard back and drawer side with drawer bases

In order to achieve optimal assembly, we recommend that you use flat headed screws

Colour		Colour	
TS-M	Terra black matt	SW-M	Silk white matt
OG-M	Orion grey matt	INGL	Stainless steel (Inox) Anti-fingerprint
PS-M	Polar silver matt	NI	Nickel plated

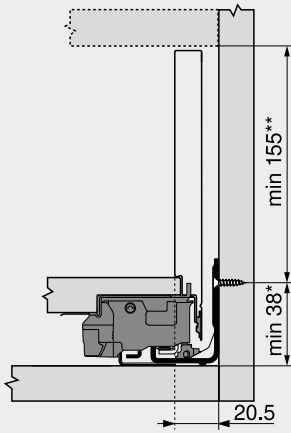


High fronted pull-out – C

Webcode
DQBQ2M

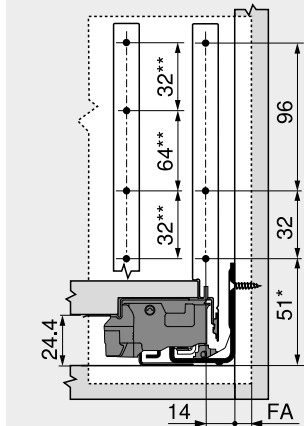
Planning

Space requirement in cabinet



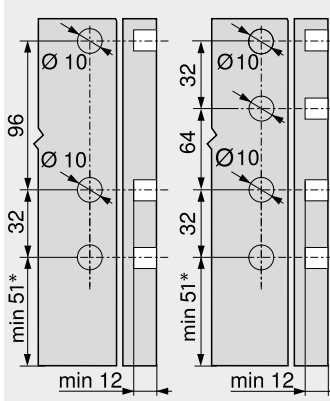
* +1 mm if cabinet profile is installed before the cabinet is assembled
** Incl. 2 mm tilt adjustment

Installation dimensions – front – screw-on



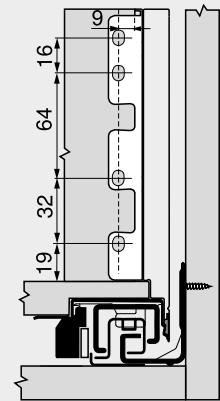
FA Front overlay
* +1 mm if cabinet profile is installed before the cabinet is assembled
** Alternative 4a

Drilling distances – front – EXPANDO front



4 4a
* +1 mm if cabinet profile is installed before the cabinet is assembled

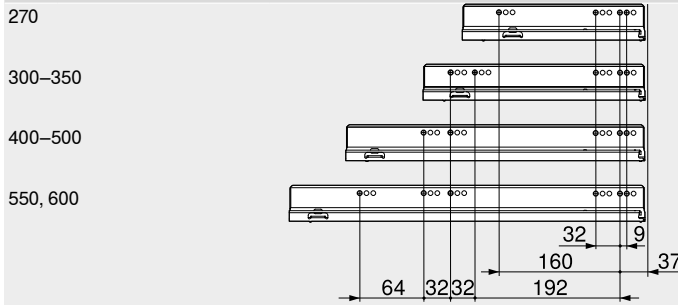
Installation dimensions – back



Screw position – cabinet profiles

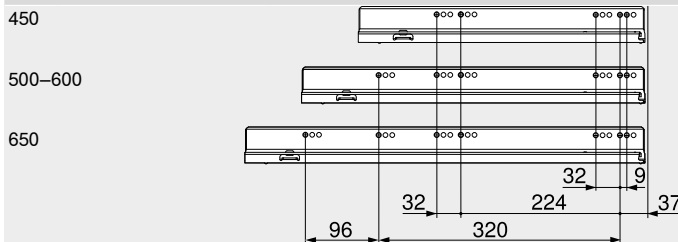
Cabinet profile 750 – 40 kg

Nominal length NL (mm)



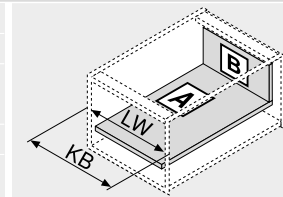
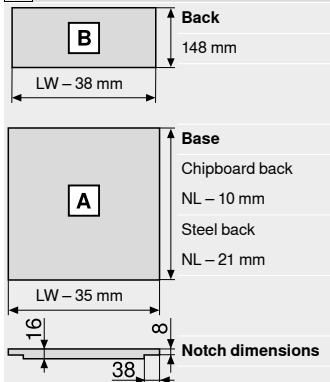
Cabinet profile 753 – 70 kg

Nominal length NL (mm)



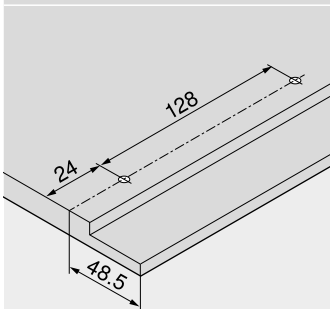
Internal cabinet depth LT min. = nominal length NL + 3 mm

Cutting – 16 mm chipboard



KB Cabinet width
LW Internal cabinet width
NL Nominal length

Drilling distances – drawer base



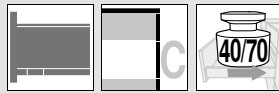
Page instructions

Overview – LEGRABOX	219	TIP-ON for LEGRABOX	266	Assembly, removal and adjustment	
Fixing system for thin fronts – EXPANDO T	588	Overview – AMBIA-LINE for LEGRABOX CABLOXX	539		
Assembly recommendation and limitation of liability – EXPANDO T	589	Accessories – steel back	586	Short-URL	
Overview – SERVO-DRIVE for LEGRABOX TANDEMBOX	379	Accessories	257		
TIP-ON BLUMOTION for LEGRABOX	262	Cabinet profile fixing positions	257	www.blum.com/a310	
		Overview – assembly devices	261		
		More technical details	595		
			686		

Box systems



- ▶ **LEGRABOX**
- ▶▶ **Standard cabinet – LEGRABOX pure**



Inner pull-out – design element – C

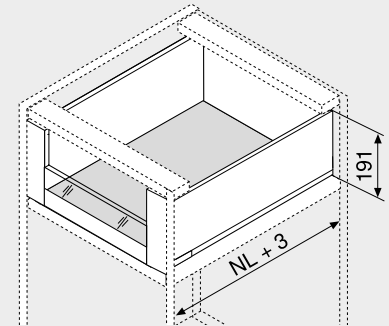
Webcode

DQBSVY



- Inner pull-out with a high or low design element
- Slim drawer side 12.8 mm
- Straight interior and exterior
- Synchronised feather-light glide
- Steel drawer side and stainless steel
- Tool-free front assembly
- Three-dimensional front adjustment in the drawer side
- Includes integrated, switchable **BLUMOTION S** for silent and effortless closing, and can be combined with **TIP-ON BLUMOTION** or **SERVO-DRIVE**

Space requirement



NL Nominal length

Order information

1	Cabinet profiles left/right	
	BLUMOTION S	
Nominal length	Dynamic carrying capacity (kg)	
NL (mm)	40	70
270	750.2701S	
300	750.3001S	
350	750.3501S	
400	750.4001S	
450	750.4501S	753.4501S
500	750.5001S	753.5001S
550	750.5501S	753.5501S
600	750.6001S	753.6001S
650		753.6501S

2	Drawer side set	
	Colour	
Nominal length	TS-M OG-M PS-M SW-M	INGL
NL (mm)		
270	770C2702S	770C2702I
300	770C3002S	770C3002I
350	770C3502S	770C3502I
400	770C4002S	770C4002I
450	770C4502S	770C4502I
500	770C5002S	770C5002I
550	770C5502S	770C5502I
600	770C6002S	770C6002I
650	770C6502S	770C6502I

Composed of:

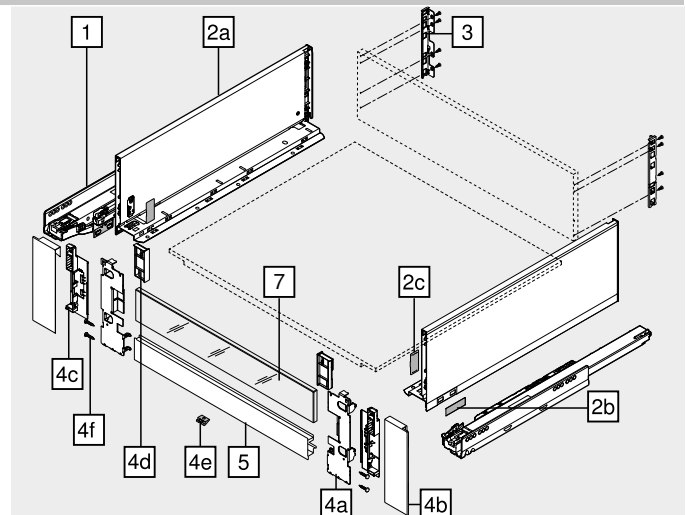
- 2a 1 x Left/right drawer sides
- 2b 2 x Customer branding
- 2c 2 x Cover caps

3	Back fixing left/right		
	Colour	Material	Part no.
	TS-M OG-M PS-M SW-M NI	Steel	7B7C000S

4	Front piece set		
	Colour	Material	Part no.
	TS-M OG-M PS-M SW-M	Steel	Z17.2CS0
	INGL	Stainless steel	Z17.2CI0

Composed of:

- 4a 1 x Front fixing left/right
- 4b 1 x Outer cover cap left/right
- 4c 1 x Interior cover cap left/right
- 4d 1 x Adapter piece for low design element left/right
- 4e 1 x Locking piece
- 4f 4 x Screws



5	Front piece with groove		
	Colour	Length (mm)	Part no.
	TS-M OG-M PS-M SW-M NI-M	1043	ZV7.1043MN1

Suitable for cabinet width KB 1200 mm
Cutting Internal cabinet width LW – 126 mm

7	Glass design element (for inner pull-out front)		
	Design	Material	Part no.
	Low	Glass	ZE7VxxxxG
	High	Glass	ZE7WxxxxG

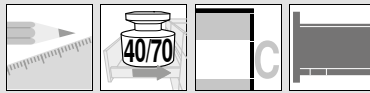
For order specification, see design element

a	Accessories		
	Fixing screw	Length (mm)	Part no.
	Ø (mm)	15	61D.1500

For the connection of chipboard back fixings with chipboard back and drawer side with drawer bases

In order to achieve optimal assembly, we recommend that you use flat headed screws

Colour		Colour	
TS-M	Terra black matt	INGL	Stainless steel (Inox) Anti-fingerprint
OG-M	Orion grey matt	NI	Nickel plated
PS-M	Polar silver matt	NI-M	Matt nickel
SW-M	Silk white matt		



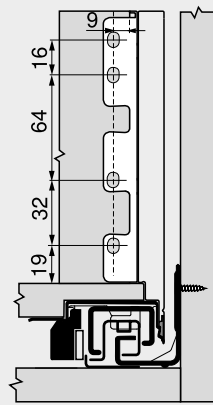
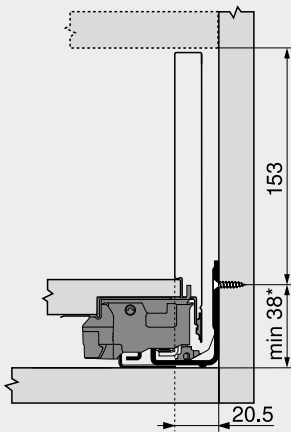
Inner pull-out – design element – C

Webcode
 DQBSVY

Planning

Space requirement in cabinet

Installation dimensions – back

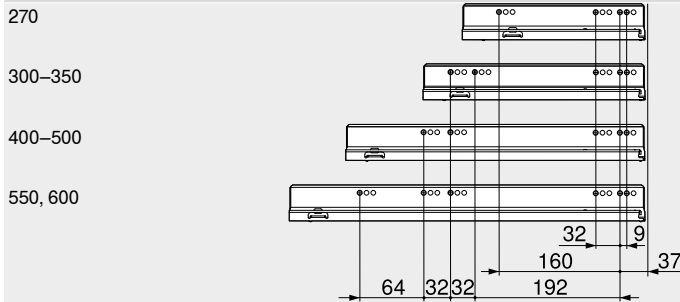


* +1 mm if cabinet profile is installed before the cabinet is assembled

Screw position – cabinet profiles

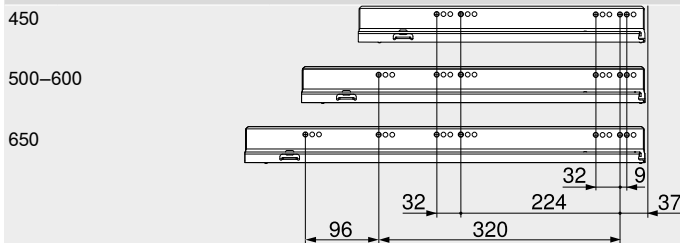
Cabinet profile 750 – 40 kg

Nominal length NL (mm)



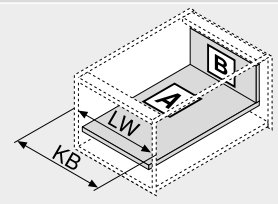
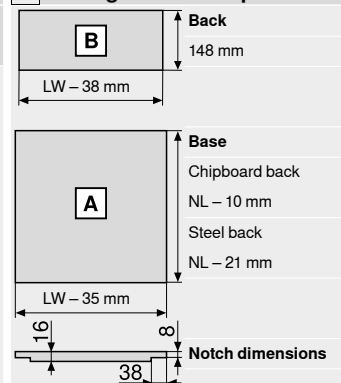
Cabinet profile 753 – 70 kg

Nominal length NL (mm)



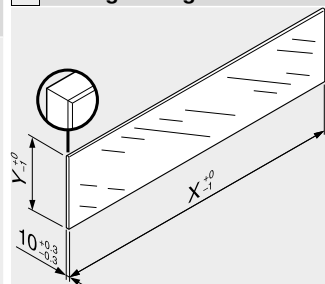
Internal cabinet depth LT min. = nominal length NL + 3 mm

Cutting – 16 mm chipboard



KB Cabinet width
 LW Internal cabinet width
 NL Nominal length

Cutting – design element



Design element	X (mm)	Y (mm)
Low	LW – 80	70
High	LW – 80	138
LW	Internal cabinet width	

The given dimensions in combination with LEGRABOX | TANDEMBOX do not require "impact testing for vertically installed glass parts" as per the DIN EN 14749 norm June 2016. For norm compliance no safety glass is required. The edge is a polished flat-ended edge with a 1 mm ±0.5 mm bevel.

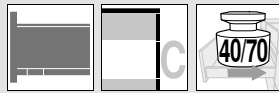
Page instructions

Overview – LEGRABOX	219	Accessories – steel back	257	Assembly, removal and adjustment	
Overview – SERVO-DRIVE for LEGRABOX TANDEMBOX	379	Accessories	257		
TIP-ON BLUMOTION for LEGRABOX	262	Cabinet profile fixing positions	261	Short-URL	
TIP-ON for LEGRABOX	266	Overview – assembly devices	595		
Overview – AMBIA-LINE for LEGRABOX	539	More technical details	686	www.blum.com/a310	
CABLOXX	586				
Design element	256				

Box systems



- ▶ **LEGRABOX**
- ▶▶ **Standard cabinet – LEGRABOX pure**



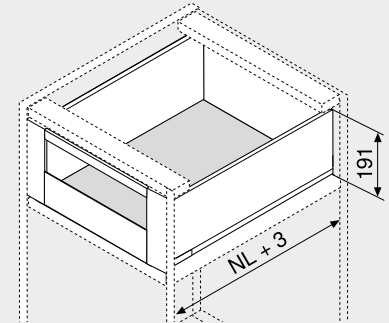
Inner pull-out – gallery – C

Webcode
DQBTLA



- Inner pull-out with gallery
- Slim drawer side 12.8 mm
- Straight interior and exterior
- Synchronised feather-light glide
- Steel drawer side and stainless steel
- Tool-free front assembly
- Three-dimensional front adjustment in the drawer side
- Includes integrated, switchable **BLUMOTION S** for silent and effortless closing, and can be combined with **TIP-ON BLUMOTION** or **SERVO-DRIVE**

Space requirement



NL Nominal length

Order information

1	Cabinet profiles left/right	
	BLUMOTION S	
Nominal length	Dynamic carrying capacity (kg)	
NL (mm)	40	70
270	750.2701S	
300	750.3001S	
350	750.3501S	
400	750.4001S	
450	750.4501S	753.4501S
500	750.5001S	753.5001S
550	750.5501S	753.5501S
600	750.6001S	753.6001S
650		753.6501S

2	Drawer side set	
	Colour	
Nominal length	TS-M OG-M PS-M SW-M	INGL
NL (mm)		
270	770C2702S	770C2702I
300	770C3002S	770C3002I
350	770C3502S	770C3502I
400	770C4002S	770C4002I
450	770C4502S	770C4502I
500	770C5002S	770C5002I
550	770C5502S	770C5502I
600	770C6002S	770C6002I
650	770C6502S	770C6502I

Composed of:

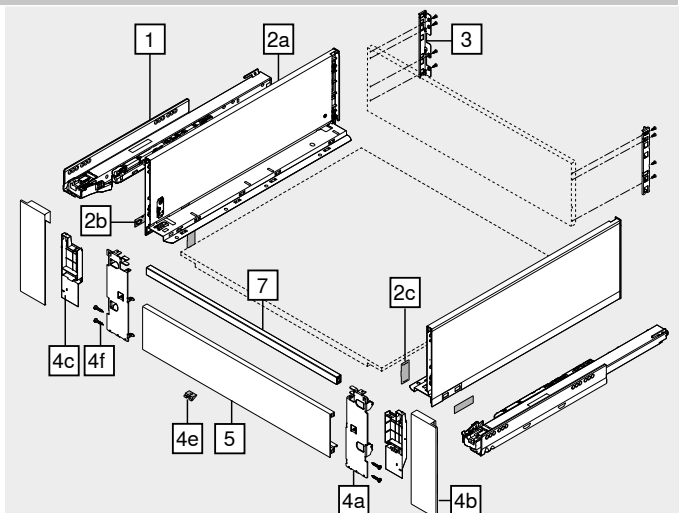
- 2a 1 x Left/right drawer sides
- 2b 2 x Customer branding
- 2c 2 x Cover caps

3	Back fixing left/right		
	Colour	Material	Part no.
	TS-M OG-M PS-M SW-M NI	Steel	ZB7C000S

4	Front piece set		
	Colour	Material	Part no.
	TS-M OG-M PS-M SW-M	Steel	ZI7.3CS0
	INGL	Stainless steel	ZI7.3CI0

Composed of:

- 4a 1 x Front fixing left/right
- 4b 1 x Outer cover cap left/right
- 4c 1 x Interior cover cap left/right
- 4e 1 x Locking piece
- 4f 4 x Screws



5	Front piece without groove		
	Colour	Length (mm)	Part no.
	TS-M OG-M PS-M SW-M NI-M	1043	ZV7.1043C01
Suitable for cabinet width KB 1200 mm			
Cutting Internal cabinet width LW – 126 mm			

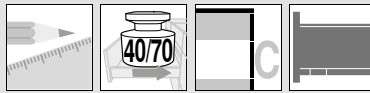
7	Cross gallery		
	Colour	Length (mm)	Part no.
	TS-M OG-M PS-M SW-M NI-M	1080	ZR7.1080U
Suitable for cabinet width KB 1200 mm			
Cutting Internal cabinet width LW – 90 mm			

a Accessories

-	Fixing screw		
	Ø (mm)	Length (mm)	Part no.
	4	15	61D.1500

For the connection of chipboard back fixings with chipboard back and drawer side with drawer bases
In order to achieve optimal assembly, we recommend that you use flat headed screws

Colour		Colour	
TS-M	Terra black matt	INGL	Stainless steel (Inox) Anti-fingerprint
OG-M	Orion grey matt	NI	Nickel plated
PS-M	Polar silver matt	NI-M	Matt nickel
SW-M	Silk white matt		



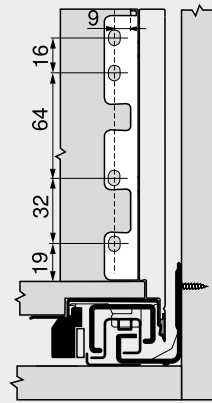
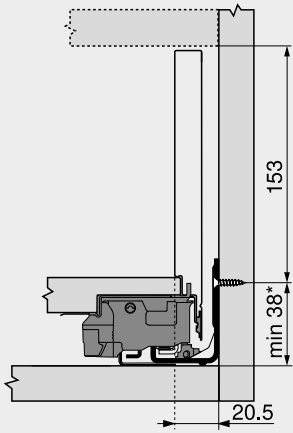
Inner pull-out – gallery – C

Webcode
 DQBTLA

Planning

Space requirement in cabinet

Installation dimensions – back

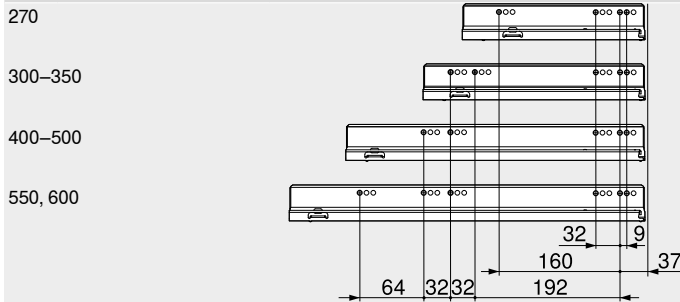


* +1 mm if cabinet profile is installed before the cabinet is assembled

Screw position – cabinet profiles

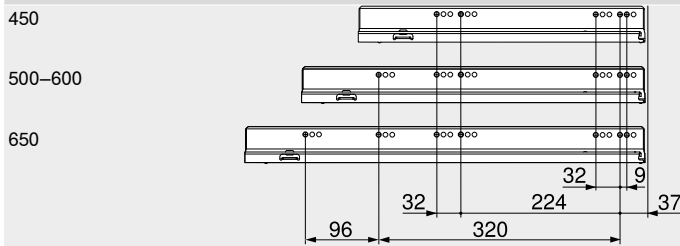
Cabinet profile 750 – 40 kg

Nominal length NL (mm)



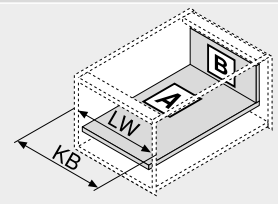
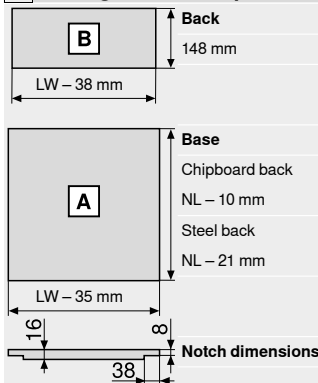
Cabinet profile 753 – 70 kg

Nominal length NL (mm)



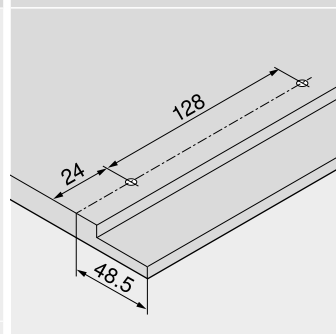
Internal cabinet depth LT min. = nominal length NL + 3 mm

Cutting – 16 mm chipboard



KB Cabinet width
 LW Internal cabinet width
 NL Nominal length

Drilling distances – drawer base



Page instructions

Overview – LEGRABOX	219	Accessories	257	Assembly, removal and adjustment	
Overview – SERVO-DRIVE for LEGRABOX TANDEMBOX	379	Cabinet profile fixing positions	261		
TIP-ON BLUMOTION for LEGRABOX	262	Overview – assembly devices	595	Short-URL	
TIP-ON for LEGRABOX	266	More technical details	686		
Overview – AMBIA-LINE for LEGRABOX	539			www.blum.com/a310	
CABLOXX	586				
Accessories – steel back	257				