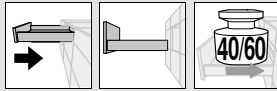


Runner systems



- ▶ TIP-ON for MOVENTO
- ▶▶ Locking device feature – full extension



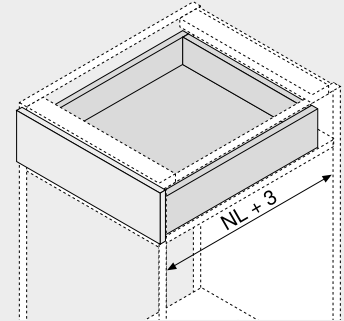
MOVENTO with TIP-ON – 760H | 766H

Webcode
DQCZTA



- Concealed full extension with integrated **TIP-ON**, the mechanical opening support system
- Synchronised feather-light glide
- Tool-free side, height, and tilt adjustment
- Integrated tool-free depth adjustment
- Built-in width and depth tolerance compensation
- Compatible with the side stabilisation for MOVENTO
- Optional TIP-ON synchronisation for secure triggering even with wide fronts

Space requirement



NL Nominal length

Order information

1	Runners left/right	
Nominal length	Dynamic carrying capacity (kg)	
NL (mm)	40	60
250	760H2500T	
270	760H2700T	
300	760H3000T	
320	760H3200T	
350	760H3500T	
380	760H3800T	
400	760H4000T	
420	760H4200T	
450	760H4500T	766H4500T
480	760H4800T	
500	760H5000T	766H5000T
520	760H5200T	766H5200T
550	760H5500T	766H5500T
580		766H5800T
600	760H6000T	766H6000T
650		766H6500T
700		766H7000T
750		766H7500T

The output path can vary depending on the load or the adjustment!

3	Locking device left/right		
	Material	Colour	Part no.
	Nylon/steel	Orange	T51.7601

Order left/right

a Accessories

6b	TIP-ON synchronisation pinion set		
	Version	Colour	Part no.
	Round	RAL 7037 dust grey	T57.7400.01

Composed of:

- 1 x Locking device
- 1 x Overload locking device
- 2 x Attachment

6c	TIP-ON synchronisation linkage		
	Version	Material	Part no.
	Round	Aluminium	ZST.1160W

For cutting to size

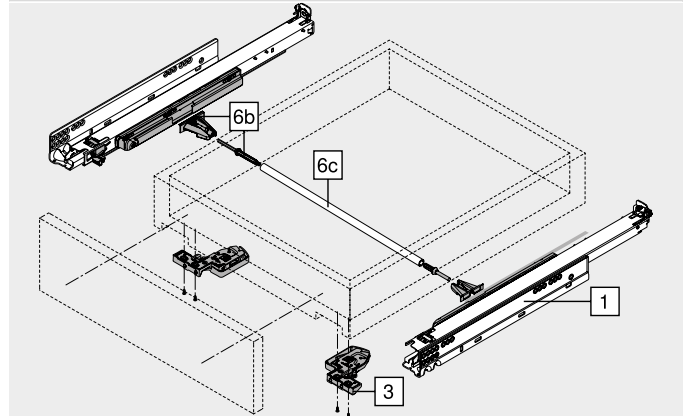
➤ **Cutting** Internal cabinet width LW – 249 mm

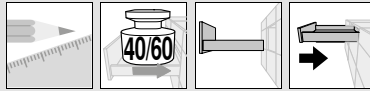
12	Side stabilisation set		
	Nominal length NL (mm)	Material	Part no.
	Up to 400	Nylon	ZS7M400MU
	Up to 600	Nylon	ZS7M600MU
	Up to 750	Nylon	ZS7M750MU

Suitable for cabinet width KB 1400 mm

For cutting to size

Drawer



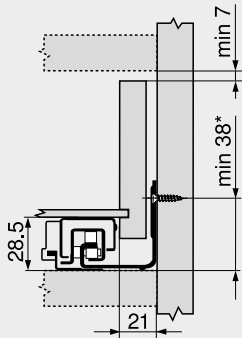


MOVENTO with TIP-ON – 760H | 766H

Webcode
 DQCZTA

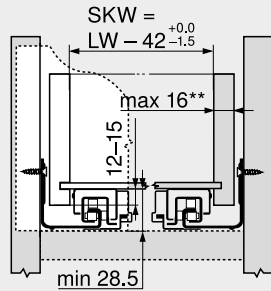
Planning

Space requirement in cabinet



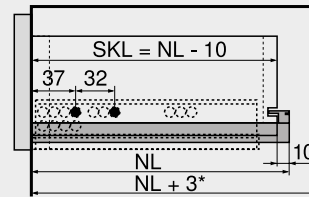
* +1 mm for assembly of the cabinet profile on the horizontal cabinet side

Drawer | inner drawer



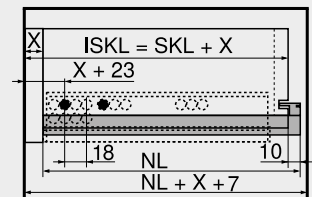
SKW Internal drawer width
 LW Internal cabinet width
 ** Limited side adjustment for a drawer side panel thickness of 16 mm, but with full tolerance utilisation of the internal width of the drawer SKW

Drawer



SKL Drawer length
 NL Nominal length
 * Additional +12 mm with side stabilisation

Inner drawer

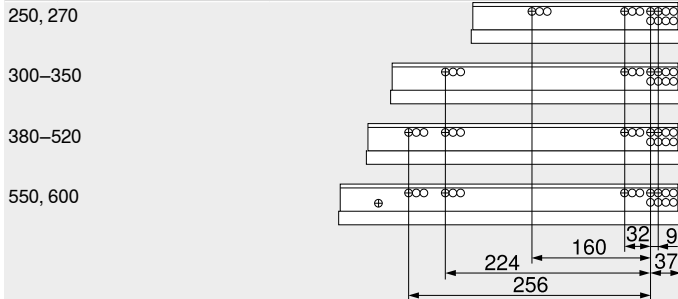


ISKL Inner drawer length
 SKL Drawer length
 NL Nominal length
 X Front thickness

Screw position – cabinet profiles

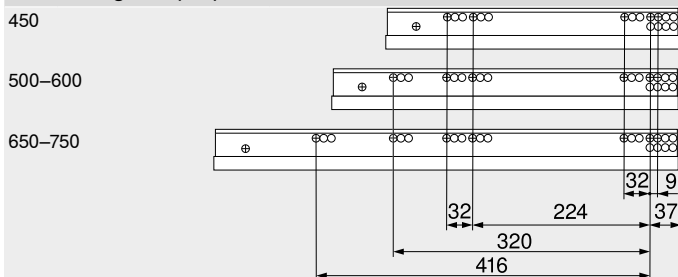
Cabinet profile 760H – 40 kg

Nominal length NL (mm)

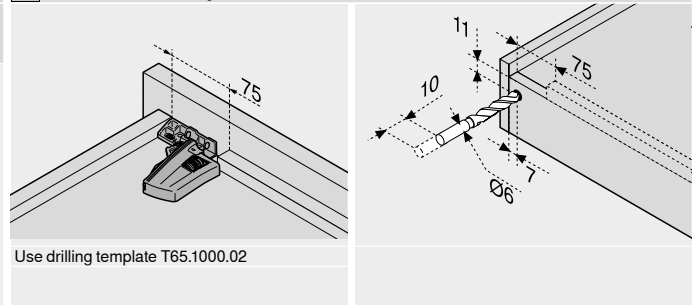


Cabinet profile 766H – 60 kg

Nominal length NL (mm)

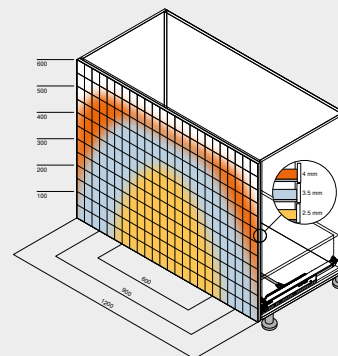


Drawer assembly



Use drilling template T65.1000.02

Trigger range



Example for 760H, nominal length NL 500 mm, four-sided drawer, with and without synchronisation

Page instructions

Overview – TIP-ON for MOVENTO	459	More technical details
Overview – MOVENTO	437	
Overview – TIP-ON BLUMOTION for MOVENTO	453	
CABLOXX	586	
Accessories	444	
Cabinet profile fixing positions	462	
Overview – assembly devices	595	

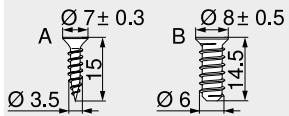
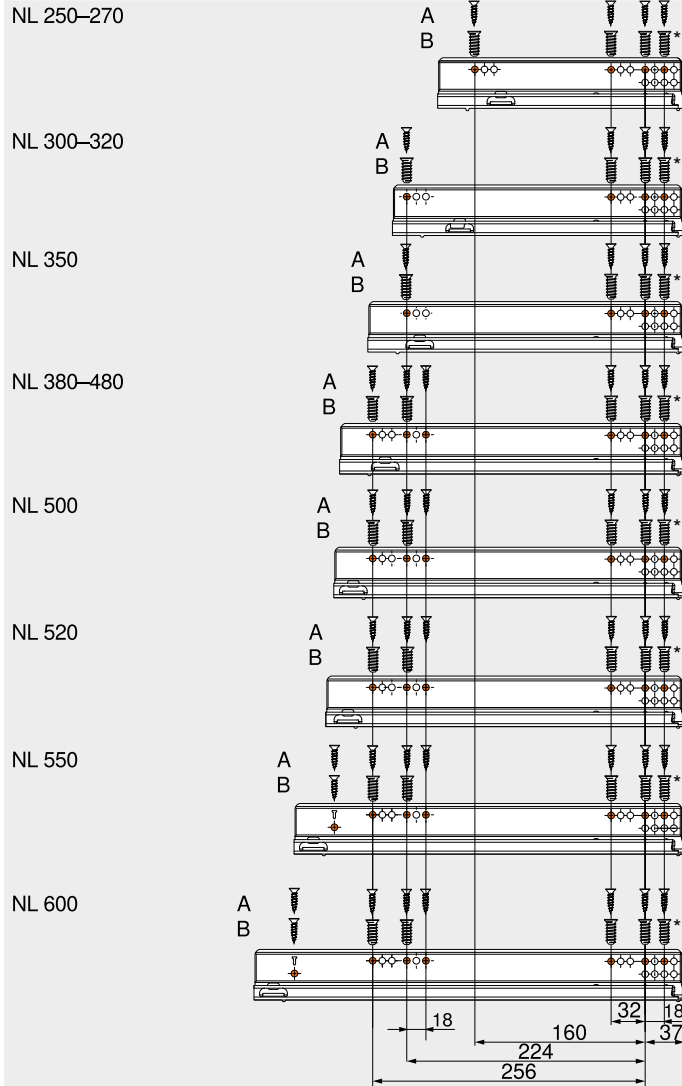
686 Assembly, removal and adjustment



Short-URL
www.blum.com/a430

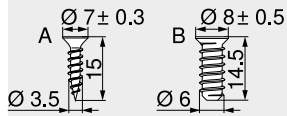
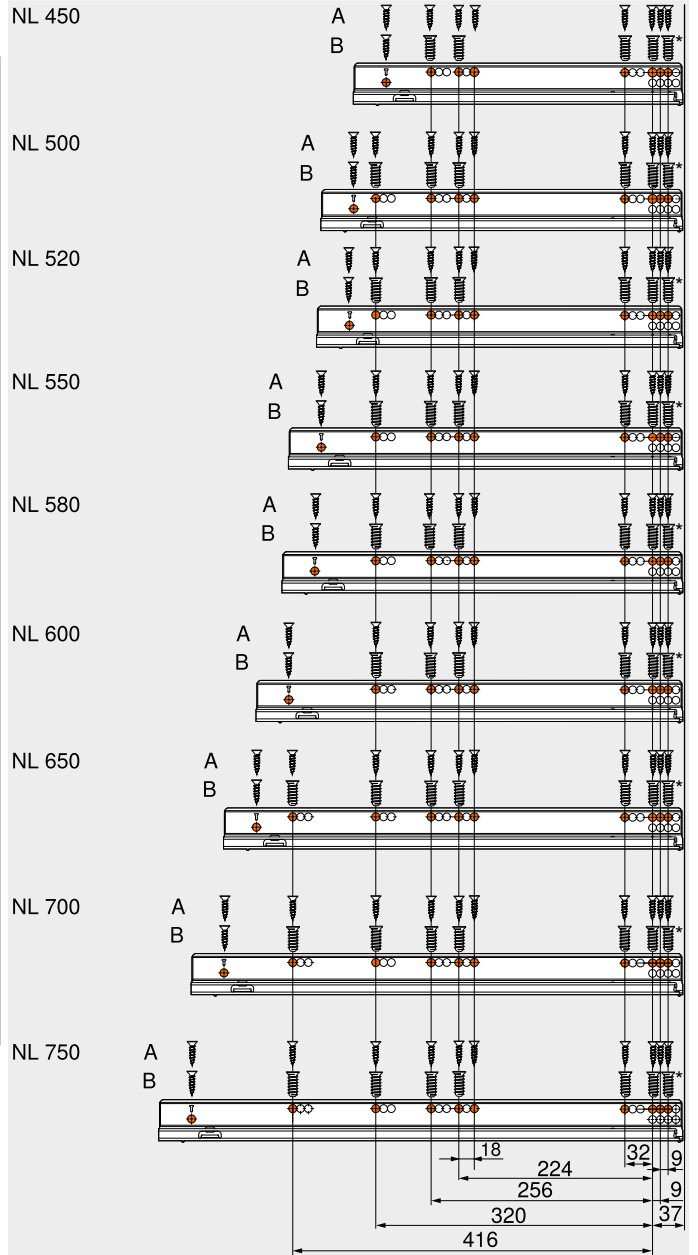


Cabinet profile 760H – 40 kg



NL Nominal length
 A Chipboard screws $\text{\O} 3.5 \times 15$ mm, part no. 609.1500
 B Chipboard screws, part no. 661.1450.HG
 * Can be replaced with chipboard screw $\text{\O} 4 \times 15$ mm
 Extreme back fixing position ensures optimal stability

Cabinet profile 766H – 60 kg



NL Nominal length
 A Chipboard screws $\text{\O} 3.5 \times 15$ mm, part no. 609.1500
 B Chipboard screws, part no. 661.1450.HG
 * Can be replaced with chipboard screw $\text{\O} 4 \times 15$ mm
 Extreme back fixing position ensures optimal stability