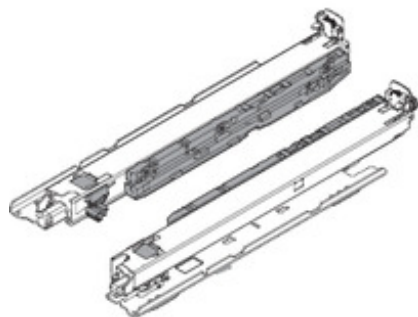


Product details

MOVENTO with BLUMOTION S, full extension for wooden drawer, 40 kg, NL=400 mm, for locking device, base mounting, left/right



Part number	760H4000SU
Item number	05023626
Colour / finish	Zinc plated
Packaging quantity	4
Weight per 1,000 Pcs in kg	1,797.4
EAN code	9009494232868
UPC code	

Technical attributes

Attribute	Value
type of runner system	MOVENTO
Furniture components	Wooden drawer
Motion technology	with BLUMOTION/for TIP-ON BLUMOTION
dynamic load bearing	40
Nominal Length	400
Material	Steel
Colour / finish	zinc plated
Pull-out type	Full extension
Runner system	Synchronised roller carriage system
Drawer profile width	29.7
Bearing height	28.5
cabinet profile width	40.9
Distance of latch	278.7
Distance of centre profile	370
Distance of BLUMOTION and BLUMATIC	298.5
mounting width (incl. spacing)	21
cabinet profile fixing	with screws
Assembly type	Base mounting
connection runner system with Box or drawer	for locking device
hook position (from end of runner)	9
minimum internal cabinet depth	403
Item package	Set
packaging	Multipack