

Box systems



- ▶ **LEGRABOX**
- ▶▶ **Standard cabinet – LEGRABOX pure**

Inner pull-out – gallery – C

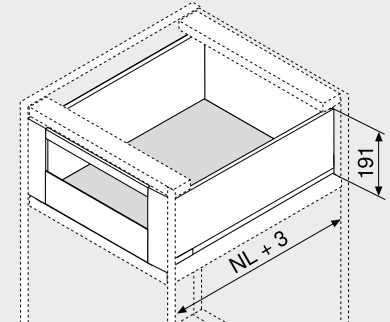
Webcode

DQBTLA



- Inner pull-out with gallery
- Steel drawer side and stainless steel
- Straight interior and exterior
- Slim drawer side 12.8 mm
- Synchronised feather-light glide
- Includes integrated, switchable **BLUMOTION S** for silent and effortless closing, and can be combined with **SERVO-DRIVE** or **TIP-ON BLUMOTION**
- Tool-free front assembly
- Three-dimensional front adjustment in the drawer side

Space requirement



NL Nominal length

Order information

1		Cabinet profiles left/right	
		BLUMOTION S	
Nominal length		Dynamic carrying capacity (kg)	
NL (mm)	40	70	
270		750.2701S	
300		750.3001S	
350		750.3501S	
400		750.4001S	
450		750.4501S	753.4501S
500		750.5001S	753.5001S
550		750.5501S	753.5501S
600		750.6001S	753.6001S
650			753.6501S

2		Drawer side set	
		Drawer side height (mm) 177	
Nominal length		Colour	
NL (mm)		TS-M OG-M PS-M SW-M	INGL
270		770C2702S	770C2702I
300		770C3002S	770C3002I
350		770C3502S	770C3502I
400		770C4002S	770C4002I
450		770C4502S	770C4502I
500		770C5002S	770C5002I
550		770C5502S	770C5502I
600		770C6002S	770C6002I
650		770C6502S	770C6502I

Composed of:

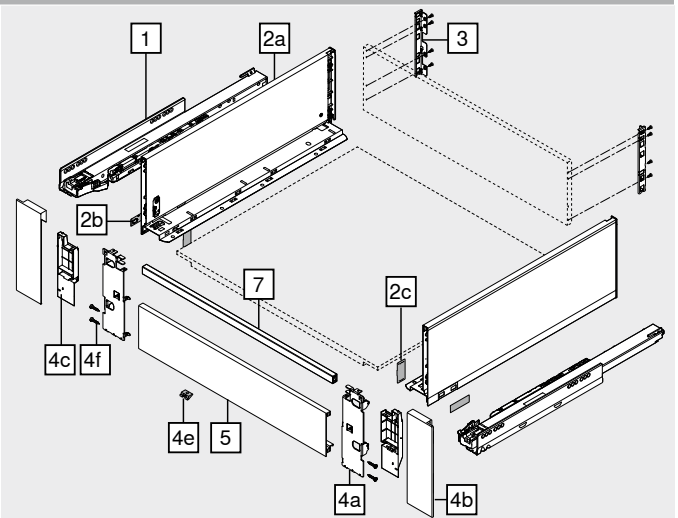
- 2a 1 x Left/right drawer sides
- 2b 2 x Branding element, stamped with Blum logo, starting at 1000 pcs. individually printed
- 2c 2 x Cover caps

3		Back fixing left/right	
		Colour	Material
		TS-M OG-M PS-M SW-M NI	Steel
			Part no. ZB7C000S

4		Front piece set	
		Colour	Material
		TS-M OG-M PS-M SW-M	Steel
		INGL	Stainless steel
			Part no. ZI7.3CS0
			ZI7.3CI0

Composed of:

- 4a 1 x Front fixing left/right
- 4b 1 x Outer cover cap left/right
- 4c 1 x Interior cover cap left/right
- 4e 1 x Locking piece
- 4f 4 x Screws



5		Front piece without groove	
		Colour	Length (mm)
		TS-M OG-M PS-M SW-M NI-M	1043
			Part no. ZV7.1043C01
Suitable for cabinet width KB 1200 mm			
Cutting Internal cabinet width LW – 126 mm			

7		Cross gallery	
		Colour	Length (mm)
		TS-M OG-M PS-M SW-M NI-M	1080
			Part no. ZR7.1080U
Suitable for cabinet width KB 1200 mm			
Cutting Internal cabinet width LW – 90 mm			

Accessories

–		Fixing screw	
		Ø (mm)	Length (mm)
		4	15
			Part no. 61D.1500

For the connection of chipboard back fixings with chipboard back and drawer side with drawer bases
In order to achieve optimal assembly, we recommend that you use flat headed screws

Colour		Colour	
TS-M	Terra black matt	INGL	Stainless steel (Inox) Anti-fingerprint
OG-M	Orion grey matt	NI	Nickel plated
PS-M	Polar silver matt	NI-M	Matt nickel
SW-M	Silk white matt		

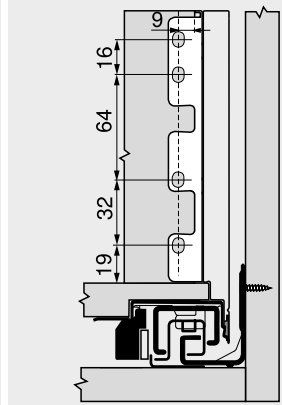
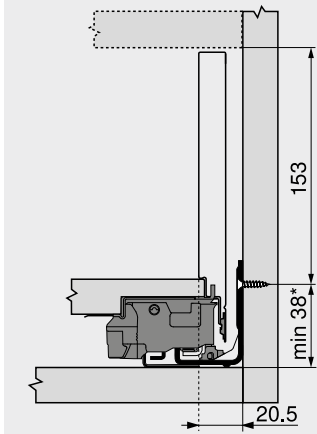
Inner pull-out – gallery – C

Webcode
DQBTLA

Planning

Space requirement in cabinet

Installation dimensions – back

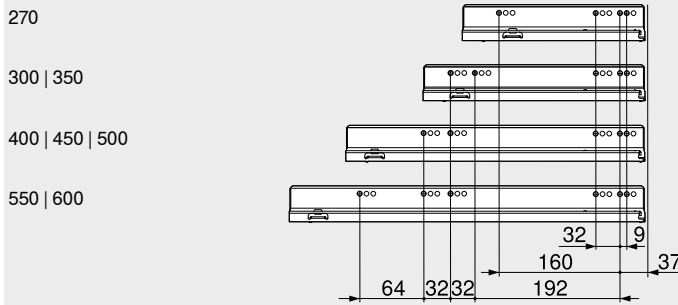


* +1 mm if cabinet profile is installed before the cabinet is assembled

Hole spacing – cabinet profiles

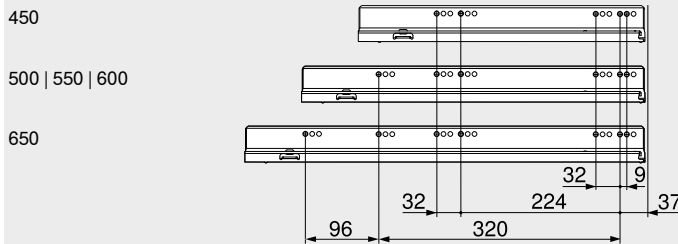
Cabinet profile 750 – 40 kg

Nominal length NL (mm)



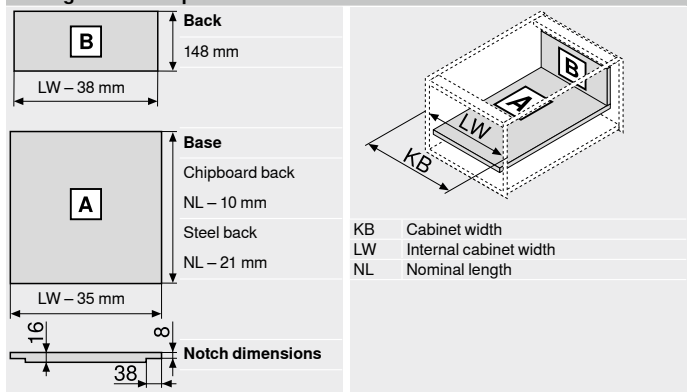
Cabinet profile 753 – 70 kg

Nominal length NL (mm)

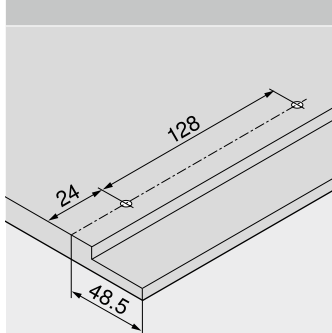


Internal cabinet depth LT min. = nominal length NL + 3 mm

Cutting – 16 mm chipboard



Drilling distances – drawer base



Page instructions

Overview – LEGRABOX	205	Accessories – steel back	243	Assembly, removal and adjustment
Overview – SERVO-DRIVE for LEGRABOX TANDEMBOX	321	Accessories	243	
Overview – TIP-ON BLUMOTION for LEGRABOX	249	Cabinet profile fixing positions	247	
Overview – TIP-ON for LEGRABOX	255	Overview – assembly devices	561	
Overview – AMBIA-LINE for LEGRABOX CABLOXX	503	More technical details	662	
	552			
				Short-URL
				www.blum.com/a310

