

## Box systems



- ▶ **LEGRABOX**
- ▶▶ **Standard cabinet – LEGRABOX pure**

### High fronted pull-out – C

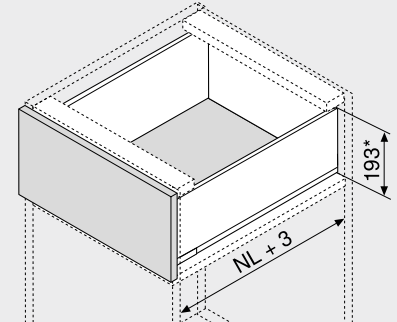
Webcode

DQBQ2M



- Steel drawer side and stainless steel
- Straight interior and exterior
- Slim drawer side 12.8 mm
- Synchronised feather-light glide
- Includes integrated, switchable **BLUMOTION S** for silent and effortless closing, and can be combined with **SERVO-DRIVE** or **TIP-ON BLUMOTION**
- Tool-free front assembly
- Three-dimensional front adjustment in the drawer side

#### Space requirement



NL Nominal length  
\* Incl. 2 mm tilt adjustment

#### Order information

1	Cabinet profiles left/right	
	<b>BLUMOTION S</b>	
Nominal length	Dynamic carrying capacity (kg)	
NL (mm)	40	70
270	750.2701S	
300	750.3001S	
350	750.3501S	
400	750.4001S	
450	750.4501S	753.4501S
500	750.5001S	753.5001S
550	750.5501S	753.5501S
600	750.6001S	753.6001S
650		753.6501S

2	Drawer side set	
	Drawer side height (mm) 177	
Nominal length	Colour	
NL (mm)	TS-M   OG-M   PS-M   SW-M	INGL
270	770C2702S	770C2702I
300	770C3002S	770C3002I
350	770C3502S	770C3502I
400	770C4002S	770C4002I
450	770C4502S	770C4502I
500	770C5002S	770C5002I
550	770C5502S	770C5502I
600	770C6002S	770C6002I
650	770C6502S	770C6502I

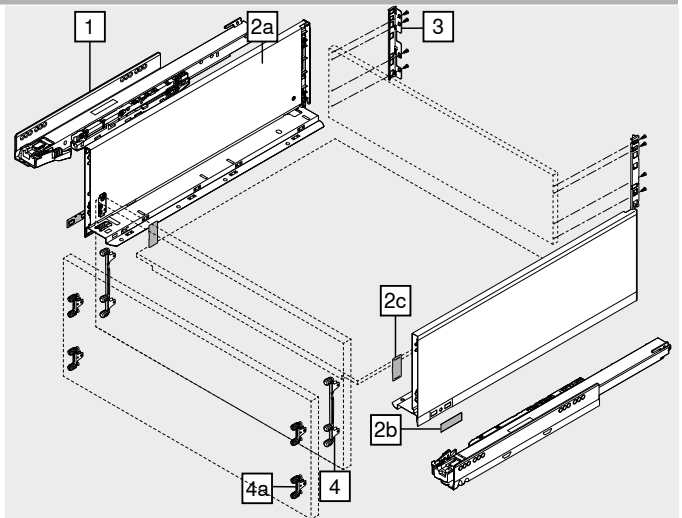
#### Composed of:

- 2a 1 x Left/right drawer sides
- 2b 2 x Branding element, stamped with Blum logo, starting at 1000 pcs. individually printed
- 2c 2 x Cover caps

3	Back fixing left/right		
	Colour	Material	Part no.
	TS-M   OG-M   PS-M   SW-M   NI	Steel	ZB7C000S

4	Front fixing bracket	
	Fixing method	Part no.
	Screw-on	2 x ZF7C7002
	EXPANDO	2 x ZF7C70E2
	EXPANDO T	2 x ZF7C70T2

EXPANDO T suitable for thin fronts – see page instructions



#### Alternative to 4

4a	Front fixing bracket		Part no.
	Fixing method		
	Screw-on	4 x	ZF7M7002
	EXPANDO	4 x	ZF7M70E2
	EXPANDO T	4 x	ZF7M70T2

EXPANDO T suitable for thin fronts – see page instructions

#### Accessories

Chipboard screws			
–	Ø (mm)	Length (mm)	Part no.
	3.5	15	609.1500
	3.5	17	609.1700

For front fixing

Fixing screw			
–	Ø (mm)	Length (mm)	Part no.
	4	15	61D.1500

For the connection of chipboard back fixings with chipboard back and drawer side with drawer bases

In order to achieve optimal assembly, we recommend that you use flat headed screws

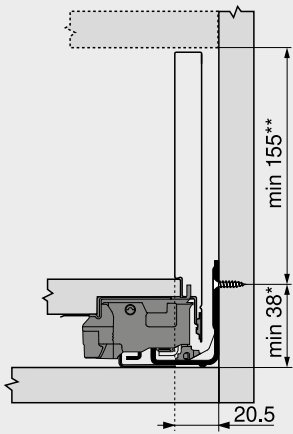
Colour		Colour	
TS-M	Terra black matt	SW-M	Silk white matt
OG-M	Orion grey matt	INGL	Stainless steel (Inox) Anti-fingerprint
PS-M	Polar silver matt	NI	Nickel plated

High fronted pull-out – C

Webcode  
DQBQ2M

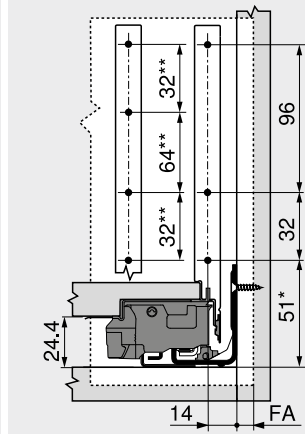
Planning

Space requirement in cabinet



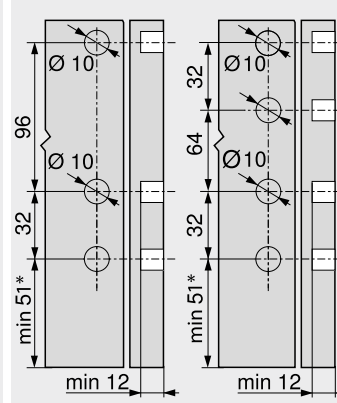
\* +1 mm if cabinet profile is installed before the cabinet is assembled  
\*\* Incl. 2 mm tilt adjustment

Installation dimensions – front – screw-on



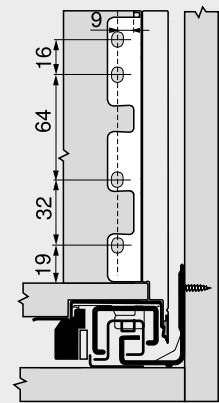
FA Front overlay  
\* +1 mm if cabinet profile is installed before the cabinet is assembled  
\*\* Alternative 4a

Drilling distances – front – EXPANDO front



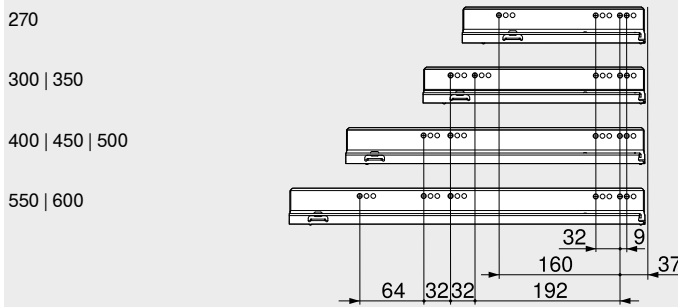
4 4a  
\* +1 mm if cabinet profile is installed before the cabinet is assembled

Installation dimensions – back

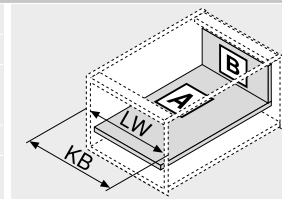
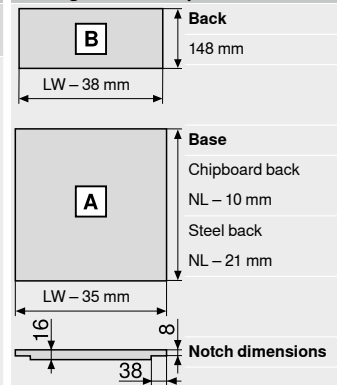


Hole spacing – cabinet profiles

Cabinet profile 750 – 40 kg  
Nominal length NL (mm)

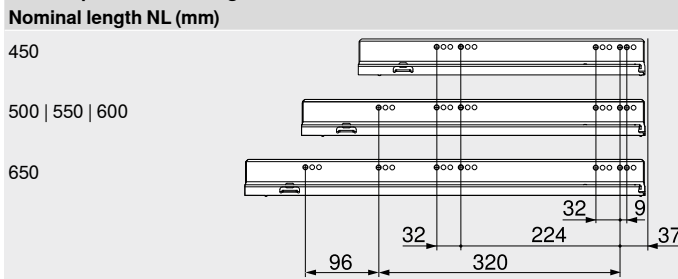


Cutting – 16 mm chipboard

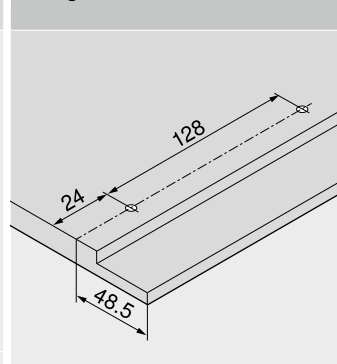


KB Cabinet width  
LW Internal cabinet width  
NL Nominal length

Cabinet profile 753 – 70 kg  
Nominal length NL (mm)



Drilling distances – drawer base



Internal cabinet depth LT min. = nominal length NL + 3 mm

Page instructions

Overview – LEGRABOX	205	Overview – TIP-ON BLUMOTION for LEGRABOX	249	Overview – assembly devices	561
Fixing system for thin fronts – EXPANDO T	554	Overview – TIP-ON for LEGRABOX	255	More technical details	662
Assembly recommendation and limitation of liability – EXPANDO T	555	Overview – AMBIA-LINE for LEGRABOX	503	<b>Assembly, removal and adjustment</b> 	
Overview – SERVO-DRIVE for LEGRABOX   TANDEMBOX	321	CABLOXX	552		
		Accessories – steel back	243		
		Accessories	243	Short-URL	
		Cabinet profile fixing positions	247	<a href="http://www.blum.com/a310">www.blum.com/a310</a>	