

# Runner systems



- ▶ TANDEM
- ▶▶ TANDEM 19 mm – locking device feature – full extension

## TANDEM plus BLUMOTION 560F | 566F

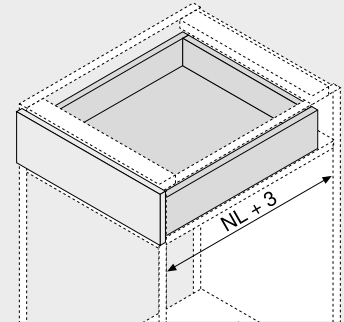
Webcode

DQHL6M



- Runner for wooden drawers with a panel thickness of **17–19 mm**
- Concealed **TANDEM** full extension with integrated **BLUMOTION** for silent and effortless closing action
- Suitable for use with **SERVO-DRIVE** – the electrical opening support system
- Low-friction cylindrical rollers ensure a feather-light glide
- Tool-free height adjustment via a locking device
- Tool-free integrated front tilt adjustment
- Built-in width and depth tolerance compensation

### Space requirement



NL Nominal length

### Order information

1		Runners left/right	
Nominal length NL (mm)	Dynamic carrying capacity (kg)		
	30	50	
250	560F2500B		
270	560F2700B		
300	560F3000B		
350	560F3500B		
400	560F4000B		
450	560F4500B	566F4500B	
500	560F5000B	566F5000B	
550	560F5500B	566F5500B	
600	560F6000B	566F6000B	
650		566F6500B	
700		566F7000B	
750		566F7500B	

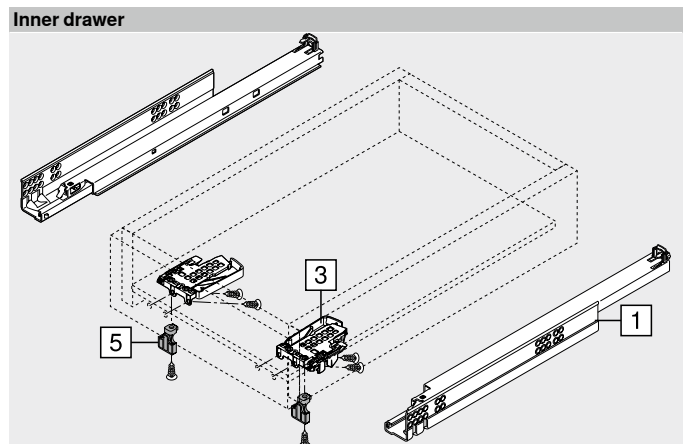
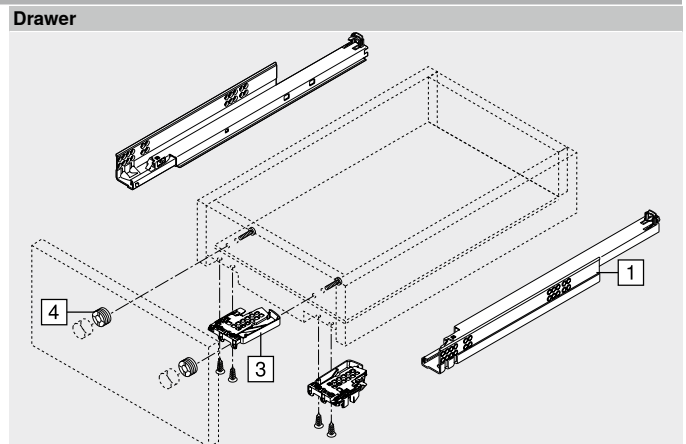
3		Locking device left/right	
Colour	Material	Part no.	
Orange	Nylon/zinc	T51.1700.04	

Order left/right

4		Front adjuster	
Colour	Material	Part no.	
Natural	Nylon	295.1000	

5		POSISTOP	
Colour	Material	Part no.	
RAL 7037 dust grey	Nylon	298.5500	

Depth stop



**TANDEM plus BLUMOTION 560F | 566F**

Webcode  
**DQHL6M**

**Planning**

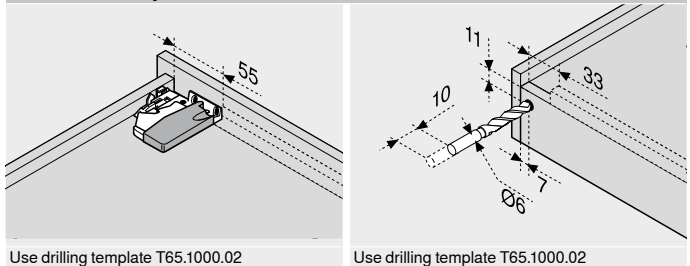
Space requirement in cabinet	Drawer   inner drawer	Drawer	Inner drawer
	<p>SKW Internal drawer width                      LW Internal cabinet width</p>	<p>SKL Drawer length                      NL Nominal length</p>	<p>ISKL Inner drawer length                      SKL Drawer length                      NL Nominal length                      X Front thickness                      * Additional +2 mm with POSISTOP</p>

**Hole spacing – runners**

Nominal length NL (mm)	Hole spacing diagram
250   270	
300   350	
400	
450	
500   550	
600	
650   700   750	

\* Hole only at 566F (50 kg)

**Drawer assembly**



Use drilling template T65.1000.02

Use drilling template T65.1000.02

**Page instructions**

Overview – TANDEM	409	<b>TANDEM 19 mm</b>
Overview – SERVO-DRIVE for MOVENTO   TANDEM	455	
CABLOXX	552	Short-URL
Accessories	444	<a href="http://www.blum.com/i011">www.blum.com/i011</a>
Attachment of runners	452	
Overview – assembly devices	561	
More technical details	662	



**Assembly, removal and adjustment**

Short-URL  
[www.blum.com/a420](http://www.blum.com/a420)

