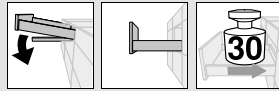


Runner systems



- ▶ TANDEM
- ▶▶ Hook & peg variant – single extension



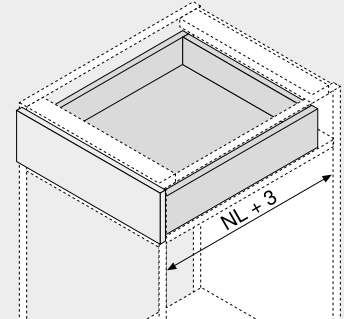
TANDEM BLUMOTION – 551H

Webcode
DQD65A



- Concealed TANDEM single extension with soft end stop when opening and integrated **BLUMOTION** for silent and effortless closing
- Suitable for use with SERVO-DRIVE – the electrical opening support system
- Lift-off stop and height adjustment integrated into runner system
- TANDEM inside – unsurpassed running action – for the lifetime of the furniture

Space requirement



NL Nominal length

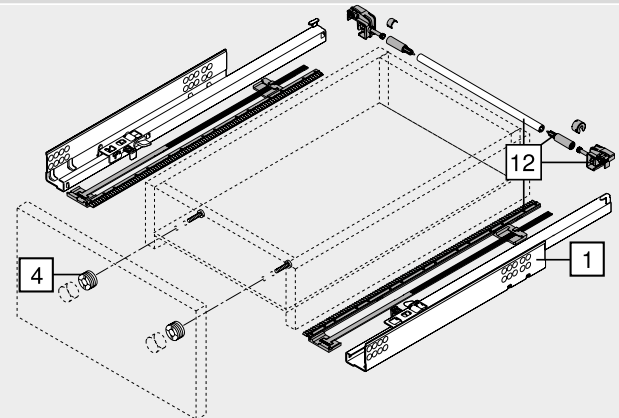
Order information

1	Runners left/right	
Nominal length NL (mm)	Dynamic carrying capacity (kg)	
260		551H2601B
285		551H2851B
310		551H3101B
335		551H3351B
360		551H3601B
385		551H3851B
410		551H4101B
435		551H4351B
460		551H4601B
485		551H4851B
510		551H5101B
535		551H5351B
560		551H5601B

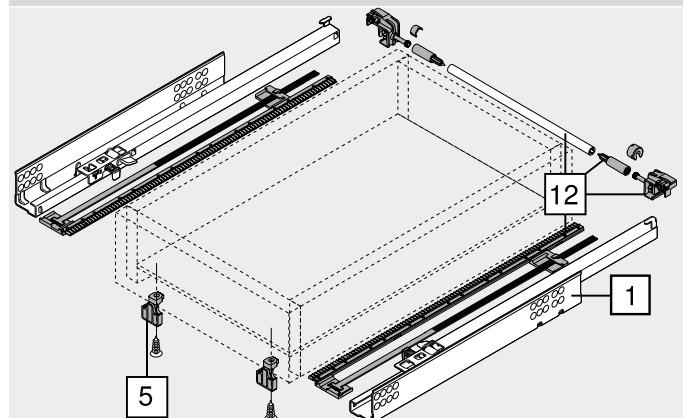
a Accessories

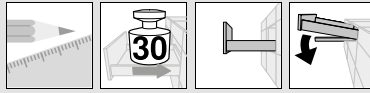
4	Front adjuster		
	Material	Colour	Part no.
	Nylon	Natural	295.1000
5	POSISTOP		
	Material	Colour	Part no.
	Nylon	RAL 7037 dust grey	298.5500
Depth stop			
12	Side stabilisation set for single extension		
	Nominal length NL (mm)	Part no.	
	Up to 410	ZST.410TT	
	Up to 650	ZST.650TT	
For cutting to size			
Suitable for cabinet width KB 1400 mm			

Drawer



Inner drawer



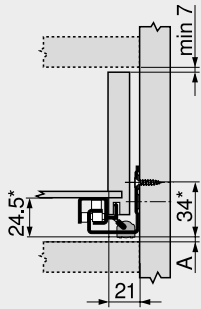


TANDEM BLUMOTION – 551H

Webcode
 DQD65A

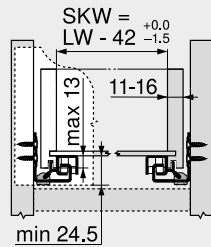
Planning

Space requirement in cabinet



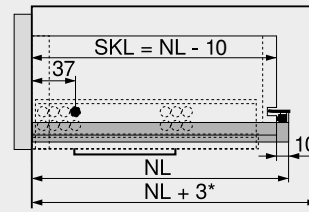
A 3 mm distance to interchange with full extension
 * +3 mm with side stabilisation

Drawer | inner drawer



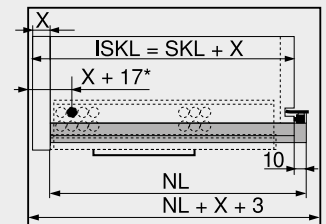
SKW Internal drawer width
 LW Internal cabinet width

Drawer



SKL Drawer length
 NL Nominal length
 * Additional +12 mm with side stabilisation

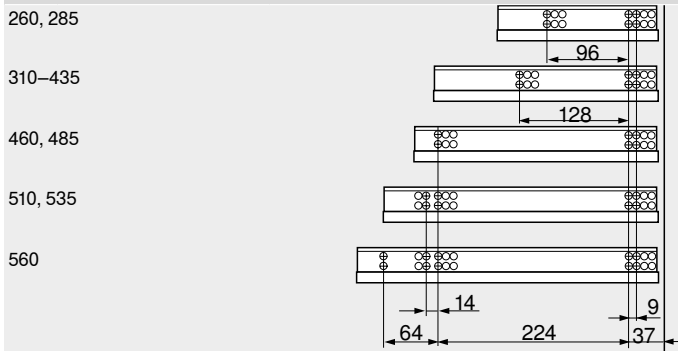
Inner drawer



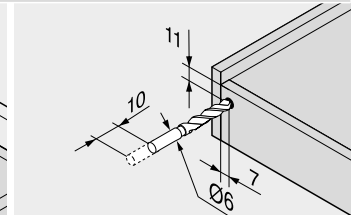
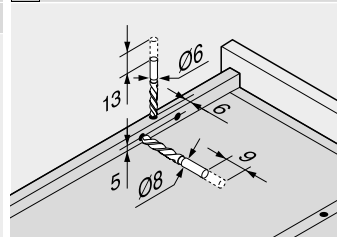
ISKL Inner drawer length
 SKL Drawer length
 NL Nominal length
 X Front thickness
 * Additional +2 mm with POSISTOP

Screw position – cabinet profiles

Nominal length NL (mm)

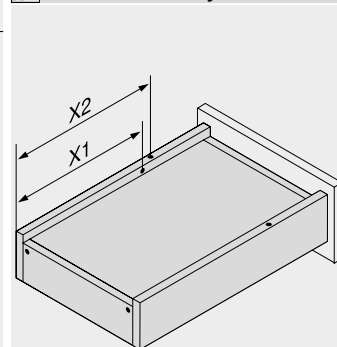


Drawer assembly



Use drilling template T65.1000.02

Drawer assembly



Nominal length NL (mm)	Pegs	
	X2 (mm)	X1 (mm)
260	205	185
285	220	200
310	230	210
335	245	225
360	275	255
385	285	265
410	300	280
435	310	290
460	335	315
485	350	330
510	360	340
535	375	355
560	405	385

Page instructions

Overview – TANDEM	465	Assembly, removal and adjustment
Overview – SERVO-DRIVE for MOVENTO TANDEM	491	
CABLOXX	586	Short-URL www.blum.com/a420
Accessories	484	
Cabinet profile fixing positions	488	
Overview – assembly devices	595	
More technical details	686	

