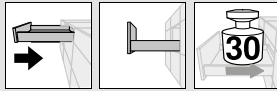


Runner systems



- ▶ TANDEM
- ▶▶ Locking device feature – single extension



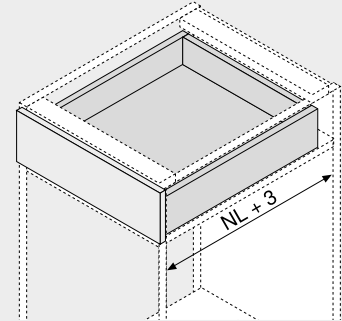
TANDEM – 550H

Webcode
DQD41A



- Concealed TANDEM single extension with soft end stop when opening and integrated **BLUMATIC** self-insertion technology
- Suitable for use with TIP-ON – the mechanical opening support system
- Tool-free height adjustment via a locking device
- Built-in width and depth tolerance compensation
- Optional TIP-ON synchronisation for secure triggering even with wide fronts
- TANDEM inside – unsurpassed running action – for the lifetime of the furniture

Space requirement



NL Nominal length

Order information

1	Runners left/right
Nominal length	Dynamic carrying capacity (kg)
NL (mm)	30
270	550H2700.03
300	550H3000.03
350	550H3500.03
400	550H4000.03
450	550H4500.03
500	550H5000.03
550	550H5500.03
600	550H6000.03
650	550H6500.03

The output path can vary depending on the load or the adjustment!

3	Locking device left/right	
Material	Colour	Part no.
Nylon/zinc	Orange	T51.1700.04

Order left/right

a Accessories

4	Front adjuster	
Material	Colour	Part no.
Nylon	Natural	295.1000

6a	TIP-ON left/right
Dynamic carrying capacity (kg)	Part no.
30	T55.1150S

Only suitable for TANDEM

6b	TIP-ON synchronisation pinion set	
Version	Colour	Part no.
Semicircular	RAL 7037 dust grey	T55.000R

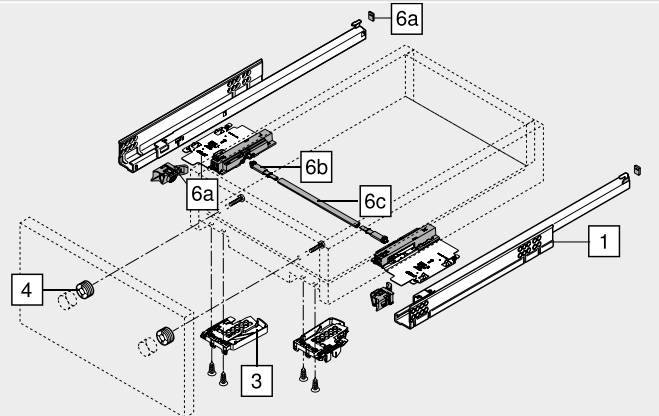
6c	TIP-ON synchronisation linkage	
Cabinet width KB (mm)	Version	Part no.
Up to 1200	Semicircular	T55.889W

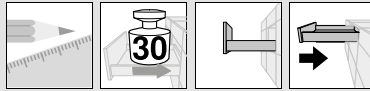
For cutting to size

Starting with cabinet width KB 600 mm

Cutting Internal cabinet width LW – 277 mm

Drawer



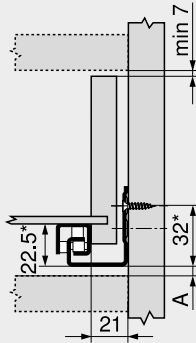


TANDEM – 550H

Webcode
 DQD41A

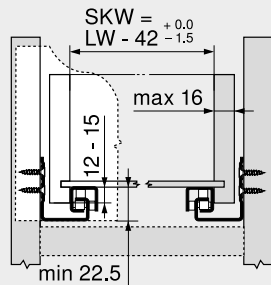
Planning

Space requirement in cabinet



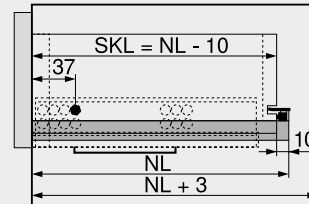
A 5 mm distance to interchange with full extension
 * +1 mm with TIP-ON

Drawer | inner drawer



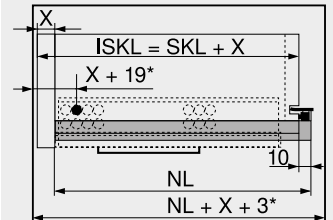
SKW Internal drawer width
 LW Internal cabinet width

Drawer



SKL Drawer length
 NL Nominal length

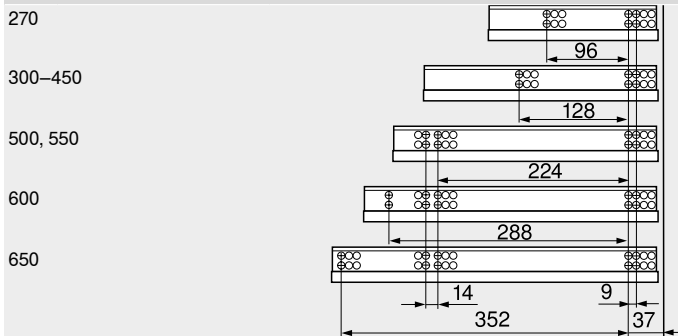
Inner drawer



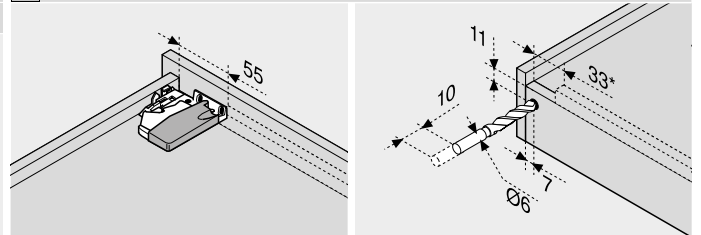
ISKL Inner drawer length
 SKL Drawer length
 NL Nominal length
 X Front thickness
 * Additional +4 mm with TIP-ON

Screw position – cabinet profiles

Nominal length NL (mm)



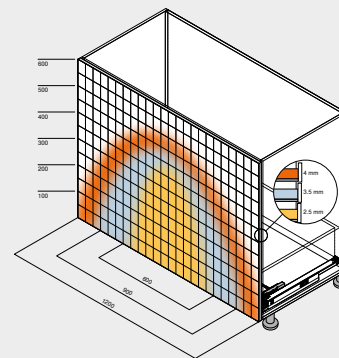
Drawer assembly



Use drilling template T65.1000.02

* 85 mm with TIP-ON
 Use drilling template T65.1000.02

Trigger range



Example for 560H, nominal length NL 500 mm, four sided drawer, with synchronisation

Page instructions

Overview – TANDEM	465	Assembly, removal and adjustment
Accessories	484	
Cabinet profile fixing positions	488	
CABLOXX	586	Short-URL
Overview – assembly devices	595	
More technical details	686	

