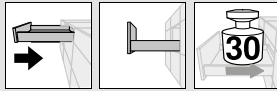


# Runner systems



- ▶ TANDEM
- ▶▶ Locking device feature – single extension



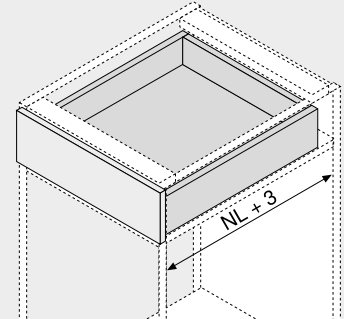
## TANDEM BLUMOTION – 550H

Webcode  
DQD3BY



- Concealed TANDEM single extension with soft end stop when opening and integrated **BLUMOTION** for silent and effortless closing
- Suitable for use with SERVO-DRIVE – the electrical opening support system
- Tool-free height adjustment via a locking device
- Built-in width and depth tolerance compensation
- TANDEM inside – unsurpassed running action – for the lifetime of the furniture

### Space requirement



NL Nominal length

### Order information

1	Runners left/right		
Nominal length NL (mm)	Dynamic carrying capacity (kg)		
270	550H2700B		
300	550H3000B		
350	550H3500B		
400	550H4000B		
450	550H4500B		
500	550H5000B		
550	550H5500B		
600	550H6000B		
650	550H6500B		

3	Locking device left/right		
	Material	Colour	Part no.
	Nylon/zinc	Orange	T51.1700.04
Order left/right			

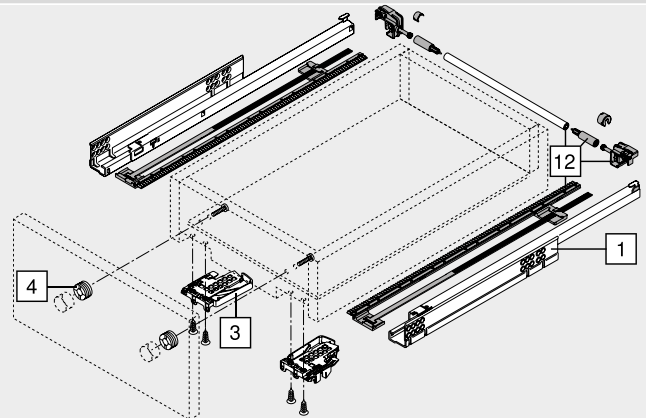
### a Accessories

4	Front adjuster		
	Material	Colour	Part no.
	Nylon	Natural	295.1000

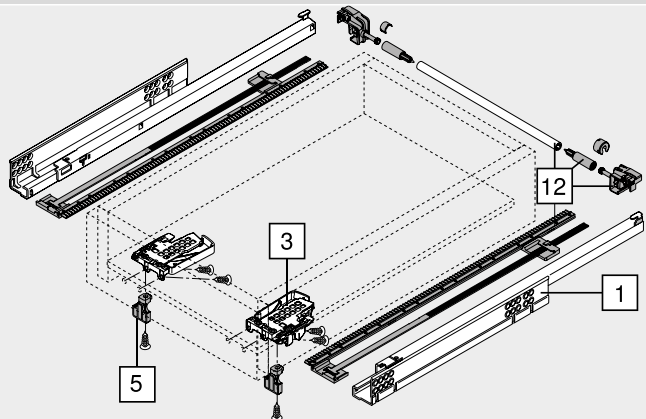
5	POSISTOP		
	Material	Colour	Part no.
	Nylon	RAL 7037 dust grey	298.5500
Depth stop			

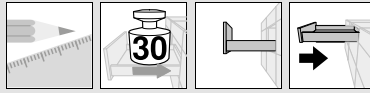
12	Side stabilisation set for single extension		
	Nominal length NL (mm)	Part no.	
	Up to 400	ZST.410TT	
	Up to 650	ZST.650TT	
For cutting to size			
Suitable for cabinet width KB 1400 mm			

### Drawer



### Inner drawer



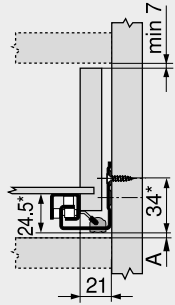


TANDEM BLUMOTION – 550H

Webcode  
 DQD3BY

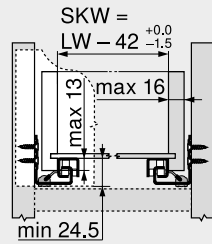
Planning

Space requirement in cabinet



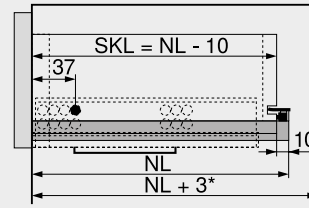
A 3 mm distance to interchange with full extension  
 \* +3 mm with side stabilisation

Drawer | inner drawer



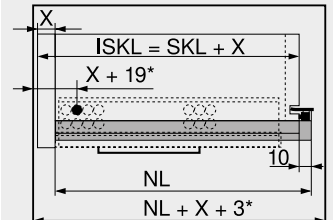
SKW Internal drawer width  
 LW Internal cabinet width

Drawer



SKL Drawer length  
 NL Nominal length  
 \* Additional +12 mm with side stabilisation

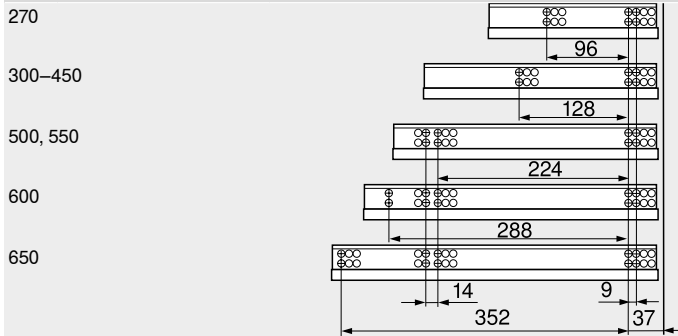
Inner drawer



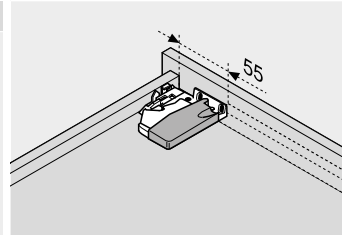
ISKL Inner drawer length  
 SKL Drawer length  
 NL Nominal length  
 X Front thickness  
 \* Additional +2 mm with POSISTOP

Screw position – cabinet profiles

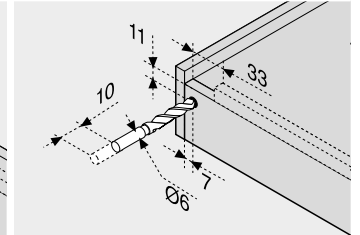
Nominal length NL (mm)



Drawer assembly



Use drilling template T65.1000.02



Use drilling template T65.1000.02

Page instructions

Overview – TANDEM	465	Assembly, removal and adjustment
Overview – SERVO-DRIVE for MOVENTO   TANDEM	491	
CABLOXX	586	Short-URL
Accessories	484	<a href="http://www.blum.com/a420">www.blum.com/a420</a>
Cabinet profile fixing positions	488	
Overview – assembly devices	595	
More technical details	686	

