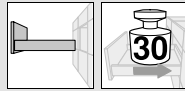


# Runner systems



- ▶ STANDARD
- ▶▶ Full extension



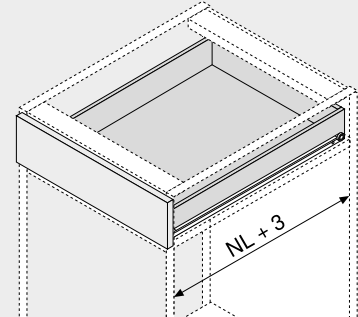
## STANDARD – 430E

Webcode  
DQD7JY



- BLUMATIC self closing feature with closed position stops
- Dyn. load bearing 30 kg
- Built-in locator for easy assembly
- Integrated pull-out stop (starting at 300 mm NL Nominal length)
- Two-side guided runner system
- Epoxy coated, cream (RAL 9001)

### Space requirement



NL Nominal length

### Order information

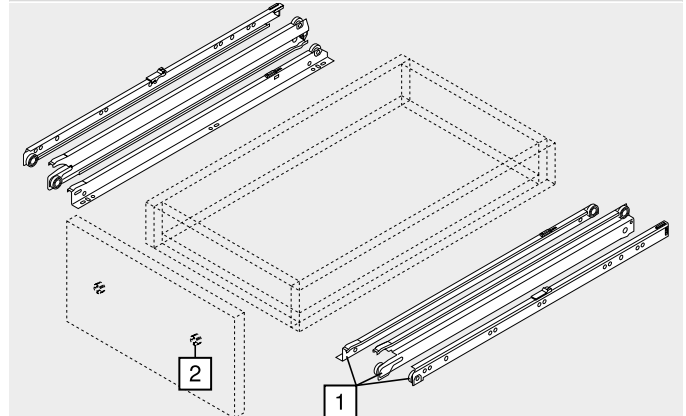
1	Cabinet, centre and drawer profile left/right		
<b>Nominal length</b>	<b>Colour</b>		
<b>NL (mm)</b>	<b>R9001</b>		
250	430E2500		
300	430E3000V		
350	430E3500V		
400	430E4000V		
450	430E4500V		
500	430E5000V		
550	430E5500V		
600	430E6000V		
650	430E6500V		
700	430E7000V		
750	430E7500V		
800	430E8000V		

**Colour**  
R9001 RAL 9001 cream

### Accessories

2	Front adjuster		
	<b>Material</b>	<b>Colour</b>	<b>Part no.</b>
	Nylon	Natural	295.1000

### Drawer



STANDARD ◀  
Full extension ◀◀

Runner systems



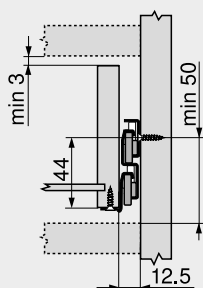
blum®

STANDARD – 430E

Webcode  
DQD7JY

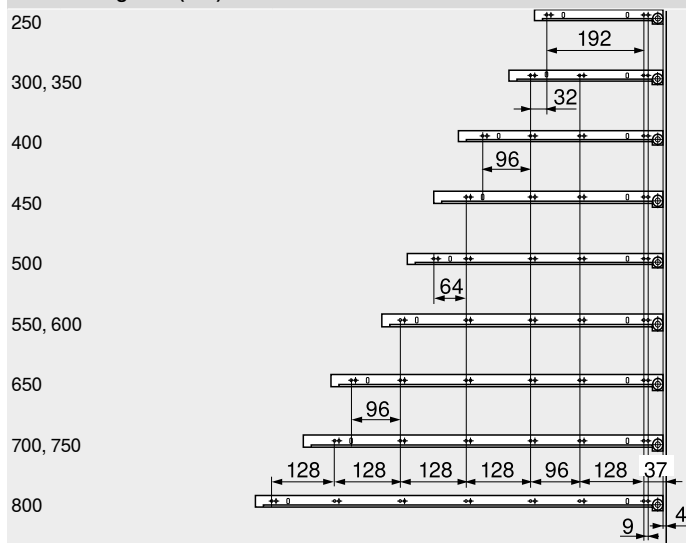
Planning

Space requirement in cabinet



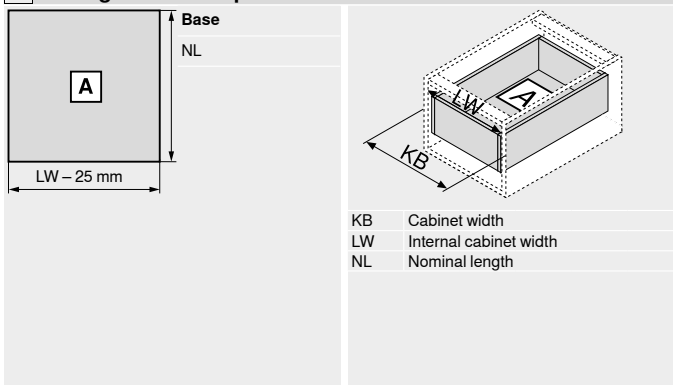
Screw position – cabinet profiles

Nominal length NL (mm)



Internal cabinet depth LT min. = nominal length NL + 3 mm

Cutting – 16 mm chipboard



Page instructions

Overview – STANDARD	525	Assembly, removal and adjustment	
Accessories	530		
Cabinet profile fixing positions	534		
Overview – assembly devices	595	Short-URL	
More technical details	686	<a href="http://www.blum.com/a470">www.blum.com/a470</a>	