

Box systems



- ▶ TANDEMBOX intivo
- ▶▶ Standard cabinet



Box systems

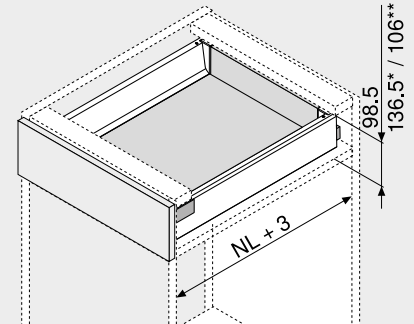
Drawer | inner drawer – M



- Concealed, guided full extension – unsurpassed running action – for the lifetime of the furniture
- Tool-free front assembly
- 2-dimensional front adjustment
- Includes integrated **BLUMOTION** for silent and effortless closing action, can be combined with **SERVO-DRIVE**
- Either with **TIP-ON BLUMOTION** for handle-less furniture, or even for furniture with handle elements as a design feature
- Inner drawers either with handle or handle and latch

Web-code	Drawer	DQBWEM
	Inner drawer	

Space requirement



NL	Nominal length
*	Inner drawer
**	Inner drawer with handle

Order information

Drawer Inner drawer

1	<input type="checkbox"/>	Cabinet profiles left/right
		BLUMOTION
Nominal length NL (mm)		Dynamic carrying capacity (kg)
	30	65
270	578.2701B	
300	578.3001B	
350	578.3501B	
400	578.4001B	
450	578.4501B	576.4501B
500	578.5001B	576.5001B
550	578.5501B	576.5501B
600	578.6001B	576.6001B
650	578.6501B	576.6501B

2	<input type="checkbox"/>	Left/right drawer sides
		Material Steel
Nominal length NL (mm)		Colour SW TS
270	378M2702SA	
300	378M3002SA	
350	378M3502SA	
400	378M4002SA	
450	378M4502SA	
500	378M5002SA	
550	378M5502SA	
600	378M6002SA	
650	378M6502SA	

Incl. cover caps (Can be individually printed – minimum order quantity 1000 items)

3	<input type="checkbox"/>	Back fixing left/right
		Colour SW TS Material Steel Part no. Z30M000S.04

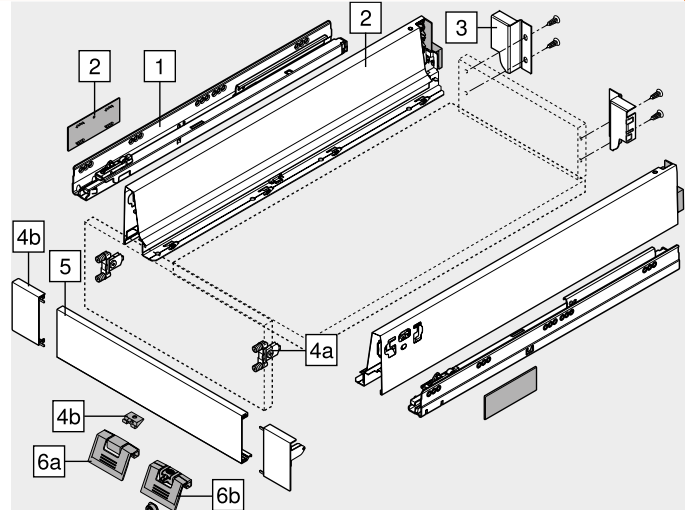
4a	<input checked="" type="checkbox"/>	Front fixing bracket
		Fixing method Part no.
		INSERTA 2 x ZSF.39A2
		Screw-on 2 x ZSF.35A2
		Knock-in 2 x ZSF.36A2

4b	<input type="checkbox"/>	Front fixing left/right
		Colour SW TS Material Steel Part no. ZIF.80M0.01

Composed of:

- 4b 1 x Front fixing left/right
- 4b 1 x Locking piece – Z31A0008

@ | ☎ Check product availability

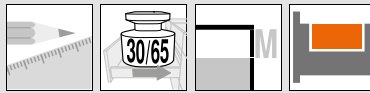


5	<input type="checkbox"/>	Front piece without groove
		Colour SW TS Length (mm) 1036 Part no. Z31L1036A
<input checked="" type="checkbox"/>	Cutting	Internal cabinet width LW – 132 mm

a	<input type="checkbox"/>	Accessories
6a	<input type="checkbox"/>	Handle
		Colour SW S Material Nylon Part no. ZIF.80M5

Alternative to 6a	<input type="checkbox"/>	Handle and latch
		Colour SW S Material Nylon Part no. ZIF.80M7

Colour	SW	Silk white	S	Black
	TS	Terra black		



Drawer | inner drawer – M

Web-code	Drawer	DQBWEM
	Inner drawer	

Planning

Space requirement in cabinet	Installation dimensions – front – screw-on	Drilling distances – front – INSERTA knock-in	Installation dimensions – back
<p>* Inner drawer ** Inner drawer with handle possible from height 73 mm</p>	<p>FA Front overlay</p>		

Screw position – cabinet profiles

Nominal length NL (mm)	Diagram
270	
300	
350	
400	
450	
500	
550	
600	
650	

Internal cabinet depth LT min. = nominal length NL + 3 mm
* Line drilling only with 578.4501B (30 kg)

Cutting – 16 mm chipboard

Part	Dimensions
Back	84 mm
Base	Chipboard back NL – 24 mm Steel back NL – 22 mm
Internal cabinet width	LW
Cabinet width	KB
Nominal length	NL

Drilling distances – front – latch

Diagram	Dimensions
	12 mm, 61.5 mm, x + 47 mm, min 17 mm, Ø 25 mm

Page instructions

Overview – TANDEMBOX intivo	271	Cabinet profile fixing positions	295	Assembly, removal and adjustment	
Overview – SERVO-DRIVE for LEGRABOX TANDEMBOX	379	Overview – assembly devices	595		
TIP-ON BLUMOTION for TANDEMBOX	372	More technical details	686		
Overview – ORGA-LINE for TANDEMBOX	551				
CABLOXX	586			Short-URL	
Accessories – steel back	291			www.blum.com/a340	
Accessories	291				