

Box systems



- ▶ TANDEMBOX antaro
- ▶▶ Standard cabinet

Drawer – M

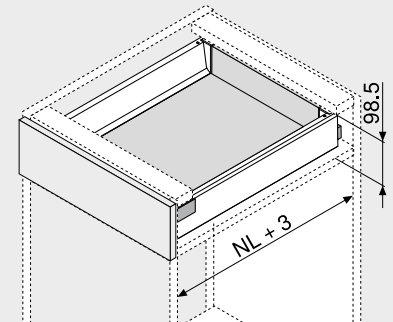
Webcode

DQC2QM



- Concealed, guided full extension – unsurpassed running action – for the lifetime of the furniture
- Tool-free front assembly
- 2-dimensional front adjustment
- Includes integrated **BLUMOTION** for silent and effortless closing action, can be combined with **SERVO-DRIVE**
- Either with **TIP-ON BLUMOTION** for handle-less furniture, or even for furniture with handle elements as a design feature

Space requirement



NL Nominal length

Order information

1	Cabinet profiles left/right	
	BLUMOTION	
Nominal length	Dynamic carrying capacity (kg)	
NL (mm)	30	65
270	578.2701B	
300	578.3001B	
350	578.3501B	
400	578.4001B	
450	578.4501B	576.4501B
500	578.5001B	576.5001B
550	578.5501B	576.5501B
600	578.6001B	576.6001B
650		576.6501B

2	Drawer side set	
	Drawer side height (mm) 83.6	
Nominal length	Colour	
NL (mm)	SW TS R9006	
270	378M2702SA	
300	378M3002SA	
350	378M3502SA	
400	378M4002SA	
450	378M4502SA	
500	378M5002SA	
550	378M5502SA	
600	378M6002SA	
650	378M6502SA	

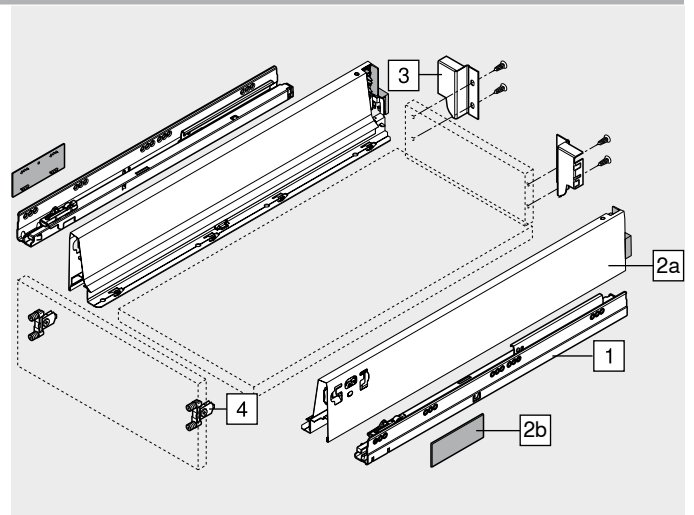
Composed of:

- 2a 1 x Left/right drawer sides
 2b 2 x Cover caps, stamped with Blum logo, starting at 1000 pcs. individually printed

3	Back fixing left/right		
	Colour	Material	Part no.
	SW TS R9006	Steel	Z30M000S.04

4	Front fixing bracket		
	Fixing method		Part no.
	INSERTA	2 x	ZSF.39A2
	Screw-on	2 x	ZSF.35A2
	Knock-in	2 x	ZSF.36A2

Colour	Colour
SW Silk white	R9006 RAL 9006 grey (white aluminium)
TS Terra black	



Drawer – M

Webcode
DQC2QM

Planning

Space requirement in cabinet	Installation dimensions – front – screw-on	Drilling distances – front – INSERTA knock-in	Installation dimensions – back
	<p>FA Front overlay</p>		

Hole spacing – cabinet profiles

Nominal length NL (mm)

270	
300	
350	
400	
450	
500	
550	
600	
650	

Internal cabinet depth LT min. = nominal length NL + 3 mm
* Line drilling only with 578.4501B (30 kg)

Cutting – 16 mm chipboard

<p>B</p> <p>Back 84 mm</p> <p>LW – 87 mm</p>	
<p>A</p> <p>Base</p> <p>Chipboard back NL – 24 mm</p> <p>Steel back NL – 22 mm</p> <p>LW – 75 mm</p>	
	<p>KB Cabinet width</p> <p>LW Internal cabinet width</p> <p>NL Nominal length</p>

Page instructions

Overview – TANDEMBOX antaro	263	Accessories	300	Assembly, removal and adjustment
Overview – SERVO-DRIVE for LEGRABOX TANDEMBOX	321	Cabinet profile fixing positions	308	
Overview – TIP-ON BLUMOTION for TANDEMBOX	313	Overview – assembly devices	561	
Overview – ORGA-LINE for TANDEMBOX CABLOXX	515	More technical details	662	
Accessories – steel back	302			Short-URL www.blum.com/a350

Box systems



- ▶ TANDEMBOX antaro
- ▶▶ Standard cabinet

Inner drawer – M

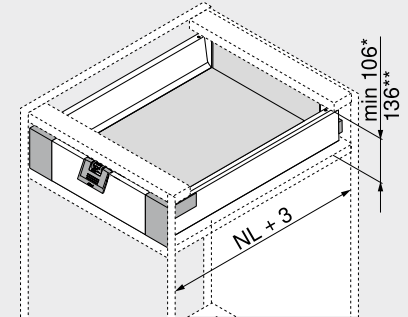
Webcode

DQC45A



- Concealed, guided full extension – unsurpassed running action – for the lifetime of the furniture
- Tool-free front assembly
- Includes integrated **BLUMOTION** for silent and effortless closing action, can be combined with **SERVO-DRIVE**
- Either with **TIP-ON BLUMOTION** for handle-less furniture, or even for furniture with handle elements as a design feature
- Inner drawers either with handle or handle and latch

Space requirement



NL Nominal length
 * Min. space requirement for inner drawers with or without handles
 ** Inner drawers with easy access from above

Order information

1	Cabinet profiles left/right	
	BLUMOTION	
Nominal length	Dynamic carrying capacity (kg)	
NL (mm)	30	65
270	578.2701B	
300	578.3001B	
350	578.3501B	
400	578.4001B	
450	578.4501B	576.4501B
500	578.5001B	576.5001B
550	578.5501B	576.5501B
600	578.6001B	576.6001B
650		576.6501B

2	Drawer side set	
	Drawer side height (mm) 83.6	
Nominal length	Colour	
NL (mm)	SW TS R9006	
270	378M2702SA	
300	378M3002SA	
350	378M3502SA	
400	378M4002SA	
450	378M4502SA	
500	378M5002SA	
550	378M5502SA	
600	378M6002SA	
650	378M6502SA	

Composed of:
 2a 1 x Left/right drawer sides
 2b 2 x Cover caps, stamped with Blum logo, starting at 1000 pcs. individually printed

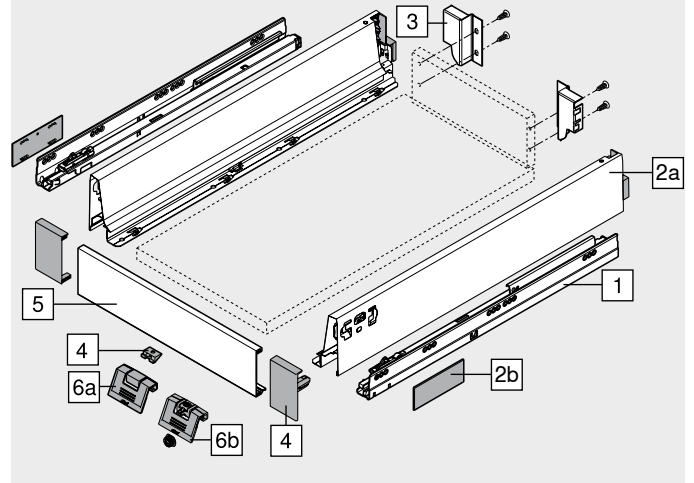
3	Back fixing left/right		
	Colour	Material	Part no.
	SW TS R9006	Steel	Z30M000S.04

4	Front fixing left/right		
	Colour	Material	Part no.
	SW S WGR	Nylon	ZIF.71M0

Composed of:
 4 1 x Front fixing left/right
 4 1 x Locking piece – Z31A0008

5	Front piece without groove		
	Colour	Length (mm)	Part no.
	SW TS R9006	1036	Z31L1036A

Cutting Internal cabinet width LW – 132 mm



Accessories

6a	Handle	Material	Part no.
	Colour	Nylon	ZIF.80M5
	SW S WGR		

Alternative to 6a

6b	Handle and latch	Material	Part no.
	Colour	Nylon	ZIF.80M7
	SW S WGR		

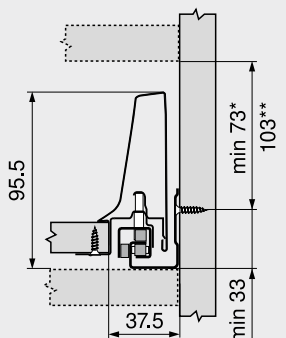
Colour		Colour	
SW	Silk white	S	Black
TS	Terra black	WGR	White grey
R9006	RAL 9006 grey (white aluminium)		

Inner drawer – M

Webcode
DQC45A

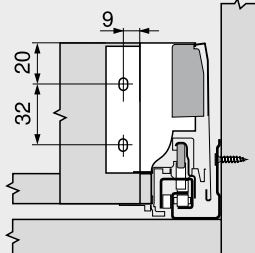
Planning

Space requirement in cabinet

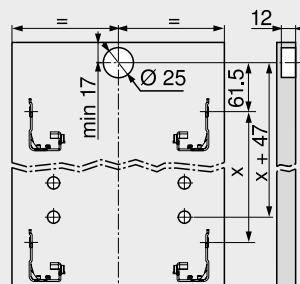


* Min. space requirement for inner drawers with or without handles
Without a handle, opening is only possible from the bottom
** Inner drawers with easy access from above

Installation dimensions – back



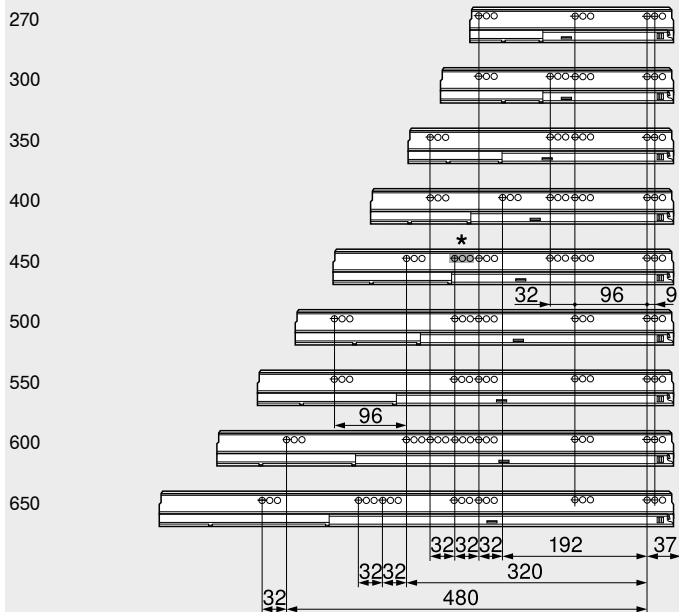
Drilling distances – front – latch



Inner drawer

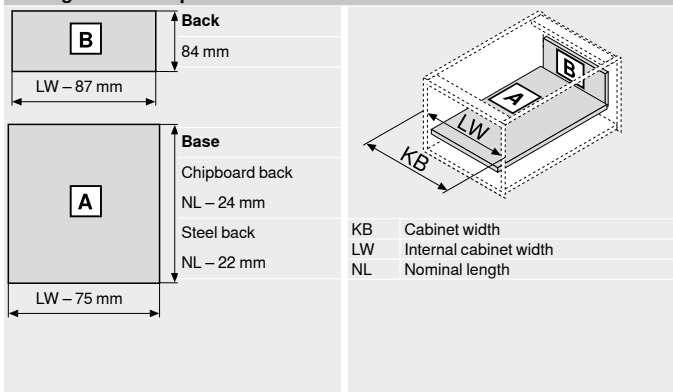
Hole spacing – cabinet profiles

Nominal length NL (mm)



Internal cabinet depth LT min. = nominal length NL + 3 mm
* Line drilling only with 578.4501B (30 kg)

Cutting – 16 mm chipboard



Page instructions

Overview – TANDEMBOX antaro	263	Accessories	300	Assembly, removal and adjustment
Overview – SERVO-DRIVE for LEGRABOX TANDEMBOX	321	Cabinet profile fixing positions	308	
Overview – TIP-ON BLUMOTION for TANDEMBOX	313	Overview – assembly devices	561	
Overview – ORGA-LINE for TANDEMBOX CABLOXX	515	More technical details	662	
Accessories – steel back	302			

Short-URL
www.blum.com/a350

