

Box systems

blum

- ▶ TANDEMBOX intivo
- ▶▶ Standard cabinet



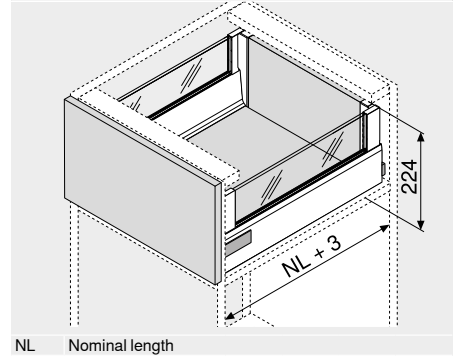
High fronted pull-out | inner pull-out – BOXCOVER – D



- With BOXCOVER and design element
- Concealed, guided full extension – unsurpassed running action – for the lifetime of the furniture
- Tool-free front assembly
- 3-dimensional front adjustment
- Includes integrated **BLUMOTION** for silent and effortless closing action, can be combined with **SERVO-DRIVE**
- Either with **TIP-ON BLUMOTION** for handle-less furniture, or even for furniture with handle elements as a design feature

Web-code	High fronted pull-out	DQBYIM
	Inner pull-out	DQC1BY

Space requirement



NL Nominal length

Order information

High fronted pull-out Inner pull-out

1 <input checked="" type="checkbox"/> Cabinet profiles left/right	
BLUMOTION	
Nominal length NL (mm)	Dynamic carrying capacity (kg)
	30 65
270	578.2701B
300	578.3001B
350	578.3501B
400	578.4001B
450	578.4501B 576.4501B
500	578.5001B 576.5001B
550	578.5501B 576.5501B
600	578.6001B 576.6001B
650	578.6501B 576.6501B

2 <input checked="" type="checkbox"/> Left/right drawer sides	
Material Steel	
Nominal length NL (mm)	Colour SW TS
270	378L2702SA
300	378L3002SA
350	378L3502SA
400	378L4002SA
450	378L4502SA
500	378L5002SA
550	378L5502SA
600	378L6002SA
650	378L6502SA

Incl. cover caps (Can be individually printed – minimum order quantity 1000 items)

3 <input checked="" type="checkbox"/> Back fixing left/right			
Colour	Material	Part no.	
SW TS	Steel	Z30D000SL	

4a <input checked="" type="checkbox"/> Front fixing bracket			
Fixing method		Part no.	
Screw-on	2 x	ZSF.5220	
EXPANDO	2 x	ZSF.532E	

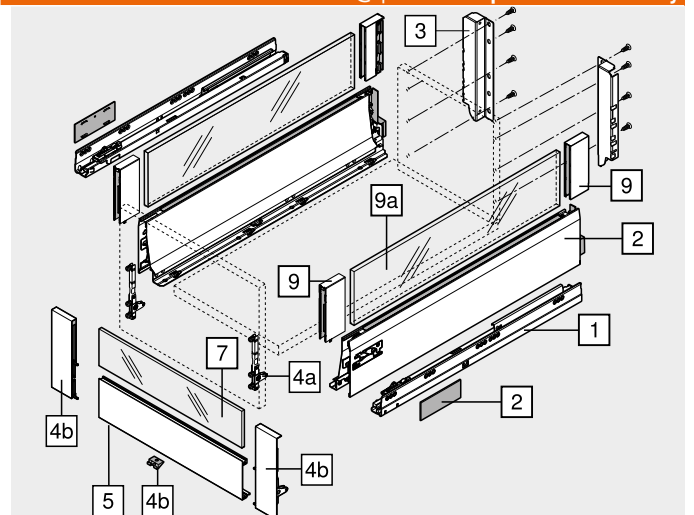
4b <input type="checkbox"/> Front fixing left/right			
Colour	Material	Part no.	
SW TS	Steel	ZIF.81D0.01	

Composed of:
4b 1 x Front fixing left/right
4b 1 x Locking piece – Z31A0008

5 <input type="checkbox"/> Front piece with groove			
Colour	Length (mm)	Part no.	
SW TS	1036	Z31L1036AN	

Cutting Internal cabinet width LW – 132 mm

@ | ☎ Check product availability



7 <input type="checkbox"/> Glass design element (for inner pull-out front)		
Material	Part no.	
Glass	Z37GxxxD	

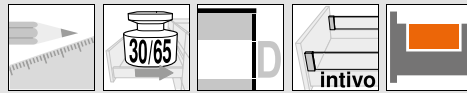
For order specification, see design element

9 <input checked="" type="checkbox"/> BOXCOVER left/right			
Colour	Material	Part no.	
SW TS	Steel	Z36L002G.S	

9a <input type="checkbox"/> Glass design element (side)		
Material	Part no.	
Glass	Z37GxxxD	

For order specification, see design element

Colour		Colour	
SW	Silk white	TS	Terra black



High fronted pull-out | inner pull-out – BOXCOVER – D

Web-code	High fronted pull-out	DQBYIM
	Inner pull-out	DQC1BY

Planning

Space requirement in cabinet	Installation dimensions – front – screw-on	Drilling distances – front – EXPANDO front	Installation dimensions – back
	<p>FA Front overlay</p>		

Screw position – cabinet profiles

Nominal length NL (mm)	Diagram
270	
300	
350	
400	
450	
500	
550	
600	
650	

Internal cabinet depth LT min. = nominal length NL + 3 mm
* Line drilling only with 578.4501B (30 kg)

Cutting – 16 mm chipboard

B	Back	199 mm							
LW – 87 mm									
A	Base	Chipboard back NL – 24 mm Steel back NL – 22 mm	<table border="1"> <tr><td>KB</td><td>Cabinet width</td></tr> <tr><td>LW</td><td>Internal cabinet width</td></tr> <tr><td>NL</td><td>Nominal length</td></tr> </table>	KB	Cabinet width	LW	Internal cabinet width	NL	Nominal length
KB	Cabinet width								
LW	Internal cabinet width								
NL	Nominal length								
LW – 75 mm									

Cutting – design element

Design element	X (mm)	Y (mm)
Front	LW – 118	100
Side	NL – 60	100
LW	Internal cabinet width	
NL	Nominal length	

The given dimensions in combination with LEGRABOX | TANDEMBOX do not require "impact testing for vertically installed glass parts" as per the DIN EN 14749 norm June 2016. For norm compliance no safety glass is required. The edge is a polished flat-ended edge with a 1 mm ±0.5 mm bevel.

Page instructions

Overview – TANDEMBOX intivo	271	Accessories	291	Assembly, removal and adjustment
Overview – SERVO-DRIVE for LEGRABOX TANDEMBOX	379	Cabinet profile fixing positions	295	
TIP-ON BLUMOTION for TANDEMBOX	372	Overview – assembly devices	595	
Overview – ORGA-LINE for TANDEMBOX	551	More technical details	686	
CABLOXX	586			
Design element	290			Short-URL
Accessories – steel back	291			www.blum.com/a340

Box systems



- ▶ TANDEMBOX intivo
- ▶▶ Standard cabinet



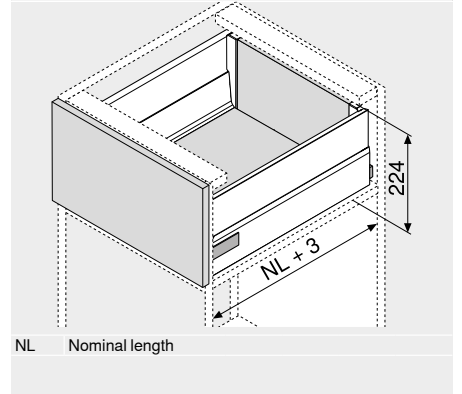
High fronted pull-out | inner pull-out – BOXCAP – D

Web-code	High fronted pull-out	DQBXTA
	Inner pull-out	



- With BOXCAP
- Concealed, guided full extension – unsurpassed running action – for the lifetime of the furniture
- Tool-free front assembly
- 3-dimensional front adjustment
- Includes integrated **BLUMOTION** for silent and effortless closing action, can be combined with **SERVO-DRIVE**
- Either with **TIP-ON BLUMOTION** for handle-less furniture, or even for furniture with handle elements as a design feature

Space requirement



Box systems

Order information

High fronted pull-out Inner pull-out

1		Cabinet profiles left/right
		BLUMOTION
Nominal length NL (mm)		Dynamic carrying capacity (kg)
		30 65
270	578.2701B	
300	578.3001B	
350	578.3501B	
400	578.4001B	
450	578.4501B	576.4501B
500	578.5001B	576.5001B
550	578.5501B	576.5501B
600	578.6001B	576.6001B
650	578.6501B	576.6501B

2		Left/right drawer sides
		Material Steel
Nominal length NL (mm)	Colour SW TS	
270	378L2702SA	
300	378L3002SA	
350	378L3502SA	
400	378L4002SA	
450	378L4502SA	
500	378L5002SA	
550	378L5502SA	
600	378L6002SA	
650	378L6502SA	

Incl. cover caps (Can be individually printed – minimum order quantity 1000 items)

3		Back fixing left/right
	Colour SW TS	Material Steel
		Part no. Z30D000SL

4a		Front fixing bracket
	Fixing method	Part no.
	Screw-on	2 x ZSF.5220
	EXPANDO	2 x ZSF.532E

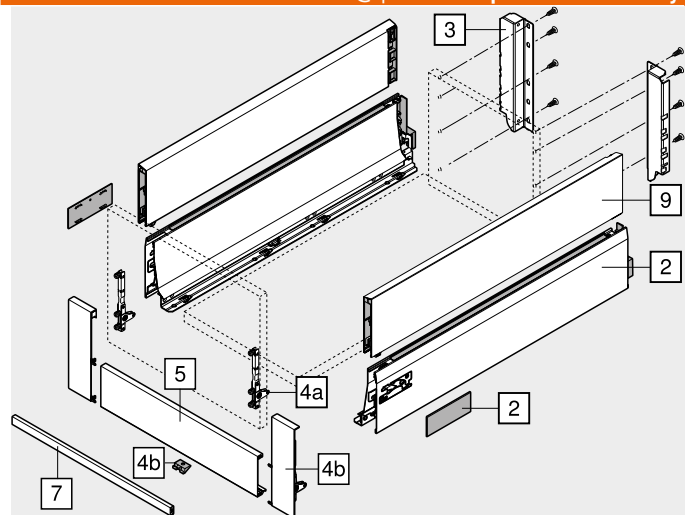
4b		Front fixing left/right
	Colour SW TS	Material Steel
		Part no. ZIF.82D0.01

Composed of:
4b 1 x Front fixing left/right
4b 1 x Locking piece – Z31A0008

5		Front piece without groove
	Colour SW TS	Length (mm) 1036
		Part no. Z31L1036A

Cutting Internal cabinet width LW – 132 mm

@ | ☎ Check product availability

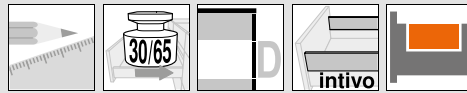


7		Cross gallery
	Colour SW TS	Length (mm) 1046
		Part no. ZRG.1046Z

Cutting Internal cabinet width LW – 122 mm

9		BOXCAP left/right
Nominal length NL (mm)	Colour SW TS	
270	Z37L260S.D	
300	Z37L290S.D	
350	Z37L340S.D	
400	Z37L390S.D	
450	Z37L440S.D	
500	Z37L490S.D	
550	Z37L540S.D	
600	Z37L590S.D	
650	Z37L640S.D	

Colour	SW Silk white	Colour	TS Terra black
---------------	---------------	---------------	----------------



High fronted pull-out | inner pull-out – BOXCAP – D

Web-code	High fronted pull-out	DQBXTA
	Inner pull-out	DQC0MM

Planning

Space requirement in cabinet	Installation dimensions – front – screw-on	Drilling distances – front – EXPANDO front	Installation dimensions – back
	<p>FA Front overlay</p>		

Screw position – cabinet profiles

Nominal length NL (mm)	Diagram
270	
300	
350	
400	
450	
500	
550	
600	
650	

Internal cabinet depth LT min. = nominal length NL + 3 mm
* Line drilling only with 578.4501B (30 kg)

Cutting – 16 mm chipboard

Diagram	Dimensions	Material
	Back: 199 mm LW – 87 mm	Chipboard back
	Base: NL – 24 mm Steel back: NL – 22 mm LW – 75 mm	Steel back

KB Cabinet width
LW Internal cabinet width
NL Nominal length

Page instructions

Overview – TANDEMBOX intivo	271	Cabinet profile fixing positions	295	Assembly, removal and adjustment
Overview – SERVO-DRIVE for LEGRABOX TANDEMBOX	379	Overview – assembly devices	595	
TIP-ON BLUMOTION for TANDEMBOX	372	More technical details	686	
Overview – ORGA-LINE for TANDEMBOX	551			
CABLOXX	586			Short-URL
Accessories – steel back	291			www.blum.com/a340
Accessories	291			

Box systems



- ▶ TANDEMBOX intivo
- ▶▶ Sink cabinet



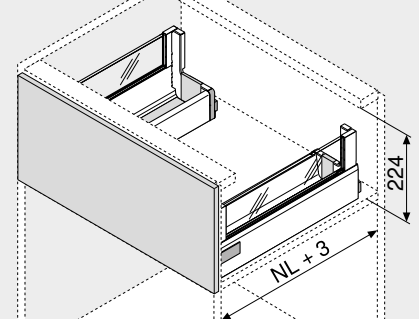
High fronted pull-out – BOXCOVER – D

Webcode
DQBZXA



- Can be combined with standard components
- With BOXCOVER and design element
- Concealed, guided full extension – unsurpassed running action – for the lifetime of the furniture
- 3-dimensional front adjustment
- Includes integrated **BLUMOTION** for silent and effortless closing action, can be combined with **SERVO-DRIVE**
- Either with **TIP-ON BLUMOTION** for handle-less furniture, or even for furniture with handle elements as a design feature

Space requirement



NL Nominal length

Order information

1		Cabinet profiles left/right	
		BLUMOTION	
Nominal length	Dynamic carrying capacity (kg)		
NL (mm)	30	65	
450	578.4501B		
500	578.5001B		
550	578.5501B		
600	578.6001B	576.6001B	
650		576.6501B	

2		Left/right drawer sides exterior	
		Material	Steel
Nominal length	Colour		
NL (mm)	SW TS		
450	378L4502SA		
500	378L5002SA		
550	378L5502SA		
600	378L6002SA		
650	378L6502SA		

Incl. cover caps (Can be individually printed – minimum order quantity 1000 items)

3		Sink back fixing, left/right	
		Colour	Material
		SW TS	Steel
			Part no.
			Z30D000S.22

4a		Front fixing bracket	
		Fixing method	Part no.
		Screw-on	2 x ZSF.5220
		EXPANDO	2 x ZSF.532E

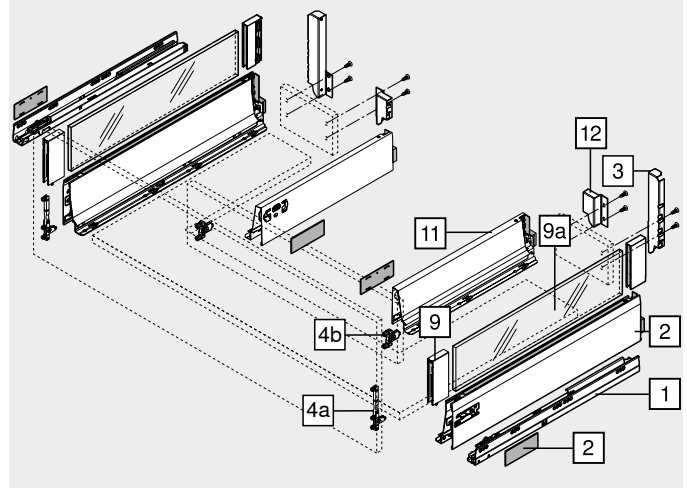
4b		Front fixing bracket	
		Fixing method	Part no.
		INSERTA	2 x ZSF.39A2
		Screw-on	2 x ZSF.35A2
		Knock-in	2 x ZSF.36A2

9		BOXCOVER left/right	
		Colour	Material
		SW TS	Steel
			Part no.
			Z36L002G.S

9a		Glass design element (side)	
		Material	Part no.
		Glass	Z37GxxxD

For order specification, see design element

@ | ☎ Check product availability



11		Left/right drawer sides interior	
		Colour	
Nominal length	SW TS		
NL (mm)			
270	378M2702SA		
300	378M3002SA		
350	378M3502SA		
400	378M4002SA		
450	378M4502SA		
500	378M5002SA		

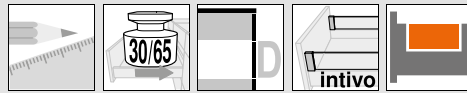
Incl. cover caps (Can be individually printed – minimum order quantity 1000 items)

For effective use of storage space, we recommend

Nominal length NL drawer sides exterior (no 2) – nominal length NL drawer sides interior (no 11) = min. 150 mm

12		Back fixing left/right	
		Colour	Material
		SW TS	Steel
			Part no.
			Z30M000S.04

Colour		Colour	
SW	Silk white	TS	Terra black



High fronted pull-out – BOXCOVER – D

Webcode
DQBZXA

Planning

Space requirement in cabinet	Installation dimensions – front – screw-on	Drilling distances – front – EXPANDO front	Installation dimensions – back

Screw position – cabinet profiles

Nominal length NL (mm)

450	
500	
550	
600	
650	

Dimensions shown: 32, 96, 32, 224, 37, 480, 32, 96, 9.

Internal cabinet depth LT min. = nominal length NL + 3 mm

Cutting – 16 mm chipboard

Labels: B₁, B₂, Back (84 mm), Base (Chipboard back, NL – 24 mm), Centre piece (71 mm), LW (Internal cabinet width), KB (Cabinet width), Y₁, Y₂, X, A (SPW + 63), C (SPW + 75).

Y min. (mm)	TIP-ON BLUMOTION	Y max. (mm)
48	75	225

Drilling distances – centre piece

Page instructions

Overview – TANDEMBOX intivo	271	Accessories	291	Assembly, removal and adjustment
Overview – SERVO-DRIVE for LEGRABOX TANDEMBOX	379	Cabinet profile fixing positions	295	
TIP-ON BLUMOTION for TANDEMBOX	372	Overview – assembly devices	595	
Overview – ORGA-LINE for TANDEMBOX	551	More technical details	686	
CABLOXX	586			
Design element	290			
Cutting – design element	290			

Short-URL
www.blum.com/a340

Box systems



- ▶ TANDEMBOX intivo
- ▶▶ Sink cabinet



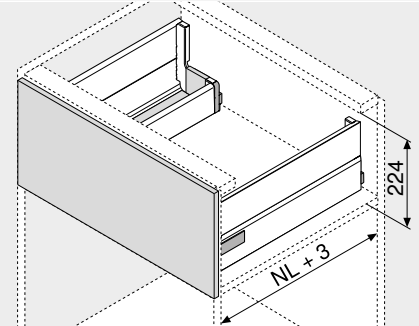
High fronted pull-out – BOXCAP – D

Webcode
DQBZ7Y



- Can be combined with standard components
- With BOXCAP
- Concealed, guided full extension – unsurpassed running action – for the lifetime of the furniture
- 3-dimensional front adjustment
- Includes integrated **BLUMOTION** for silent and effortless closing action, can be combined with **SERVO-DRIVE**
- Either with **TIP-ON BLUMOTION** for handle-less furniture, or even for furniture with handle elements as a design feature

Space requirement



NL Nominal length

Order information

1		Cabinet profiles left/right	
		BLUMOTION	
Nominal length		Dynamic carrying capacity (kg)	
NL (mm)		30	65
450		578.4501B	
500		578.5001B	
550		578.5501B	
600		578.6001B	576.6001B
650			576.6501B

2		Left/right drawer sides exterior	
		Material	Steel
Nominal length		Colour	
NL (mm)		SW TS	
450		378L4502SA	
500		378L5002SA	
550		378L5502SA	
600		378L6002SA	
650		378L6502SA	

Incl. cover caps (Can be individually printed – minimum order quantity 1000 items)

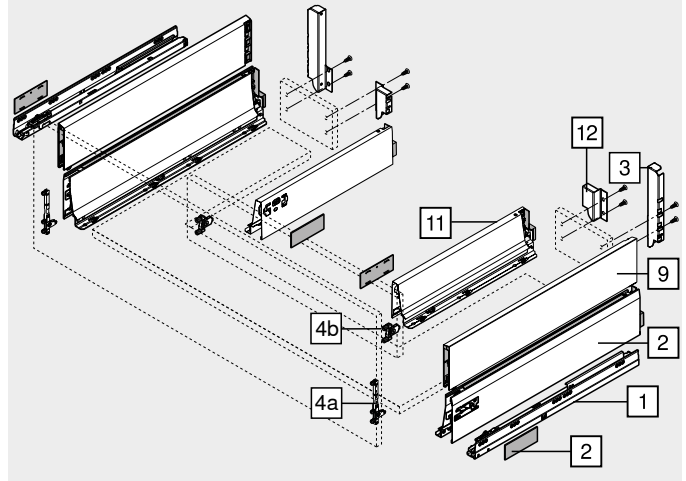
3		Sink back fixing, left/right	
		Colour	Material
		SW TS	Steel
			Part no.
			Z30D000S.22

4a		Front fixing bracket	
		Fixing method	Part no.
		Screw-on	2 x ZSF.5220
		EXPANDO	2 x ZSF.532E

4b		Front fixing bracket	
		Fixing method	Part no.
		INSERTA	2 x ZSF.39A2
		Screw-on	2 x ZSF.35A2
		Knock-in	2 x ZSF.36A2

9		BOXCAP left/right	
		Colour	
Nominal length		SW TS	
NL (mm)			
450		Z37L440S.D	
500		Z37L490S.D	
550		Z37L540S.D	
600		Z37L590S.D	
650		Z37L640S.D	

@ | ☎ Check product availability

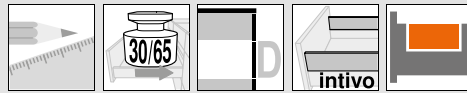


11		Left/right drawer sides interior	
		Colour	
Nominal length		SW TS	
NL (mm)			
270		378M2702SA	
300		378M3002SA	
350		378M3502SA	
400		378M4002SA	
450		378M4502SA	
500		378M5002SA	

Incl. cover caps (Can be individually printed – minimum order quantity 1000 items)
For effective use of storage space, we recommend
 Nominal length NL drawer sides exterior (no 2) – nominal length NL drawer sides interior (no 11) = min. 150 mm

12		Back fixing left/right	
		Colour	Material
		SW TS	Steel
			Part no.
			Z30M000S.04

Colour		Colour	
SW	Silk white	TS	Terra black



High fronted pull-out – BOXCAP – D

Webcode
DQBZ7Y

Planning

Space requirement in cabinet	Installation dimensions – front – screw-on	Drilling distances – front – EXPANDO front	Installation dimensions – back
	<p>FA Front overlay</p>		

Screw position – cabinet profiles

Nominal length NL (mm)

450	
500	
550	
600	
650	

Dimensions: 32, 96, 32, 224, 32, 37, 480, 32, 96, 9

Internal cabinet depth LT min. = nominal length NL + 3 mm

Cutting – 16 mm chipboard

Back: 84 mm

Base: Chipboard back, NL – 24 mm

Centre piece: 71 mm

Y min. (mm)	TIP-ON BLUMOTION	Y max. (mm)
48	75	225

Drilling distances – centre piece

Page instructions

Overview – TANDEMBOX intivo	271	Overview – assembly devices	595	Assembly, removal and adjustment	
Overview – SERVO-DRIVE for LEGRABOX TANDEMBOX	379	More technical details	686		
TIP-ON BLUMOTION for TANDEMBOX	372			Short-URL www.blum.com/a340	
Overview – ORGA-LINE for TANDEMBOX	551				
CABLOXX	586				
Accessories	291				
Cabinet profile fixing positions	295				