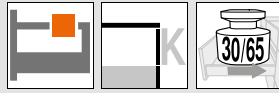


Box systems

blum

- ▶ TANDEMBOX antaro
- ▶▶ Standard cabinet



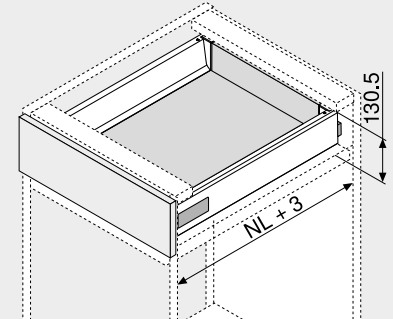
Drawer – K

Webcode
DQC3FY



- Concealed, guided full extension – unsurpassed running action – for the lifetime of the furniture
- Tool-free front assembly
- 2-dimensional front adjustment
- Includes integrated **BLUMOTION** for silent and effortless closing action, can be combined with **SERVO-DRIVE**
- Either with **TIP-ON BLUMOTION** for handle-less furniture, or even for furniture with handle elements as a design feature

Space requirement



NL Nominal length

Order information

1 Cabinet profiles left/right	
BLUMOTION	
Nominal length	Dynamic carrying capacity (kg)
NL (mm)	30 65
270	578.2701B
300	578.3001B
350	578.3501B
400	578.4001B
450	578.4501B 576.4501B
500	578.5001B 576.5001B
550	578.5501B 576.5501B
600	578.6001B 576.6001B
650	576.6501B

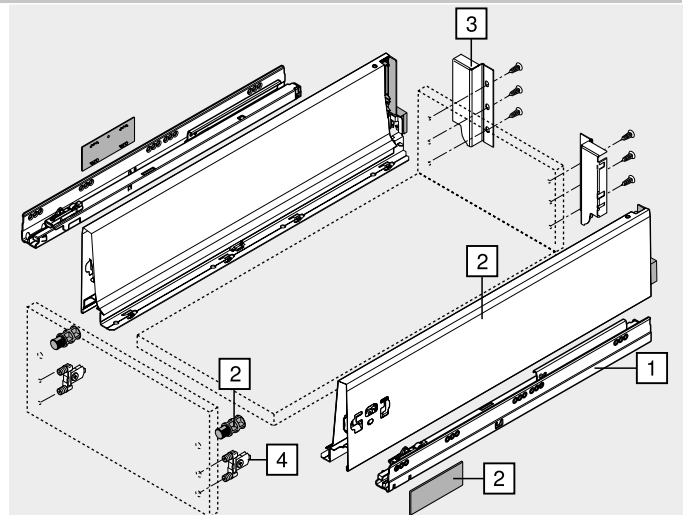
2 Left/right drawer sides	
Material Steel	
Colour	
Nominal length	SW TS R9006
NL (mm)	
270	378K2702SA
300	378K3002SA
350	378K3502SA
400	378K4002SA
450	378K4502SA
500	378K5002SA
550	378K5502SA
600	378K6002SA
650	378K6502SA

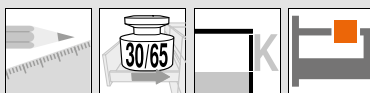
Incl. cover caps (Can be individually printed – minimum order quantity 1000 items) and positioning dowel

3 Back fixing left/right			
Colour	Material	Part no.	
SW TS R9006	Steel	Z30K000S	

4 Front fixing bracket			
Fixing method			Part no.
INSERTA	2 x	ZSF.39A2	
Screw-on	2 x	ZSF.35A2	
Knock-in	2 x	ZSF.36A2	

Colour		Colour	
SW	Silk white	R9006	RAL 9006 grey (white aluminium)
TS	Terra black		





Drawer – K

Webcode
DQC3FY

Planning

Space requirement in cabinet	Installation dimensions – front – screw-on	Drilling distances – front – INSERTA knock-in	Installation dimensions – back
	<p>FA Front overlay</p>		

Screw position – cabinet profiles

Nominal length NL (mm)	Diagram
270	
300	
350	
400	
450	
500	
550	
600	
650	

Internal cabinet depth LT min. = nominal length NL + 3 mm
* Line drilling only with 578.4501B (30 kg)

Cutting – 16 mm chipboard

Diagram	Dimensions	Material
	Back: 116 mm LW – 87 mm	Chipboard back
	Base: NL – 24 mm Steel back: NL – 22 mm LW – 75 mm	Steel back

KB Cabinet width
LW Internal cabinet width
NL Nominal length

Page instructions

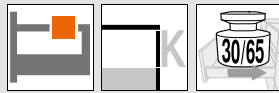
Overview – TANDEMBOX antaro	297	Cabinet profile fixing positions	342	Assembly, removal and adjustment
Overview – SERVO-DRIVE for LEGRABOX TANDEMBOX	379	Overview – assembly devices	595	
TIP-ON BLUMOTION for TANDEMBOX	372	More technical details	686	
Overview – ORGA-LINE for TANDEMBOX	551			
CABLOXX	586			Short-URL www.blum.com/a350
Accessories – steel back	336			
Accessories	334			



Box systems

blum

- ▶ TANDEMBOX antaro
- ▶▶ Standard cabinet



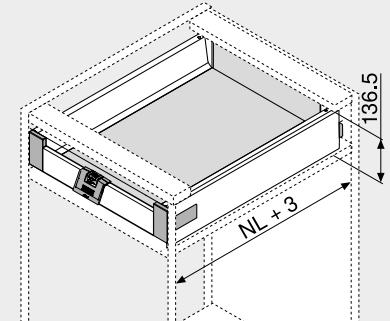
Inner drawer – K

Webcode
DQC4UM



- Concealed, guided full extension – unsurpassed running action – for the lifetime of the furniture
- Tool-free front assembly
- Includes integrated **BLUMOTION** for silent and effortless closing action, can be combined with **SERVO-DRIVE**
- Either with **TIP-ON BLUMOTION** for handle-less furniture, or even for furniture with handle elements as a design feature
- Inner drawers either with handle or handle and latch

Space requirement



NL Nominal length

Box systems

Order information

1	Cabinet profiles left/right	
	BLUMOTION	
Nominal length	Dynamic carrying capacity (kg)	
NL (mm)	30	65
270	578.2701B	
300	578.3001B	
350	578.3501B	
400	578.4001B	
450	578.4501B	576.4501B
500	578.5001B	576.5001B
550	578.5501B	576.5501B
600	578.6001B	576.6001B
650		576.6501B

2	Left/right drawer sides	
	Material	Steel
Nominal length	Colour	
NL (mm)	SW TS R9006	
270	378K2702SA	
300	378K3002SA	
350	378K3502SA	
400	378K4002SA	
450	378K4502SA	
500	378K5002SA	
550	378K5502SA	
600	378K6002SA	
650	378K6502SA	

Incl. cover caps (Can be individually printed – minimum order quantity 1000 items) and positioning dowel

3	Back fixing left/right		
	Colour	Material	Part no.
	SW TS R9006	Steel	Z30K000S

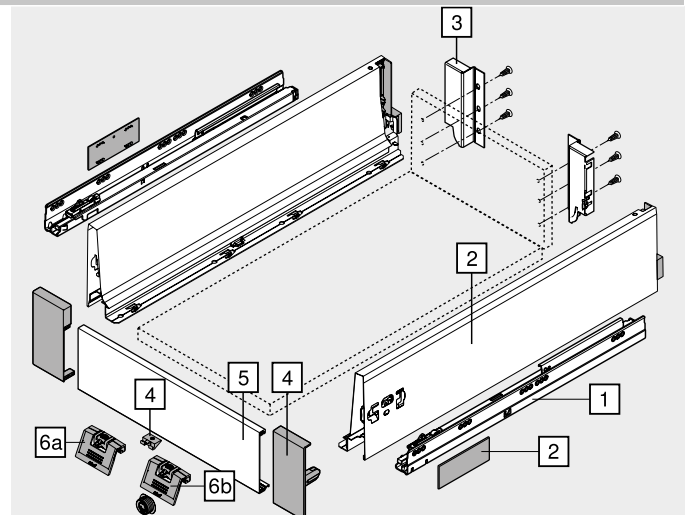
4	Front fixing left/right		
	Colour	Material	Part no.
	SW S WGR	Nylon	ZIF.71K0

Composed of:

4	1 x Front fixing left/right
4	1 x Locking piece – Z31A0008

5	Front piece without groove		
	Colour	Length (mm)	Part no.
	SW TS R9006	1036	Z31L1036A

Cutting Internal cabinet width LW – 132 mm



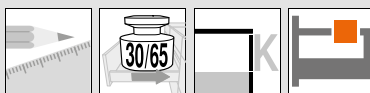
a Accessories

6a	Handle		
	Colour	Material	Part no.
	SW S WGR	Nylon	ZIF.80M5

Alternative to 6a

6b	Handle and latch		
	Colour	Material	Part no.
	SW S WGR	Nylon	ZIF.80M7

Colour		Colour	
SW	Silk white	S	Black
TS	Terra black	WGR	White grey
R9006	RAL 9006 grey (white aluminium)		



Inner drawer – K

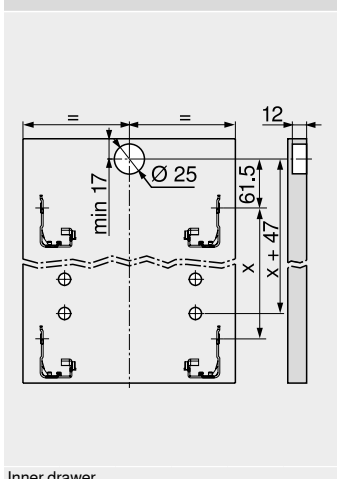
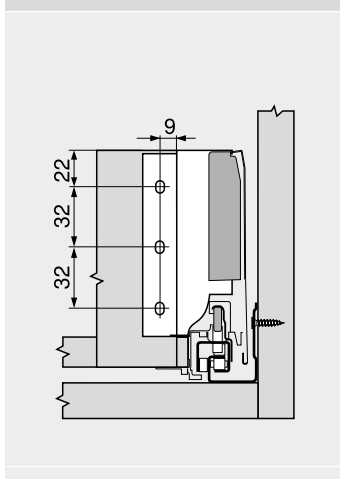
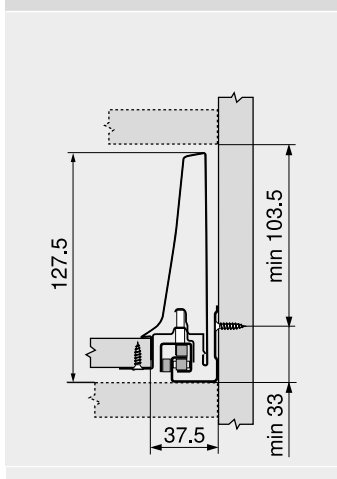
Webcode
DQC4UM

Planning

Space requirement in cabinet

Installation dimensions – back

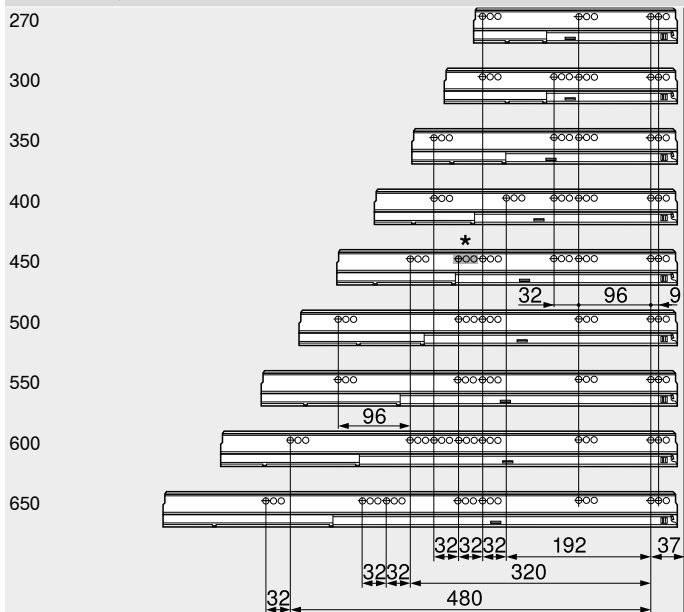
Drilling distances – front – latch



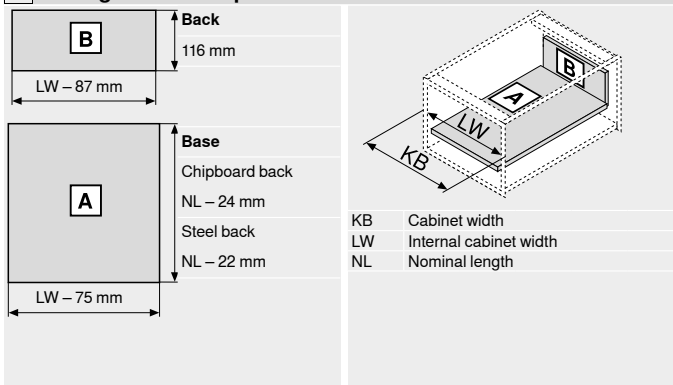
Inner drawer

Screw position – cabinet profiles

Nominal length NL (mm)



Cutting – 16 mm chipboard



Page instructions

Overview – TANDEMBOX antaro	297	Cabinet profile fixing positions	342	Assembly, removal and adjustment
Overview – SERVO-DRIVE for LEGRABOX TANDEMBOX	379	Overview – assembly devices	595	
TIP-ON BLUMOTION for TANDEMBOX	372	More technical details	686	
Overview – ORGA-LINE for TANDEMBOX	551			Short-URL
CABLOXX	586			www.blum.com/a350
Accessories – steel back	336			
Accessories	334			

