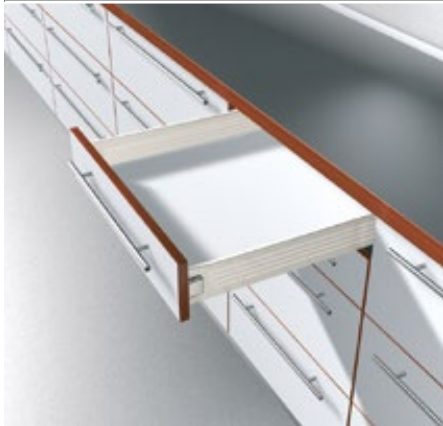


Box systems

- ▶ METABOX
- ▶▶ Single extension



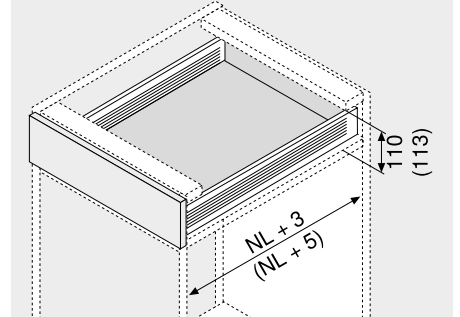
Drawer/inner drawer – M



- Single extension with 86 mm high
- Drawer sides made from steel
- High impact nylon rollers
- Dyn. load bearing 25 kg
- BLUMATIC self closing feature
- 2-dimensional front adjustment

Webcode	Drawer	Inner drawer
	DQCL1A	DQCNUM

Space requirement



NL Nominal length
() Inner drawer

Order information

1	Cabinet profiles and drawer sides left/right		
	Colour	R9001	
Nominal length	Version		
NL (mm)	Screw-on version	Quick assembly version	
270	320M2700C	320M2700C15	
350	320M3500C	320M3500C15	
400	320M4000C	320M4000C15	
450	320M4500C	320M4500C15	
500	320M5000C	320M5000C15	
550	320M5500C	320M5500C15	

Other colours available upon request (white or grey)

2a	CLIP front fixing brackets		
	Fixing	Part no.	
	Screw-on	ZSF.1200	
	Knock-in	ZSF.1300	
	EXPANDO	ZSF.130E	

Order left/right

2b	Cover caps for 2a		
	Colour	Material	Part no.
	R9001	Nylon	ZAA.3700

Order left/right

Alternative to 2a			
2c	Standard front fixing brackets left		
	Fixing	Part no.	
	Screw-on	ZSF.1700	
	Knock-in	ZSF.1800	

Order left/right

2d	Cover caps for 2c		
	Colour	Material	Part no.
	R9001	Nylon	2 x ZAA.3500

3	Front fixing for inner drawers		
	Colour	Material	Part no.
	R9001	Nylon	ZIF.3000

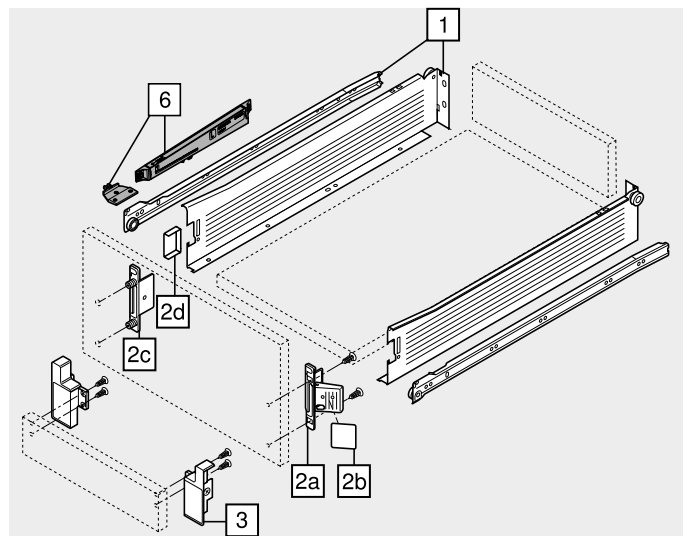
Order left/right

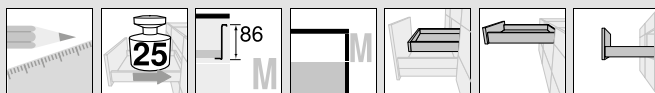
Colour	Colour
R9001 RAL 9001 cream	WGR White grey

a Accessories

6	BLUMOTION for METABOX 320		
	Colour	Material	Part no.
	WGR/R9001	Nylon	Z70.0320

Other colours available for latch upon request (white or grey)





Drawer/inner drawer – M

Webcode

Drawer

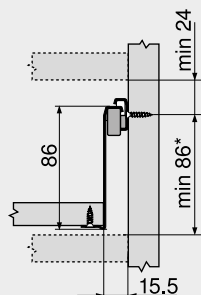
Inner drawer

DQCL1A

DQCNUM

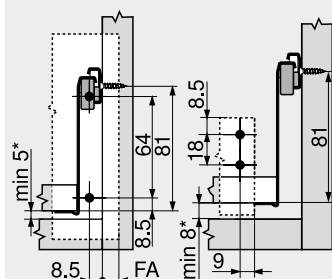
Planning

Space requirement in cabinet



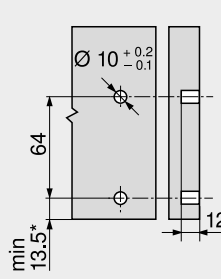
Installation dimensions – front – screw-on

Drawer Inner drawer

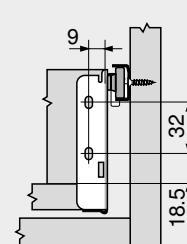


Drilling distances – front – EXPANDO/knock-in

Drawer



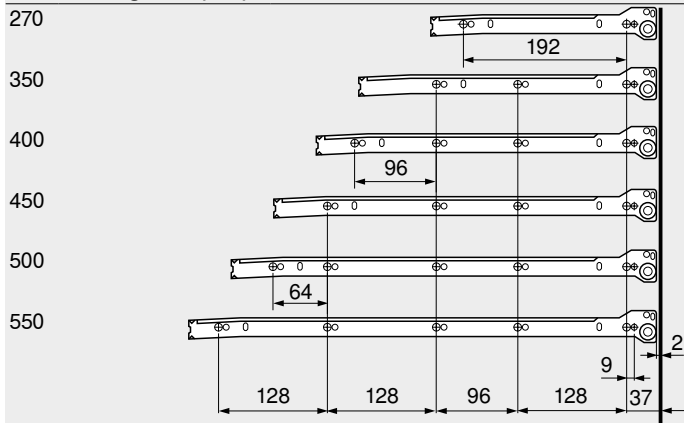
Installation dimensions – back



- * +2 mm with BLUMOTION FA Front overlay
- * +3 mm for inner drawer with BLUMOTION

Screw position – cabinet profiles

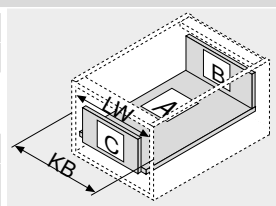
Nominal length NL (mm)



Drawer
Internal cabinet depth LT min. = nominal length NL + 3 mm
Inner drawer
Internal cabinet depth LT min. = nominal length NL + 5 mm

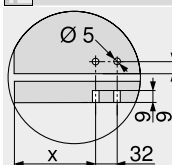
Cutting – 16 mm chipboard

B	Back 71 mm
LW – 31 mm	
A	Base Drawer NL – 2 mm Inner drawer NL – 18 mm
LW – 31 mm	
C	Front Inner drawer 61 mm
LW – 64 mm	



KB Cabinet width
LW Inner cabinet width
NL Nominal length

Base assembly for quick assembly version



	X (mm)
Drawer	69
Inner drawer	53

Page instructions

Overview – METABOX	397
Accessories	412
BLUMOTION for METABOX 320	415
Cabinet profile fixing positions	420
Assembly, removal and adjustment	421
Overview – assembly devices	683
More technical details	774