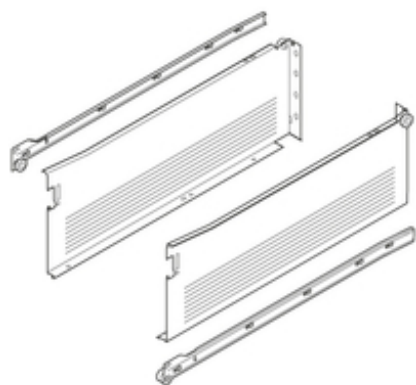


Product details

METABOX steel side H (150 mm), single extension, 25 kg, NL=550 mm, screw-on vers., left/right



| | |
|----------------------------|---------------|
| Part number | 320H5500C |
| Item number | 07508673 |
| Colour / finish | R9001 cream |
| Packaging quantity | 5 |
| Weight per 1,000 Pcs in kg | 2,581.26 |
| EAN code | 9002617184570 |
| UPC code | |

Technical attributes

| Attribute | Value |
|-----------------------------------|-----------------------------|
| METABOX type | METABOX steel side |
| Design | C |
| Nominal Length | 550 |
| Drawer side height | H (150 mm) |
| connection drawer side to frontal | Front fixing bracket |
| connection drawer side to back | screw-on or quick-fix |
| length of cabinet profile | 550 |
| cabinet profile fixing | with screws |
| Finish cabinet profile | RAL 9001 cream |
| length drawer side/drawer profile | 550 |
| drawer side/drawer profile fixing | screw-on vers. |
| finish drawer side/drawer profile | RAL 9001 cream |
| stay-open stop | Yes |
| minimum internal cabinet depth | 554 |
| Actual loss of extension | 92 |
| Additional features | For optional part BLUMOTION |
| Item package | Set |
| packaging | Multipack |
| drawer type | Single extension |
| Mounting width | 15.5 |
| dynamic load bearing | 25 |