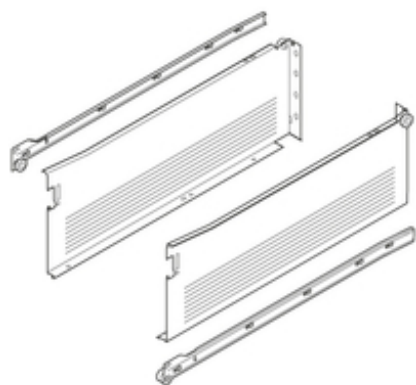


## Product details

METABOX steel side H (150 mm), single extension, 25 kg, NL=450 mm, screw-on vers., left/right



Part number	320H4500C
Item number	07508413
Colour / finish	R9001 cream
Packaging quantity	5
Weight per 1,000 Pcs in kg	2,106.37
EAN code	9002617184556
UPC code	

## Technical attributes

Attribute	Value
METABOX type	METABOX steel side
Design	C
Nominal Length	450
Drawer side height	H (150 mm)
connection drawer side to frontal	Front fixing bracket
connection drawer side to back	screw-on or quick-fix
length of cabinet profile	450
cabinet profile fixing	with screws
Finish cabinet profile	RAL 9001 cream
length drawer side/drawer profile	450
drawer side/drawer profile fixing	screw-on vers.
finish drawer side/drawer profile	RAL 9001 cream
stay-open stop	Yes
minimum internal cabinet depth	454
Actual loss of extension	77
Additional features	For optional part BLUMOTION
Item package	Set
packaging	Multipack
drawer type	Single extension
Mounting width	15.5
dynamic load bearing	25