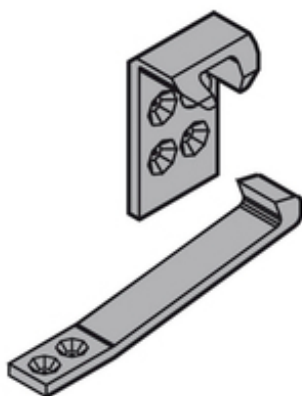


Product details

Lock-open stop



Part number	295.5600
Item number	03965251
Colour / finish	White
Packaging quantity	50 / 250
Weight per 1,000 Pcs in kg	10.26
EAN code	9002617501803
UPC code	

Technical attributes

Attribute	Value
type of safety device	Lock-open stop
manufacturing type of component	injection-molded components
Material	Nylon
Colour / finish	White
safety mechanism	hook
fixing of safety element	screw-on
Item package	1 piece
packaging	Commercial packing