

ROSSOMANIGLIE

MADE IN ITALY

RM040

TECHNICAL SPECIFICATION



CODE

FINISH

RM040CP

Polished Chrome

RM040SC

Satin Chrome

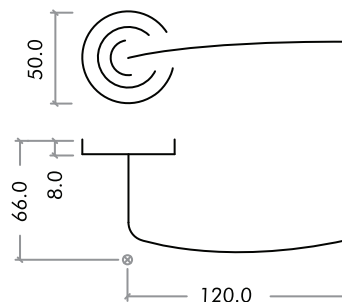
SPECIFICATIONS





- Italian Design & Manufacture
- Zinc Base Material
- 50 x 8mm Sprung Round Rose
- Fixings included
- Suitable for 35 - 54mm Thickness Timber Doors

SUITABLE



DIMENSIONS



CODE	DESCRIPTION	FINISHES	ADDITIONAL INFO.
RM040	Cygnus Lever on Round Rose	CP / SC	Sprung Rose
 FROM 		  <small>URS is a member of Registrar of Standards (Holdings) Ltd.</small>	