

Zwei L STAINLESS STEEL DOOR HANDLE



ZL-1502

HANDLES,
PULLS & KNOBS

STAINLESS STEEL DOOR HANDLE



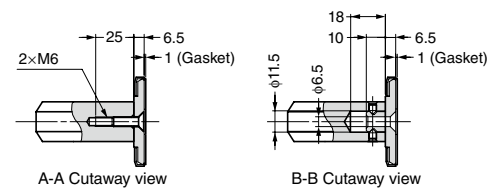
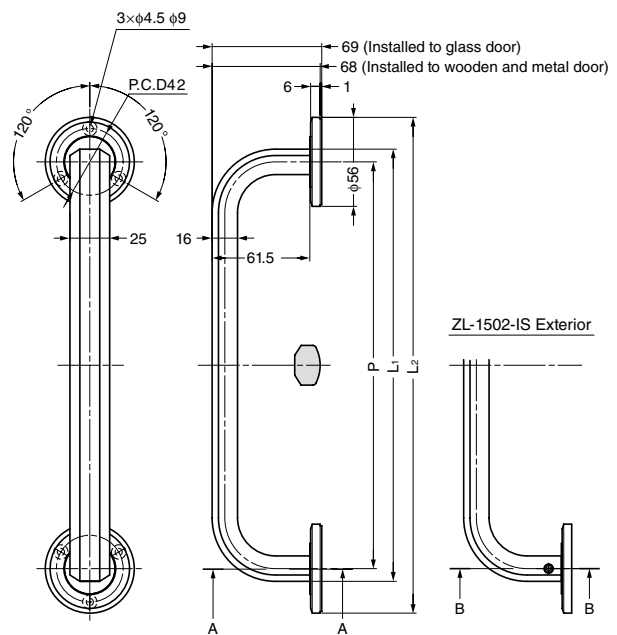
Features

- Made of highly corrosion resistant SUS316
- Ultrapremium Zwei L finish. Zwei L finish: Using top class polishing technology, these products combine the elegance of Satin with the deep glow of a Mirror.
- Can be installed on both sides of glass, metal or wooden doors. Can also be installed on a single side of glass, wood or metal doors. Please refer to the door handle sets below.
- The ZL-1502 is generally installed with the circle bracket but can also be installed without it.
- Dual side handle sets use ZL-1502-WR and are attached by ZL-1502-OS (for the outside) and ZL-1502-IS (for the inside)

Remarks

- Screws are not included in ZL-1502-OS and ZL-1502-IS.
- Bore holes with ± 1 mm tolerance.

ZL-1502-OS Interior



Item Code	Item Name	Type	Material	Finish	L ₁	L ₂	P
100-177-034	ZL-1502-OS-192	Exterior	Stainless Steel (SUS316)	Zwei L Finish	208	248	192
100-177-038	ZL-1502-IS-192	Interior	Stainless Steel (SUS316)	Zwei L Finish	208	248	192
100-170-296	ZL-1502-WR-192	Back-to-Back with Base	Stainless Steel (SUS316)	Zwei L Finish	208	248	192
100-177-035	ZL-1502-OS-320	Exterior	Stainless Steel (SUS316)	Zwei L Finish	336	376	320
100-177-039	ZL-1502-IS-320	Interior	Stainless Steel (SUS316)	Zwei L Finish	336	376	320
100-170-297	ZL-1502-WR-320	Back-to-Back with Base	Stainless Steel (SUS316)	Zwei L Finish	336	376	320
100-177-036	ZL-1502-OS-640	Exterior	Stainless Steel (SUS316)	Zwei L Finish	656	696	640
100-177-040	ZL-1502-IS-640	Interior	Stainless Steel (SUS316)	Zwei L Finish	656	696	640
100-170-298	ZL-1502-WR-640	Back-to-Back with Base	Stainless Steel (SUS316)	Zwei L Finish	656	696	640
100-177-037	ZL-1502-OS-960	Exterior	Stainless Steel (SUS316)	Zwei L Finish	976	1016	960
100-177-041	ZL-1502-IS-960	Interior	Stainless Steel (SUS316)	Zwei L Finish	976	1016	960
100-170-299	ZL-1502-WR-960	Back-to-Back with Base	Stainless Steel (SUS316)	Zwei L Finish	976	1016	960