

## Zwei L

**Zwei L** is the flagship brand of Sugatsune and represents premium Japanese hardware quality.

**Zwei L** stands for "Zwei Lichter" in German: a dual highlight of mirror finish and lustrous satin on a faceted profile.

Manufactured from solid billets of the finest quality 316 stainless steel, **Zwei L** brings the space luxury and dazzles your eyes.

Video Link



# Zwei L®

## Zwei L STAINLESS STEEL PUSH KNOB

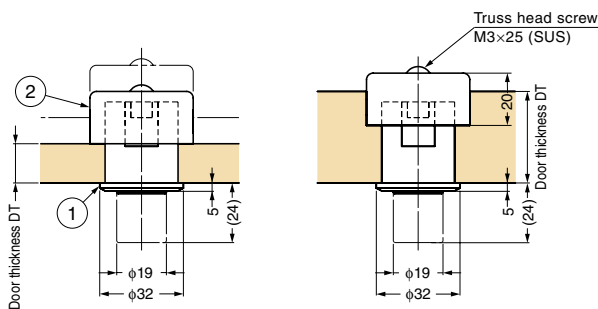


### ZL-1908



Door Thickness 13-23 mm

Door Thickness 24-33 mm



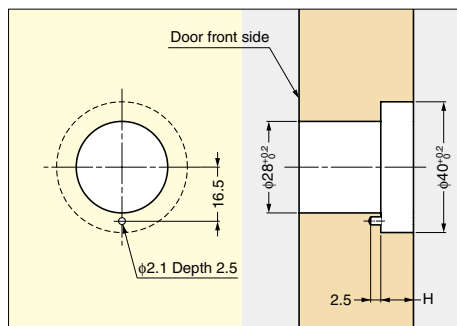
### Features

- By pressing in the knob, can become flat and flush with its surroundings, giving doors a seamless appearance. This also makes it safer by removing the chance of clothes getting caught or people walking into a protrusion from the door.
- Ultrapremium Zwei L finish. Zwei L finish: Using top class polishing technology, these products combine the elegance of Satin with the deep glow of a Mirror.

### Parts Included

Truss head screw M3x25 (SUS)

### Cut Out Dimensions



No.	Part Name	Material	Finish/Colour
①	Knob Body	Stainless Steel (SUS316)	Zwei L Finish
②	Knob Cap	ABS	Black

Item Code	Item Name	Door Thickness (DT)	Bore Depth H	Weight	Box
100-011-033	ZL-1908	13 - 33	DT 13 - 23: H=None (φ28 Hole), DT 24 - 33: H=DT-23	134 g	1 pc