

Zwei L

Zwei L is the flagship brand of Sugatsune and represents premium Japanese hardware quality.

Zwei L stands for "Zwei Lichter" in German: a dual highlight of mirror finish and lustrous satin on a faceted profile.

Manufactured from solid billets of the finest quality 316 stainless steel, Zwei L brings the space luxury and dazzles your eyes.

Video Link

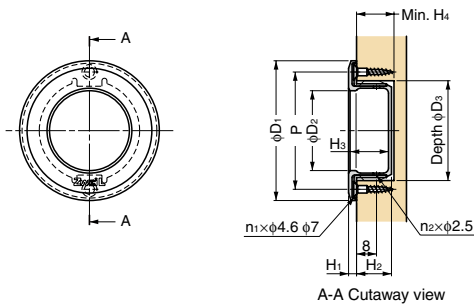


Zwei L®

Zwei L STAINLESS STEEL RECESSED PULL



ZL-2501



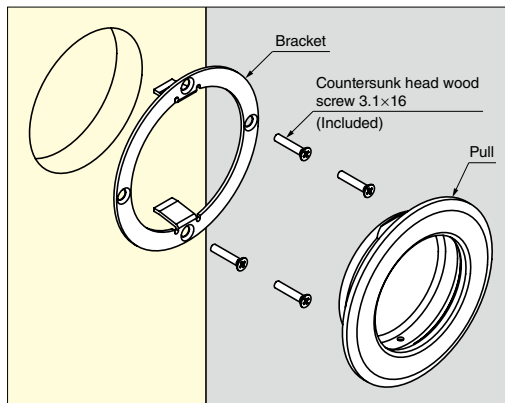
Features

- Ultrapremium Zwei L finish. Zwei L finish: Using top class polishing technology, these products combine the elegance of Satin with the deep glow of a Mirror.
- Product has an inner recessed area which can be grabbed by hand.

Parts Included

Countersunk head wood screw 3.1×16 (SUS)

Installation



Please insert the pull after installation of the bracket with screws.

(This picture refers to ZL-2501-56)

Item Code	Item Name	Material	Finish	D ₁	D ₂	D ₃	H ₁	H ₂	H ₃	H ₄	P	n ₁	n ₂	Weight
100-011-034	ZL-2501- 56	Stainless Steel (SUS316)	Zwei L Finish	56	32	40	3.2	14	16	15	47	2	2	93 g
100-011-035	ZL-2501- 80	Stainless Steel (SUS316)	Zwei L Finish	80	50	62	4	14	16.5	15	70	4	2	196 g
100-011-036	ZL-2501-125	Stainless Steel (SUS316)	Zwei L Finish	125	80	100	5	16	20	17	112	4	4	610 g