

Zwei L STAINLESS STEEL KNOB



ZL-1906

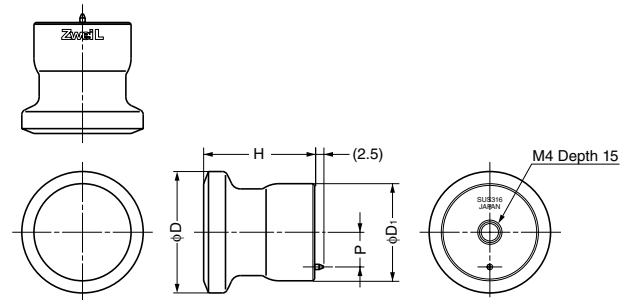


Features

- Made of highly corrosion resistant SUS316
- Ultrapremium Zwei L finish. Zwei L finish: Using top class polishing technology, these products combine the elegance of Satin with the deep glow of a Mirror.
- Can be used on either wood or tempered glass.
- ZL-1503 is a door knob with the same type of design.

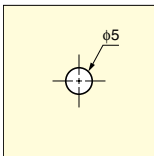
Parts Included

- For wooden doors : 16 - 23 mm : Screw M4x28 (SUS)
- For glass doors : 4, 5, 6 mm : Screw M4x16 (SUS)
- Gasket

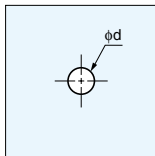


Cut Out Dimensions

Wooden doors



Glass doors



Thickness 4, 5 : d=5
Thickness 6 : d=6

Item Code	Item Name	Material	Finish	H	D	D ₁	P	Weight
100-011-019	ZL-1906-20	Stainless Steel (SUS316)	Zwei L Finish	20	20	16	5	32 g
100-011-018	ZL-1906-28	Stainless Steel (SUS316)	Zwei L Finish	26	28	22.5	8	83 g
100-011-017	ZL-1906-36	Stainless Steel (SUS316)	Zwei L Finish	32	36	28	10	165 g

DUAL-SIDED KNOB FOR GLASS



GT-40CR

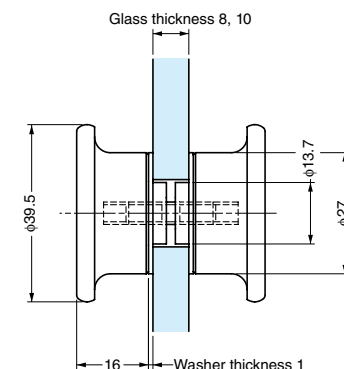


Features

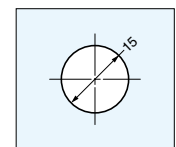
- Glass knob recommended for use in places like showers and bathrooms.

Parts Included

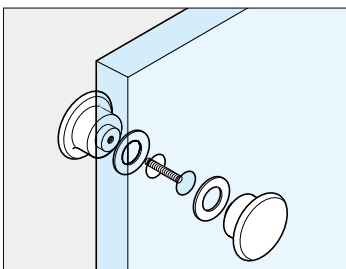
- PVC washers
- Screw M5 (SUS)



Cut Out Dimension



Installation



Item Code	Item Name	Material	Finish	Glass Thickness	Weight	Box	Carton
100-019-767	GT-40CR	Brass	Chrome	8, 10	215 g	6 pcs	48 pcs