

**Zwei L** is the flagship brand of Sugatsune and represents premium Japanese hardware quality.  
**Zwei L** stands for "Zwei Lichten" in German: a dual highlight of mirror finish and lustrous satin on a faceted profile.

Manufactured from solid billets of the finest quality 316 stainless steel,

**Zwei L** brings the space luxury and dazzles your eyes.

# Zwei L®



Video Link



## Zwei L STAINLESS STEEL DOOR KNOB



### ZL-1503

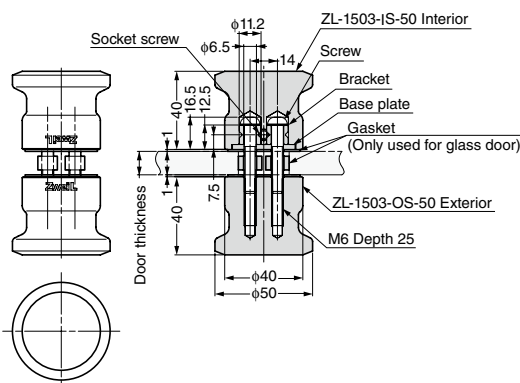


#### Features

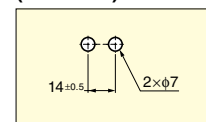
- Made of highly corrosion resistant SUS316
- Ultrapremium Zwei L finish. Zwei L finish: Using top class polishing technology, these products combine the elegance of Satin with the deep glow of a Mirror.

#### Parts Included

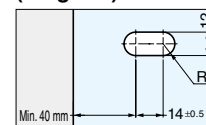
- Bolt set for door knob
- Allen key
- Gasket



#### Cut Out Dimensions (for wood)



#### Cut Out Dimensions (for glass)



Item Code	Item Name	Type	Material	Finish	Door Thickness	Weight
100-170-788	ZL-1503-IS-50	Interior Knob	Stainless Steel (SUS316)	Zwei L Finish	Wooden/Metal Frame: 36 - 48, Glass: 6, 8, 10, 12	413 g
100-170-787	ZL-1503-OS-50	Exterior Knob	Stainless Steel (SUS316)	Zwei L Finish	Wooden/Metal Frame: 36 - 48, Glass: 6, 8, 10, 12	507 g
100-011-032	ZL-1503-WN-50	Back-to-Back Knob	Stainless Steel (SUS316)	Zwei L Finish	Wooden/Metal Frame: 36 - 48, Glass: 6, 8, 10, 12	1015 g

## Zwei L STAINLESS STEEL DOOR KNOB

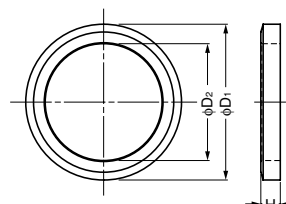


### ZL-2502



#### Features

- Made of highly corrosion resistant SUS316
- Ultrapremium Zwei L finish. Zwei L finish: Using top class polishing technology, these products combine the elegance of Satin with the deep glow of a Mirror.
- Installed using UV curing



Item Code	Item Name	Material	Finish	D <sub>1</sub>	D <sub>2</sub>	H	Weight
100-010-972	ZL-2502-56	Stainless Steel (SUS316)	Zwei L Finish	56	38	6	68 g
100-010-973	ZL-2502-80	Stainless Steel (SUS316)	Zwei L Finish	80	53	10	222 g