



3295-01-2 Straight Door Handle (Ikon Classic) Fitting Instructions

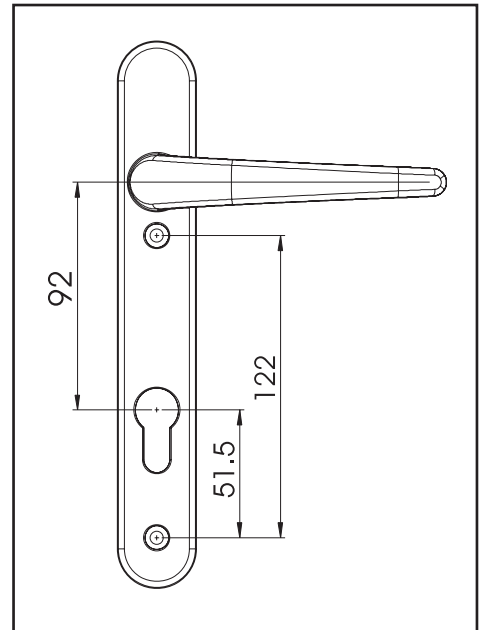
Installing a Straight Door Handle

To fit a Straight Door Handle you will require the following tools:

- Screwdriver
- Hacksaw

Caution: This handle is designed for a 92mm lock. Please check that the distance from the centre of the cylinder hole is 92mm (as shown in the diagram) and that the dimensions between the screw holes mirrors your current handle to ensure a good fit. Screws and spindles may need to be shortened.

- Insert the spindle supplied through the lock mechanism so that an equal amount of spindle protrudes on each side of the door.
- Place the spring cassette over the square hole in the back of the two parts of the handle.
- The handle with the two screw fixing holes should be placed on the inside of the door with the lever facing towards the door hinges. Ensure that the lever is held at a 90° angle and push onto the square spindle.
- Repeat for the external half of the handle, ensuring the spindle does not move.
- Insert the two countersunk screws into the holes on the internal handle and screw together, taking care not to over tighten.



Additional Information

Maintenance - The handle should be lightly lubricated twice a year and the surface cleaned with a soft damp cloth to remove any dust or grime, taking care not to scratch the surface finish.