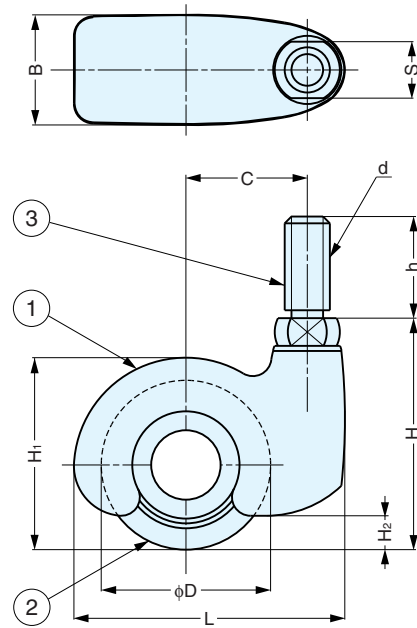


DESIGN CASTER (THREADED BOLT TYPE)

PL

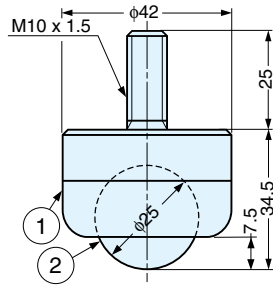


No.	Part Name	Material	Finish
①	Body	Polyamide	Black
②	Wheel		
③	Threaded Bolt	Steel	Yellow Zinc Chromate

Item No.	D	L	H	H ₁	H ₂	h	B	C	S	d	Load Capacity (kg)	Weight (g)	Box (pcs)	Carton (pcs)
PL40N10	40	64	53	45	7.5	20	22.5	29.5	13	M10x1.5	40	83	8	19

PLASTIC CASTER

NT



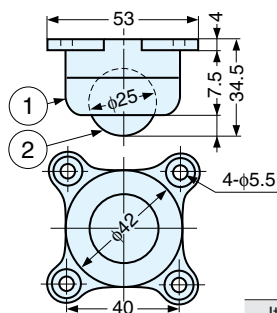
• Inside ball bearing made out of steel

No.	Name of Parts	Material	Color
①	Main body part	Polyamide	Brown
②	Ball	Melamine resin	Ivory

Item No.	Load Capacity (kg)	Weight (g)	Box quantity (pcs)	Carton (pcs)
NT-25	25	58	20	200

PLASTIC CASTER

NS



• Inside ball bearing made out of steel

No.	Name of Parts	Material	Color
①	Main body part	Polyamide	Brown
②	Ball	Melamine resin	Ivory

Item No.	Load Capacity (kg)	Weight (g)	Box quantity (pcs)	Carton (pcs)
NS-25	25	43	20	200