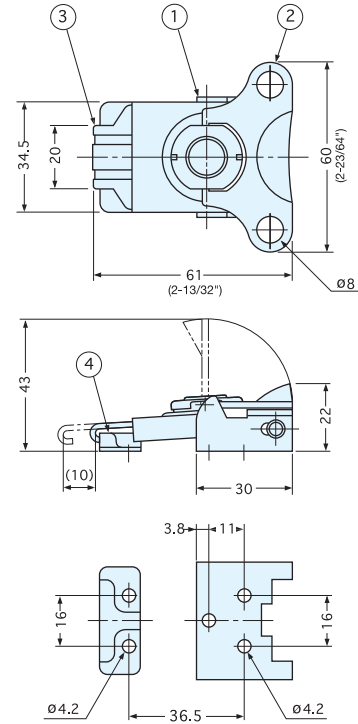
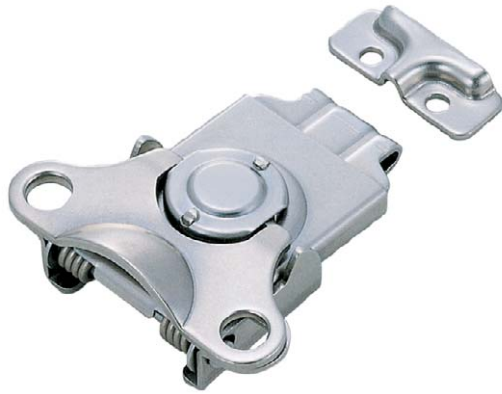


DRAW LATCH



P-102H/SS



No.	Part Name	Material	Finish
①	Body	304 Stainless Steel	Polished
②	Lever		
③	Hook	430 Stainless Steel	
④	Counterplate	304 Stainless Steel	

Item No.	Weight (g)	Box (pcs)	Carton (pcs)
P-102H/SS	85	60	600

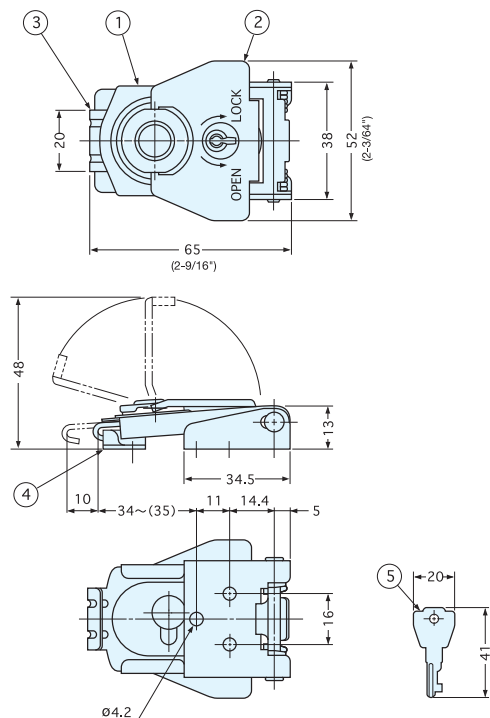
DRAW LATCH



P-1040/SS



• Stainless draw latch with key.
Note: No key changes available.



No.	Part Name	Material	Finish
①	Body	304 Stainless Steel	Polished
②	Lever		
③	Hook	430 Stainless Steel	
④	Counterplate	304 Stainless Steel	
⑤	Key	Steel	Nickel

Item No.	Weight (g)	Box (pcs)	Carton (pcs)
P-1040/SS	105	60	240